

Aquative™

Suitable for operation in all applications - agriculture, landscape and industry (water supply system).



Energy saving



Long distance operation



3 position knob, On/Off/Auto

/ Benefits & Features

- Large orifice Enables smooth operation in tough water conditions
- Manual override Close / Auto / Open
- Very low energy consumption For maximal wire distance
- Options Optional NC (Normally Closed) or NO (Normally Open) configuration

/ Specifications & Recommendations

	AC Model	DC Model
Voltage	24VAC	12-40VDC
Pressure Range (No, Nc)	0 - 10 bar 0-140psi	
Ambient Temp. Max	60°C (140°F)	
Fluid Temp. Max	60°C (140°F)	
Filtration Requirements	80 mesh	
Inrush	90mA	-
Holding	75mA	-
Plastic Parts Raw Material	Reinforced Nylon	
Command Diaphragm Raw Material	EPDM	
Hydraulic Ports	1/8" BSP	
Leads	2 X AWG22 (1.2m)	
Delay from Command to Activation	2-5sec.	

→ Recommended Working Conditions Capacitor Mode - for DC Models

Voltage (VDC)	Capacitor (µF)	Min. Pulse (ms)
12-18	4,700	80
18-28	3,300	80
28-40	2,200	80

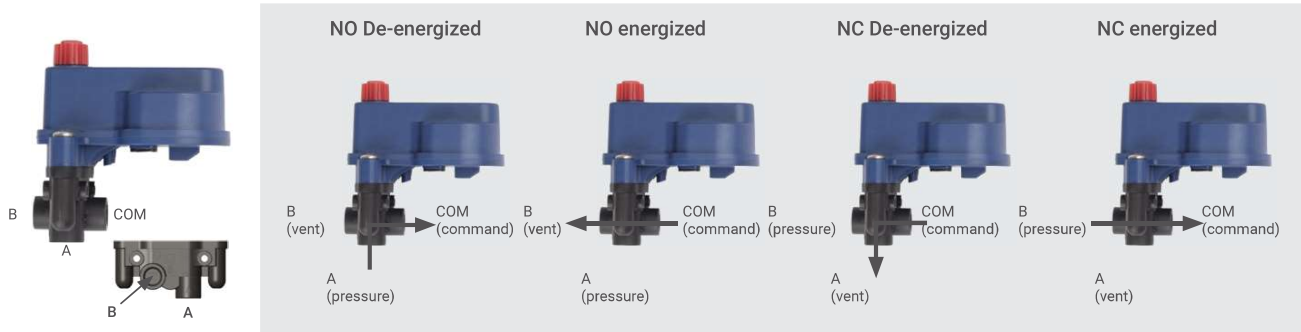
Two wires: red + / black - common, Changing wire connections will change NC to NO

→ Hydraulic Characteristics / Water Passage

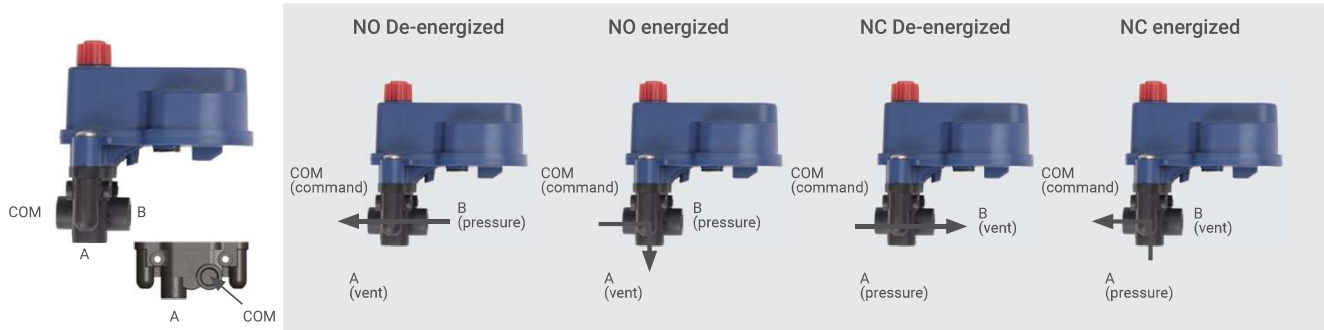
Model	Orifice (mm)
Aquative Plus™	2

→ Configuration

Configuration 1 - Standard



Configuration 2 - Non-Standard



→ Packaging Data

Model	Model Weight (gr)	Units per Carton	Carton Dimensions (cm x cm x cm)	Carton Weight (gr)
Aquative Plus (1 actuator)	147.5	50	28 x 28 x 56	7,375
Aquative Plus (2 actuator)	457.5	14		6,405
Aquative Plus (4 actuator)	783.5	8		6,268
Aquative Plus (6 actuator)	1,100	8		8,800

→ Maximum Distance from Controller to Aquative™

Cable Gauge (awg)	Diameter (mm)	Cross Section (mm²)	AC	DC
			Max. Distance (m)	Max. Distance (m)
24	0.5	0.2	600	-
20	0.8	0.5	1,250	150
18	1.0	0.8	2,000	-
17	1.1	1.0	2,500	240
16	1.3	1.3	3,500	-
15	1.4	1.5	5,000	380

→ Catalog Numbers

No. of Actuator(s)	Aquative Plus Config. 1		Aquative Plus Config. 2
	AC	DC	DC
1 w/o brackets	35500-001200	35500-001900	35500-001920
1 w/ brackets	35500-001300	35500-002000	-
2 w/ brackets	35500-001400	35500-002100	35500-000710
3 w/ brackets	35500-001500	35500-002200	35500-000711
4 w/ brackets	35500-001600	35500-002300	35500-000712
5 w/ brackets	35500-001700	35500-002400	35500-000713
6 w/ brackets	35500-001800	35500-002500	35500-000714
7 w/ brackets	35500-001360	35500-001361	35500-000715
8 w/ brackets	35500-001850	35500-002530	35500-000716
9 w/ brackets	35500-002531	35500-001860	35500-000717
10 w/ brackets	35500-001870	35500-002550	35500-000718

* Anchoring with 2 screws 10x1.5"
* Bracket material: Aluminum

G75 Solenoids

G75-A is suitable for operation in all applications - agriculture, landscape and industry (water supply system).

G75-A3P is specially designed for filtration systems and large-diameter control valves.



High corrosion & UV resistance



Large orifice



Versatility

/ Benefits & Features

- Large orifice G75-A – 1.2mm / G75-A3P – 2.6mm
- Versatility AC/DC/DCL, NO/NC configurations
- High corrosion & UV resistance Made from robust polymers materials
- 3W manual override Close / Auto / Open



G75-A



G75-A3P

/ Specifications & Recommendations

	G Model 75-A	Model G75-A3P
Voltage	24 VAC	12-18 VDC (latch)
Pressure Range	0 - 12 bar	0 - 10 bar
Ambient Temp. Max	50°C (122°F)	
Fluid Temp. Max	50°C (122°F)	
Filtration Requirements	80 mesh	
Inrush	125mA	-
Holding	125mA	-
Plastic Parts Raw Material	Reinforced Nylon	
Command Diaphragm Raw Material	EPDM	NBR
Hydraulic Ports	1/8" BSP/NPT	
Leads	2 X AWG22 (0.4m)	2 X AWG22 (0.3m)
Pulse Width	-	50ms
Protection Class	IP66	

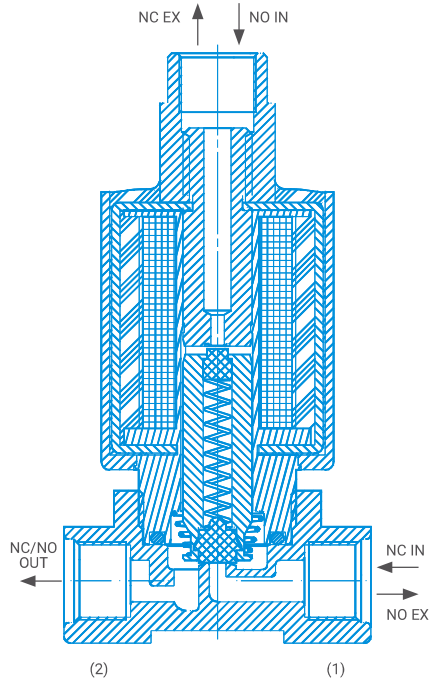
→ Recommended Working Conditions capacitor mode - for DC Models

Voltage (VDC)	Capacitor (µF)	Min. Pulse (ms)
12-18	4700	50
18-28	3300	50
28-40	2200	50

G75-A3P NC and NO has to have the same hydraulic connection ports
 G75-A3P Two wires: red / black (Polarity is restricted)
 G75-A NC and NO Ring: Black (Polarity is not restricted)

→ Configuration

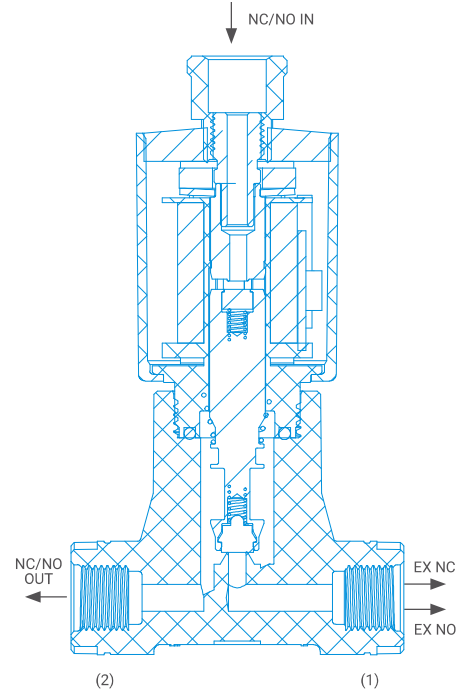
G75-A Model



→ Hydraulic Characteristics / Water Passage

Model	Orifice
G75-A	1.2
G75-A3P	2.6

G75-A3P Model



→ Max. Distance from Controller to G75 Solenoids

No. of Solenoids	1	2	3	4	Distance
Cross section (mm ²)	0.5	0.5	0.75	1.0	100m
	0.5	1.0	1.5	2.5	200m
	0.75	1.5	2.5	2.5	300m
	1.0	2.5	2.5	4.0	400m
	1.5	2.5	4.0	6.0	500m
	1.5	4.0	4.0	6.0	600m
	2.5	4.0	6.0	6.0	700m
	2.5	4.0	6.0		800m
	2.5	4.5	6.0		900m
	2.5	6.0			1000m

Wires cross-section selection for distance installation of G75 solenoids

→ Catalog Numbers

No. of Acuator(s)	G75-A		G75-A3P	
	AC	DC Latch (N.O)	DC Latch (N.C)	
1 w/ brackets	70800-006810	70800-006805	70800-006905	
2 w/ brackets	70800-006820	70800-006815	70800-006910	
3 w/ brackets	70800-006830	70800-006825	70800-006915	
4 w/ brackets	70800-006840	70800-006835	70800-006920	
5 w/ brackets	70800-006850	70800-006845	70800-006925	
6 w/ brackets	70800-006860	70800-006855	70800-006930	
7 w/ brackets	70800-006870	70800-006865	70800-006935	
8 w/ brackets	70800-006880	70800-006875	70800-006940	
9 w/ brackets	70800-006890	70800-006885	70800-006945	
10 w/ brackets	70800-006900	70800-006895	70800-006950	

* Anchoring with 2 screws 10x1.5"
 * Bracket material: Aluminum

G75 Solenoid with Galit Relay

N.C solenoid specially designed for filtration systems and control valves of large diameters.



High corrosion & UV resistance



Large orifice



Versatility

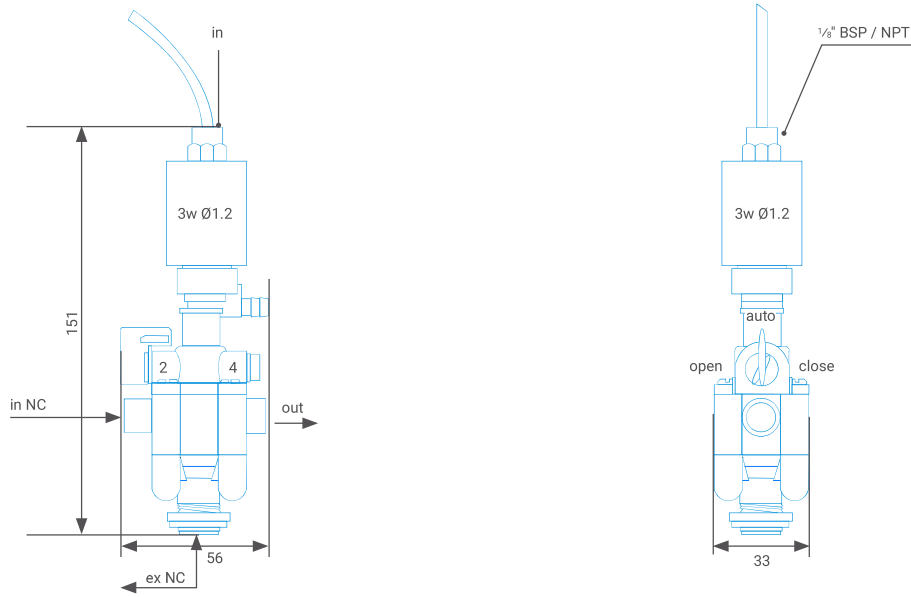
/ Benefits & Features

- Large orifice 5mm
- Versatility AC/DC/DCL, NO/NC configurations
- High corrosion & UV resistance Made from robust polymers materials
- 3W manual override Close / Auto / Open

/ Specifications & Recommendations

Function	3 Way N.C
Ports Size	1/8" BSP & NPT
Orifice Size	5mm
Pressure Range	1 to 10 bar
Temperature Range	Fluid: 5°C to 50°C (no freezing) Ambient: -10°C to 50°C
Materials In Contact with Media	Solenoid Operator: Stainless Steel Seals: NBR Spring: Stainless Steel AISI 300 series
Manual Override	Manual override with 3 positions: <ul style="list-style-type: none"> • Auto - for automatic operation (valve is open when solenoid is energized) • Manual - valve is kept open • Close - valve is kept closed
Standard Protection Class	IP66
Resistance (Ω)	12 (other options available)
Input Current Range	14-16 (other options available)

→ Technical Dimensions & Ports



→ Catalog Numbers

Description	Catalog Numbers
GALIT SOL 1 UNIT 12DCL 120HM W/O BRACKET	70800-000919
GALIT SOL 2 UNITS 12DCL 120HM 2WIRES NC	70800-000910
GALIT SOL 3 UNITS 12DCL 120HM 2WIRES NC	70800-000911
GALIT SOL 4 UNITS 12DCL 120HM 2WIRES NC	70800-000912
GALIT SOL 5 UNITS 12DCL 120HM 2WIRES NC	70800-000913
GALIT SOL 6 UNITS 12DCL 120HM 2WIRES NC	70800-000914
GALIT SOL 7 UNITS 12DCL 120HM 2WIRES NC	70800-000915
GALIT SOL 8 UNITS 12DCL 120HM 2WIRES NC	70800-000916
GALIT SOL 9 UNITS 12DCL 120HM 2WIRES NC	70800-000917
GALIT SOL 10 UNITS 12DCL 120HM 2WIRES NC	70800-000918

Catalog numbers refer to DC Latch. Product available in AC mode as well.

Baccara™ Solenoids Manifold

G75-VM MODULAR MANIFOLD



Easy
installation



Large
orifice



Versatility

/ Benefits & Features

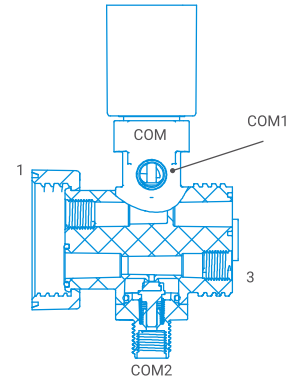
- Easy installation Modular units
- Large orifice 1.8mm
- Versatility NO/NC configurations

/ Specifications & Recommendations

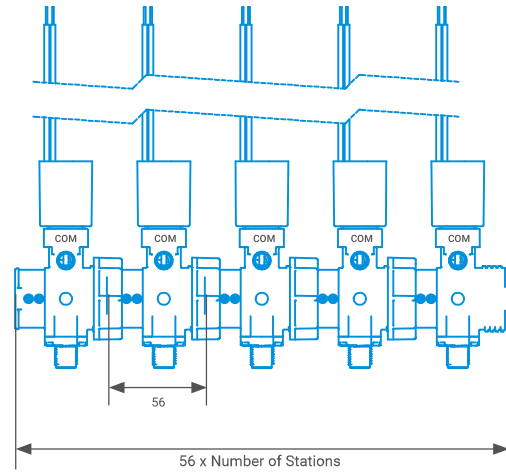
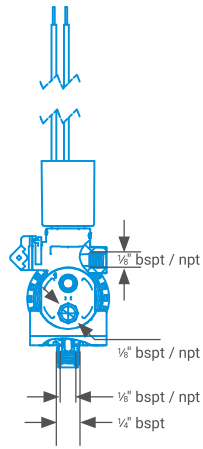
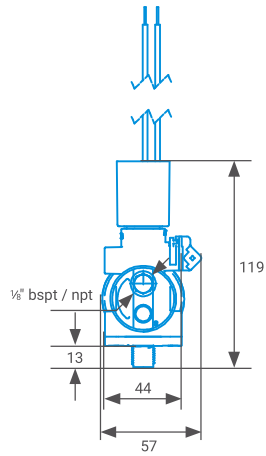
- Function – 3 Way NC, NO
- Orifice Size – 1.8mm
- Pressure Range – 0 - 8 bar
- Temperature Range – Fluid: 0°C to 50°C (no freezing), Ambient: -10°C to 50°C
- Materials in Contact with Media –
Manual Override: Plastic (Reinforced Nylon)
Main Valve: Plastic (reinforced nylon & POM)
Solenoid Operator: Stainless steel AISI 300 & 400 series
Seals: EPDM
- Mounting – With bracket
- Modular Connection Type – Thread type connection
- Modular Connection Assembly Recommendation – Manually tighten one station to another
Using tools and/or excessive torques may lead to irreversible damage
- Manual Override 3 Positions Latch – Auto, close, open
- Media – Air, water
- Coil Voltage – Latch
- Standard Protection Class – IP66

→ Ports Scheme

Port	NO	NC
1	Exhaust	Pressure
3	Pressure	Exhaust
COM	Out	Out



→ Technical Dimensions



GEM-SOL Solenoids

Recommended for heavy-duty applications where high performance is required. Can be used for industrial and irrigation control and automation systems. Suitable for working with air, water, and oil.



High durability



Large orifice



Versatility

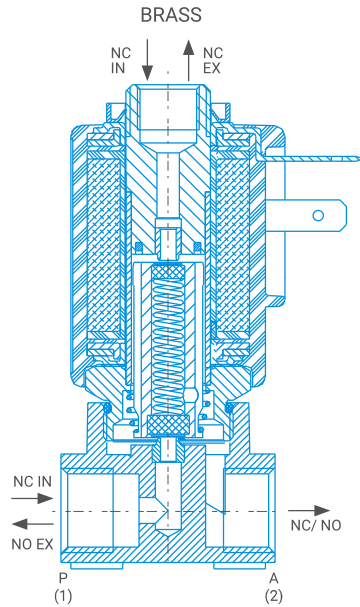
/ Benefits & Features

- High durability Made of robust materials
- Large orifice Wide range of orifice sizes
- Versatility AC/DC/DCL, NO/NC configurations

/ Specifications & Recommendations

- Function – 3/2 way NC & NO
- Ports Size – 1/8" and 1/4" BSP & NPT
- Orifice – See table
- Kv – See table
- Pressure Range – See table
- Temperature Range (Fluid) – max 80°C
- Temperature Range (Ambient) – -10°C - 50°C
- Manual Override – Plastic, brass screw or brass finger knob, st.st for st.st valves
- Weight (with coil) – 248gr for mazak valve
- Media – Air, water, oil
- Coil Voltage – All Baccara coils voltages 10% AC 8W, 5.5W and 2.5W & DC 10W, 5.5 and 3.5W

→ Configuration



→ Material Specifications

Main Valve	Mazak, brass or stainless steel 303
solenoid Operator	Stainless steel 300 & 400 series
seals	Nbr, viton, epdm or kalrez

→ Max. Pressure (bar)

3W NC

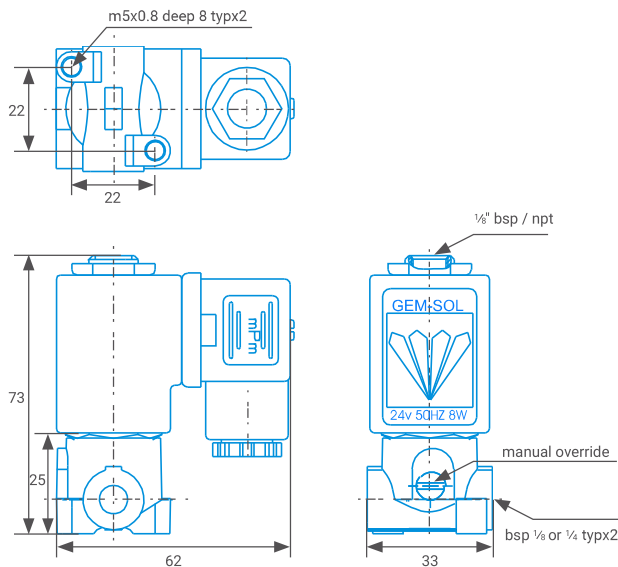
Coil Current / Power	Orifice					
	0.8	1.2	1.6	2.0	2.4	3.0
ADC	23	20	15	10	8	5.5
AC/8W DC/10W	35	30	17	14	10	6
AC/5.5W	23	20	15	10	8	5.5
AC/2.5W, DC/5.5W, DC/3.5W	20	16	10	9	5	4
Flow Factor Kv (Lmin)	0.6	1.1	1.7	2.5	3.5	4.5

3W NO

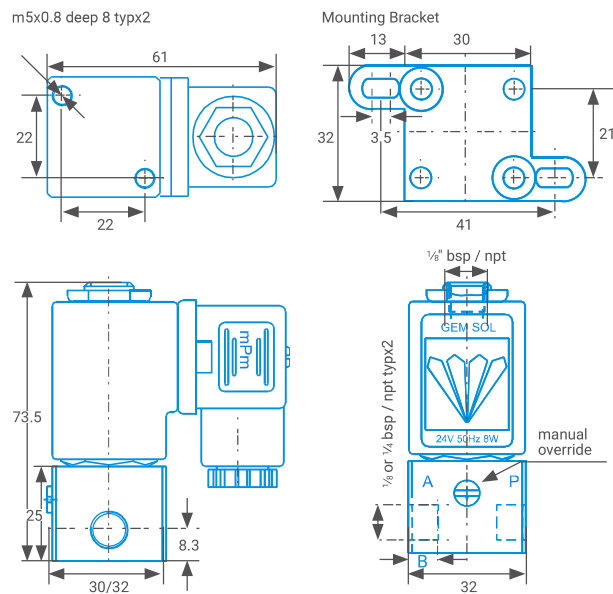
Coil Current / Power	Orifice					
	0.8	1.2	1.6	2.0	2.4	3.0
ADC	25	20	15	11	8	6
AC/8W, DC/10W	30	22	17	12	10	7
AC/5.5W FC/5.5W	25	20	15	11	8	6
AC/2.5W DC/3.5W	20	18	12	8	6	4
Flow Factor Kv (Lmin)	0.6	1	1.4	2.2	3.0	3.5

→ Technical Dimensions

Brass Model



Mazak / Stainless Steel Model



→ Catalog Numbers

Description	Catalog Number
BAC.GEM-A BR 1/4 3W NC 1.6 NBR 12VDC+CON	70800-002073
BAC.GEM-A BR 1/4N 3WNO 1.2 12VDC 10W+CON	70800-006579
BAC.GEM-A BR 1/4N 3WNO 1.6 12VDC 10W+COM	70800-006578
BAC.GEM-A BR.1/4 3W NC 1.6 110VAC8W+CON	70800-002055
BAC.GEM-A BR.1/4 3W NC 1.6 24VAC 8W+CON.	70800-002050
BAC.GEM-A BR.1/4 3W NO 1.6 110VAC8W+CON.	70800-002065
BAC.GEM-A BR.1/4 3W NO 1.6 12VDC 10W+CON	70800-002040
BAC.GEM-A BR.1/4 3W NO 1.6 24VAC 8W+CON.	70800-002060
BAC.GEM-A BR.1/4 3WNO 1.6 230VAC 8W+CON.	70800-002070
BACCARA GEM SERVO 2WNO 1" BSP 12V DC 10W	70800-001751
BACCARA GEMSOL 2.4MM 12VDC 3W NC 2WIRES	70800-006625
BACCARA GEMSOL 2.4MM 24V AC 8W NO	70800-003600
BACCARA GEMSOL 2.4MM NC 24VAC 8W	70800-003400
BACCARA GEMSOL 3W 0.8MM 24VAC 8W NO PN25	70800-003620
BACCARA SOLENOID BAR F/10 GEMSOL NC AC	70800-006420
BACCARA SOLENOID BAR F/3 GEMSOL NC AC	70800-006440
BACCARA SOLENOID BAR F/3 GEMSOL NC AC	70800-006445
BACCARA SOLENOID BAR F/4 GEMSOL NC AC	70800-006441
BACCARA SOLENOID BAR F/4 GEMSOL NC AC	70800-006446
BACCARA SOLENOID BAR F/5 GEMSOL NC AC	70800-006442
BACCARA SOLENOID BAR F/5 GEMSOL NC AC	70800-006447
BACCARA SOLENOID BAR F/6 GEMSOL NC AC	70800-006370
BACCARA SOLENOID BAR F/7 GEMSOL NC AC	70800-006443
BACCARA SOLENOID BAR F/8 GEMSOL NC AC	70800-006400
BACCARA SOLENOID BAR F/9 GEMSOL NC AC	70800-006410
GEM SOL COIL + CONN 415V AC 8W 50HZ	70800-002777
GEM SOL MZK 3WNO 1/8" BSP 1.6MM NBR	70800-002778
GEM SOL ST.ST 2WNO 1/4" BSP 2.4MM NBR	70800-002916
GEMA BRASS BSP 3WNC 1.6MM 24VAC 8W 60HZ	70800-006580
GEM-A-BR.1/4BSP 3WNO 1.6 48V/50HZ8W+CONN	70800-001222
GEMSOL BASE 3WNO 1/8" BSP 1.6 LOW POWER	70800-005601

2-Way Solenoids



High corrosion
& UV resistance




Versatility



Easy
installation

→ Catalog Numbers

Product Name & Illustration	Configuration	Voltage	Catalog Number			
			Operator	Base	Base + Bracket	Operator + Base
S-80 2-Way						
 <p>NETAFIM 24VAC S-80-2-NC 0108 A</p>	2-Way (NC)	24AC	71640-007140	-	-	-
		24DC	71680-031060			-
		12DC	71640-007020			-
		9-30DC LATCH	71680-018370			-
S-80 3-Way						
 <p>NETAFIM S-80-3-C 24VAC NC S/N 0508A</p>	3-Way (NO)	24AC	71640-007120	71680-018350	71680-000240	71640-006980
		24DC	71680-018310			71640-006990
		12DC	71640-007021			-
	3-Way (NC)	24AC	71640-007130	-	71640-007090	
S-92 3-Way Latch						
 <p>NETAFIM S-92-3 90 NO LATCH S/N 0514A</p>	3-Way (NO)	DC Latch	71680-000180	71680-000185	-	71640-006992