

# / Spare Parts

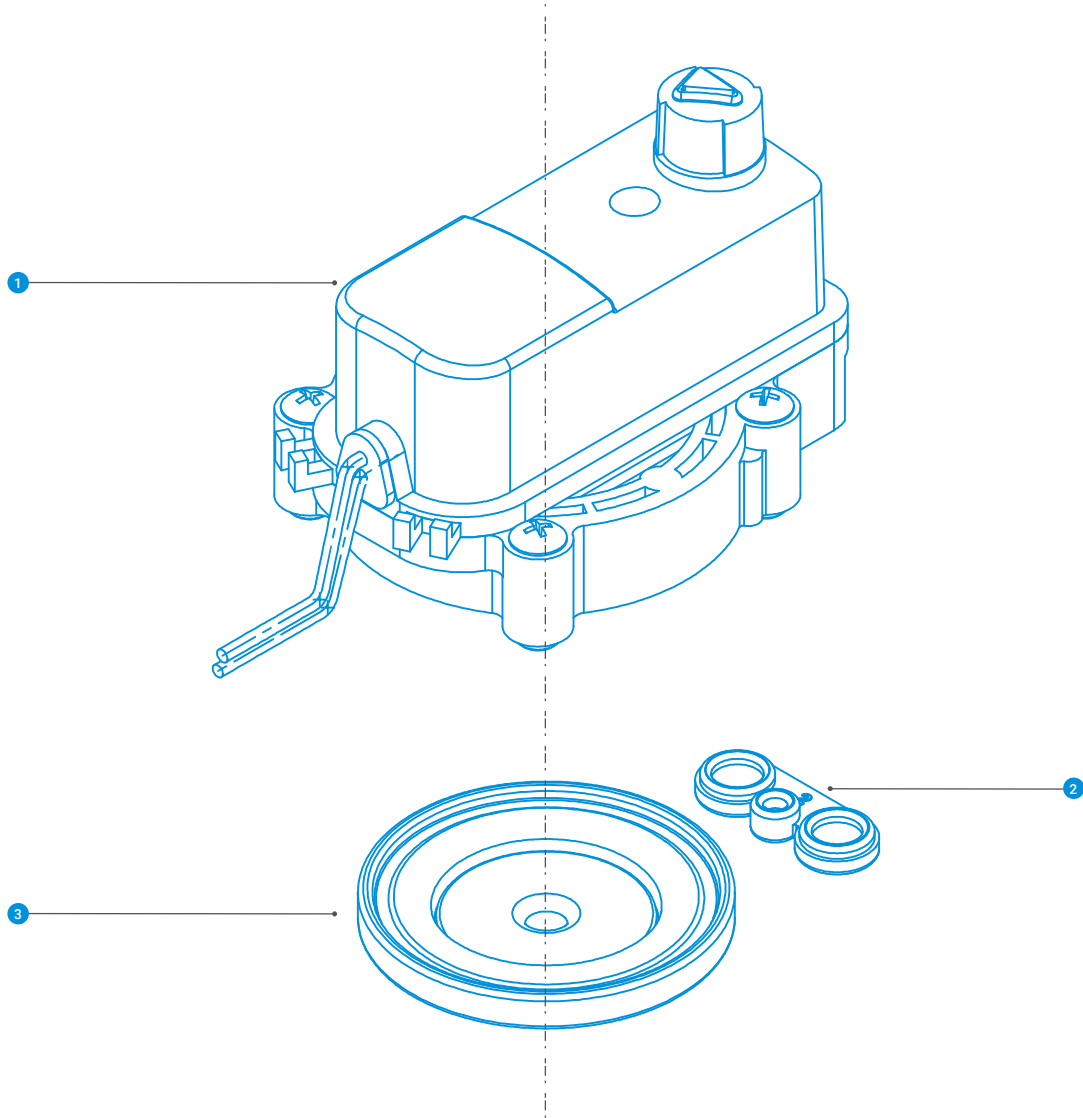


Precision  
Agriculture



# AquaNet™

3/4" - 1"

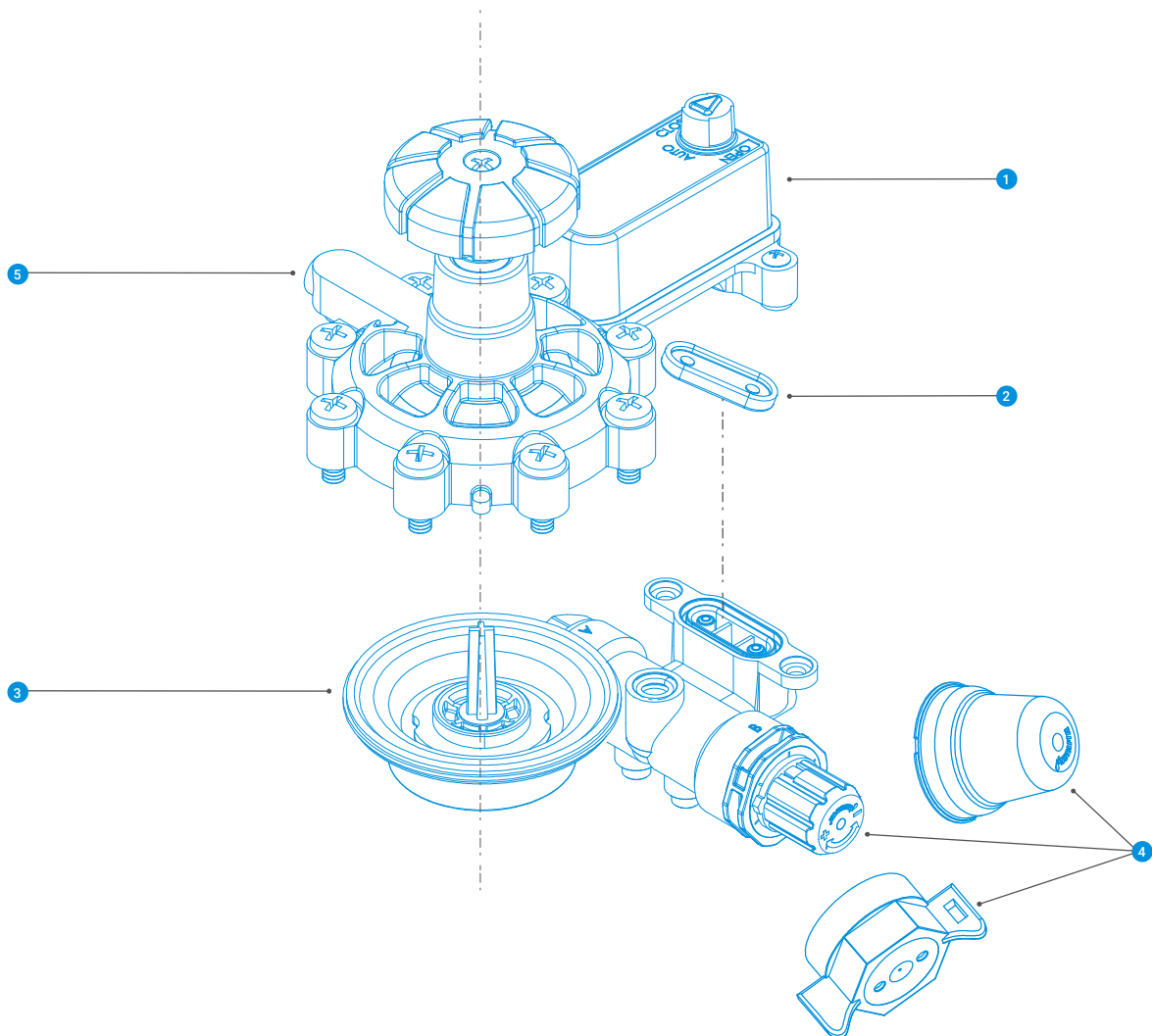


## → Parts List & Catalog Numbers

Part List #	Description	Catalog Number
1	AQUANET 1-3/4" OPERAT.MECHAN.AC-REPLACEM.	35500-006700
	AQUANET 1-3/4" OPERAT.MECHAN. DC REPLACEM.	35500-006800
2	AQUANET ELECTRIC VALVE DIAPHRAGM NT2	35500-004100
3	AQUANET 1-3/4" DIAPHRAGM KIT	35500-004350

# AquaNet™

1½" - 2"



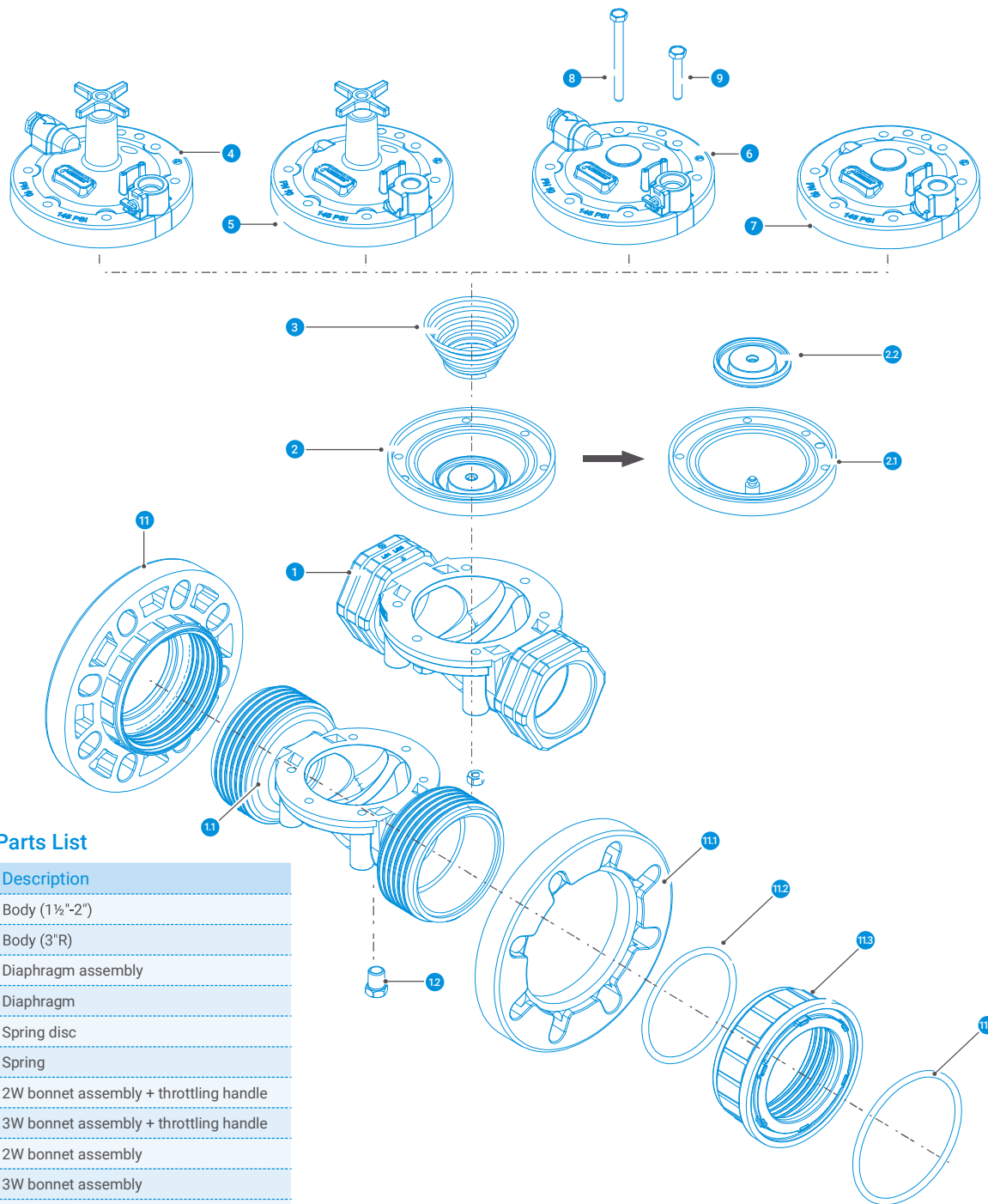
## → Parts List & Catalog Numbers

Part List #	Description	Catalog Number
1	AQUANET 1½"-2" OPERAT.MECHAN.AC REPLACEM	35500-011100
	AQUANET 1½"-2" OPERAT.MECHAN DC REPLACEM	35500-011200
2	AQUANET 1½"-2" COMMAND DIAPHRAGM	35500-010800
3	AQUANET 1½"-2" MAIN DIAPHRAGM KIT	35500-010200
4	AQUANET PILOT ASSY F/PRESSURE REGULATOR	35500-001100
5	COMBI-COVER ASSEMBLY FOR VLAVE	35500-015830



# 75 Series Plastic Valves

1½" - 3"R



## → Parts List

#	Description
1	Body (1½"-2")
1.1	Body (3"R)
2	Diaphragm assembly
2.1	Diaphragm
2.2	Spring disc
3	Spring
4	2W bonnet assembly + throttling handle
5	3W bonnet assembly + throttling handle
6	2W bonnet assembly
7	3W bonnet assembly
8	Bolt
9	Short bolt
10	Nut
11	Flange assembly
11.1	Flange
11.2	O-ring
11.3	Flange adapter
12	Plug

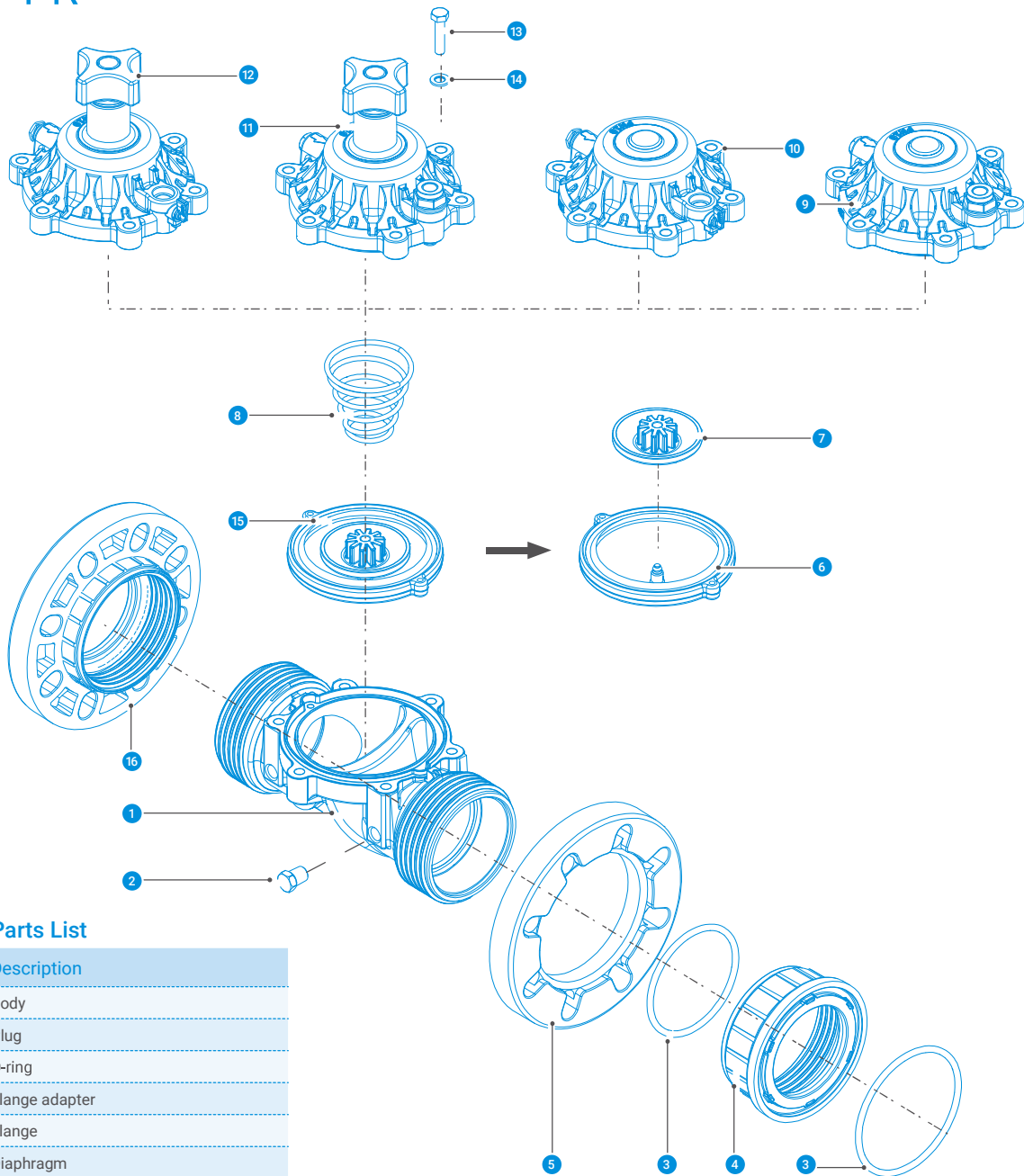
## → Catalog Numbers

Part List #	Description	Catalog Number
2 (2.1, 2.2)	2W, DIAPHRAGM KIT	71680-007250
	3W, DIAPHRAGM KIT	71680-006170
3	SPRING NO. 22	71680-008400
11 (11.1 - 11.3)	SET OF UNIVERSAL FLANGE 3" (1 SIDES) *	71680-000610

\* Set of universal flange 2 sides is available upon request

# 75 Series Plastic Valves

3" - 4"R



## → Parts List

#	Description
1	Body
2	Plug
3	O-ring
4	Flange adapter
5	Flange
6	Diaphragm
7	Spring disc
8	Spring
9	3W bonnet assembly
10	2W bonnet assembly
11	3W bonnet assembly + throttling handle
12	2W bonnet assembly + throttling handle
13	Bolt
14	Washer
15	Diaphragm assembly
16	Flange assembly

Threaded body assembly parts: 1, 2

Two-sided flanged body assembly parts: 1, 2, 17 (2 qty)

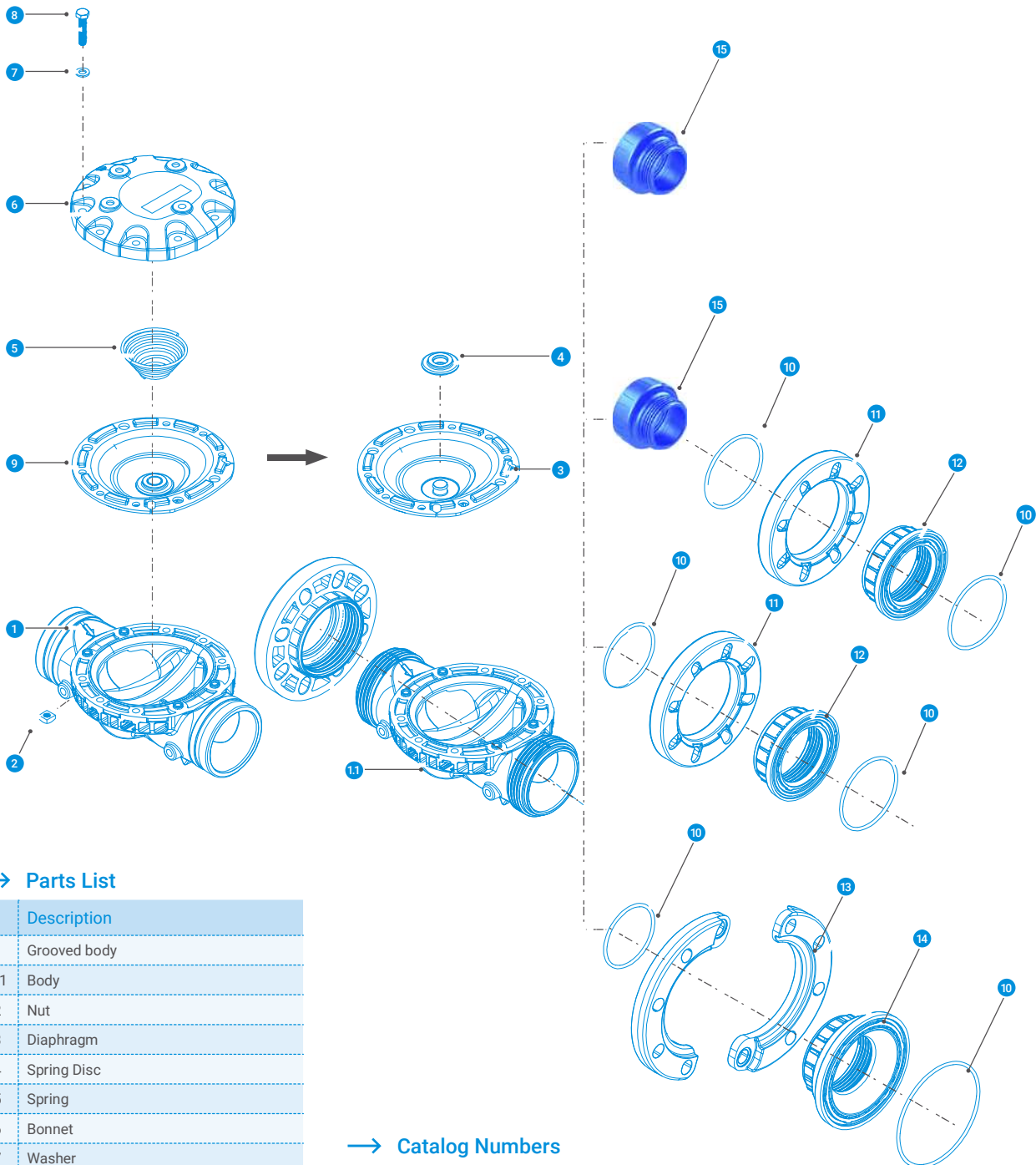
## → Catalog Numbers

Part List #	Description	Catalog Number
15 (6 & 7)	2W, DIAPHRAGM KIT	71680-006370
	3W, DIAPHRAGM KIT	71680-006380
8	SPRING NO. 6	71680-011022
16 (3 & 4 & 5)	SET OF UNIVERSAL FLANGE 3" (1 SIDES)	71680-000610
	SET OF UNIVERSAL FLANGE 4" (1 SIDES) *	71680-000620

\* Set of universal flange 2 sides is available upon request

# 75 Series Plastic Valves

3H" - 6"R



## → Parts List

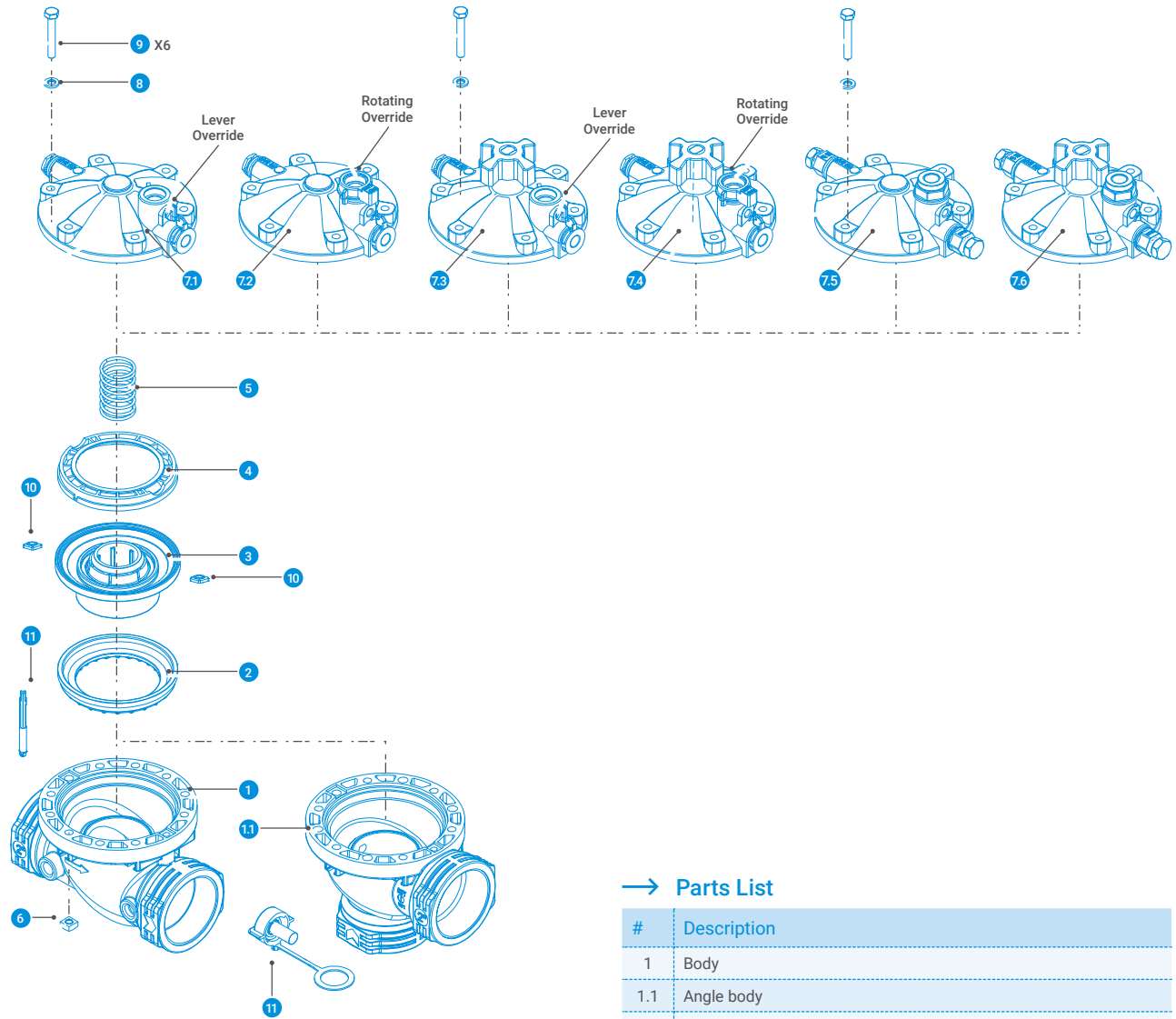
#	Description
1	Grooved body
1.1	Body
2	Nut
3	Diaphragm
4	Spring Disc
5	Spring
6	Bonnet
7	Washer
8	Bolt
9	Diaphragm kit
10	O-ring
11	Flange
12	Flange adapter
13	6" Flange (2 pcs)
14	Flange adapter 6"
15	3" thread adapter

## → Catalog Numbers

Part List #	Description	Catalog Number
3 & 4	3W, DIAPHRAGM	71680-000229
5	SPRING NO. 9	71680-008100
10 & 13 & 14	SET OF UNIVERSAL FLANGE 6" (2 SIDES)	71680-000145
10 & 11 & 12	SET OF UNIVERSAL FLANGE 4" (2 SIDES)	71680-051283
15	3"H THR. NPT (2 SIDES)	71680-051280
15	3"H THR. BSP (2 SIDES)	71680-051281
10 & 11 & 12	3"H FLANGE ASSY. (2 SIDES)	71680-051282

# 80 Series Plastic Valves

1½" - 2"



## → Catalog Numbers

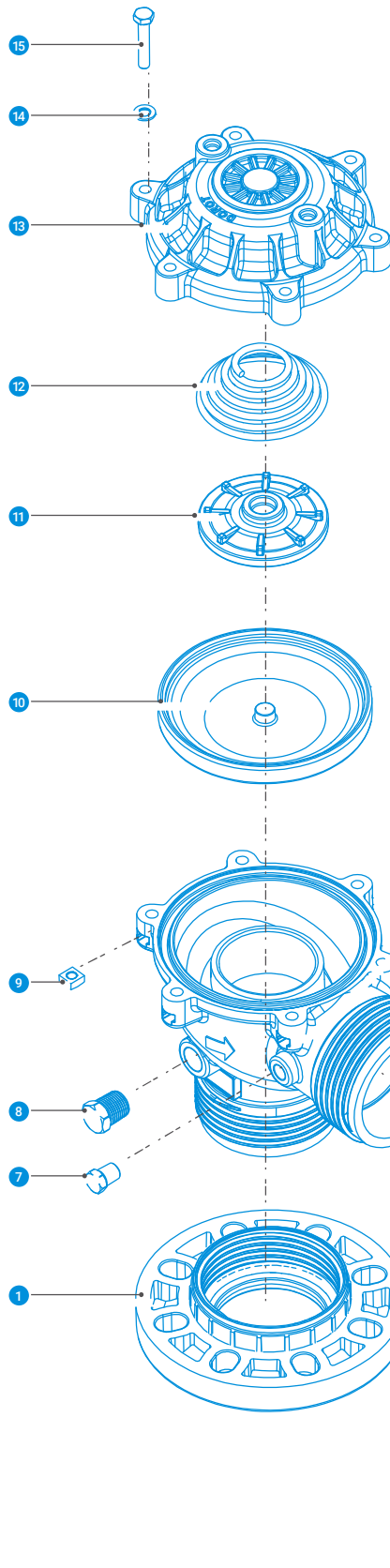
Part List #	Description	Catalog Number
3 (3 & 10)	DIAPHRAGM KIT	71680-006175
5	SPRING - NO. 116 FOR 2-WAY VALVES	71680-008150
	SPRING - NO. 117 FOR 3-WAY VALVES	71680-008155
11	STRAIGHT BODY FILTER KIT	71680-010430
	ANGLE BODY FILTER KIT	71680-010420
2	LOWER DIAPHRAGM SUPPORT	71680-018270
4	UPPER DIAPHRAGM SUPPORT	71680-018260

## → Parts List

#	Description
1	Body
1.1	Angle body
2	Lower diaphragm support
3	Diaphragm assembly
4	Upper diaphragm support
5	Spring
6	Nut
7.1	2W bonnet assembly + lever override
7.2	2W bonnet assembly + rotating override
7.3	2W bonnet assembly + throttling handle & lever override
7.4	Bonnet assembly + throttling handle & rotating override
7.5	3W bonnet assembly
7.6	3W bonnet assembly + throttling handle
8	Washer
9	Bolt
10	Diaphragm kit rings
11	Finger filter

# 80 Series Plastic Valves

3" - 4"R



## → Catalog Numbers

Part List #	Description	Catalog Number
3 (3 & 10)	DIAPHRAGM	71680-007710
11	SPRING SEAT SELA	71680-009105
12	SPRING NO. 140	71680-000081
1 (2 & 3 & 4 & 5)	SET OF UNIVERSAL FLANGE 3" (1 SIDE)	71680-000610
	SET OF UNIVERSAL FLANGE 4" (1 SIDE)	71680-000620

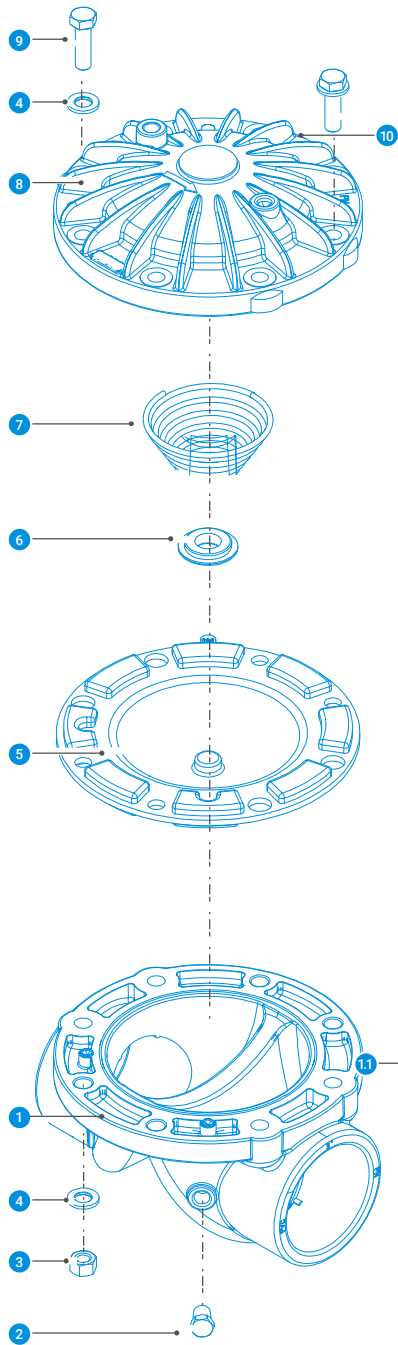
## → Parts List

#	Description
1	Flange assy.
2	O-ring
3	Threaded adaptor
4	Flange
5	O-ring
6	Body
7	Plug ¼
8	Plug ½
9	Nut
10	Diaphragm
11	Spring seat
12	Spring
13	Bonnet
14	Washer
15	Bolt



# 90 Series PVC Valves

## 3" - 6"



### → Diaphragm & Spring Selection

Diameter	Type	Diaphragm #	Spring #
3" / 90mm	Standard	#95	#9
	Low pressure	#179	#12
4" / 110mm	Standard	#95	#9
	Low pressure	#179	#12
6" / 160mm	Standard	#52	#6
	Low pressure	#264	#6

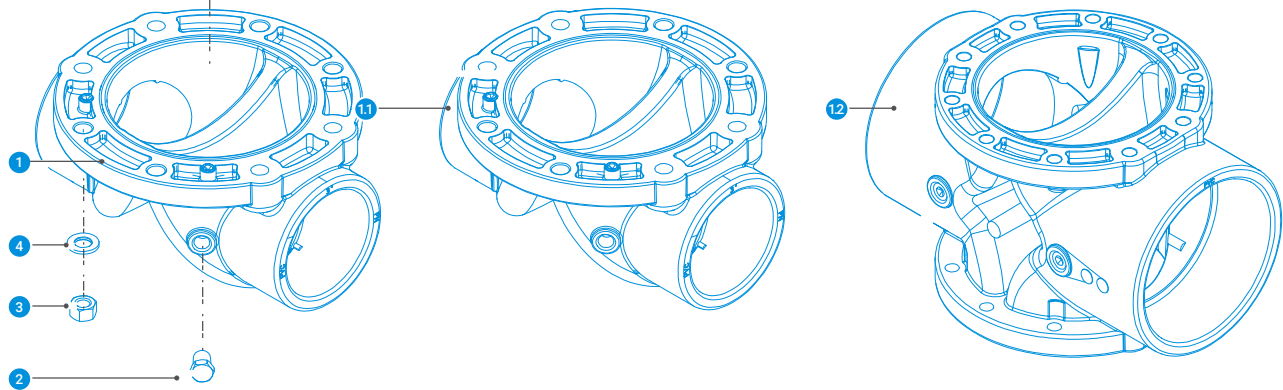
### → Parts List

#	Description
1	Solvent welded body (3", 4", 6", 80mm, 90mm, 100mm, 110mm, 160mm)
1.1	Threaded body (only in 3")
1.2	160mm/6" body
3	Nut
4	Washer

5	Diaphragm
6	Spring seat
7	Spring
8	Bonnet
9	Bolt
10	Short bolt

### → Catalog Numbers

#	Description	Catalog Number
5	DIAPHRAGM NO. 095	71680-007660
	DIAPHRAGM NO. 052	71680-007670
6	SPRING SEAT, PVC VALVE 3" - 4"	71680-008905
	SPRING SEAT, PVC VALVE 6"	71680-008990
7	SPRING NO. 9	71680-008100
	SPRING NO. 6	71680-008190



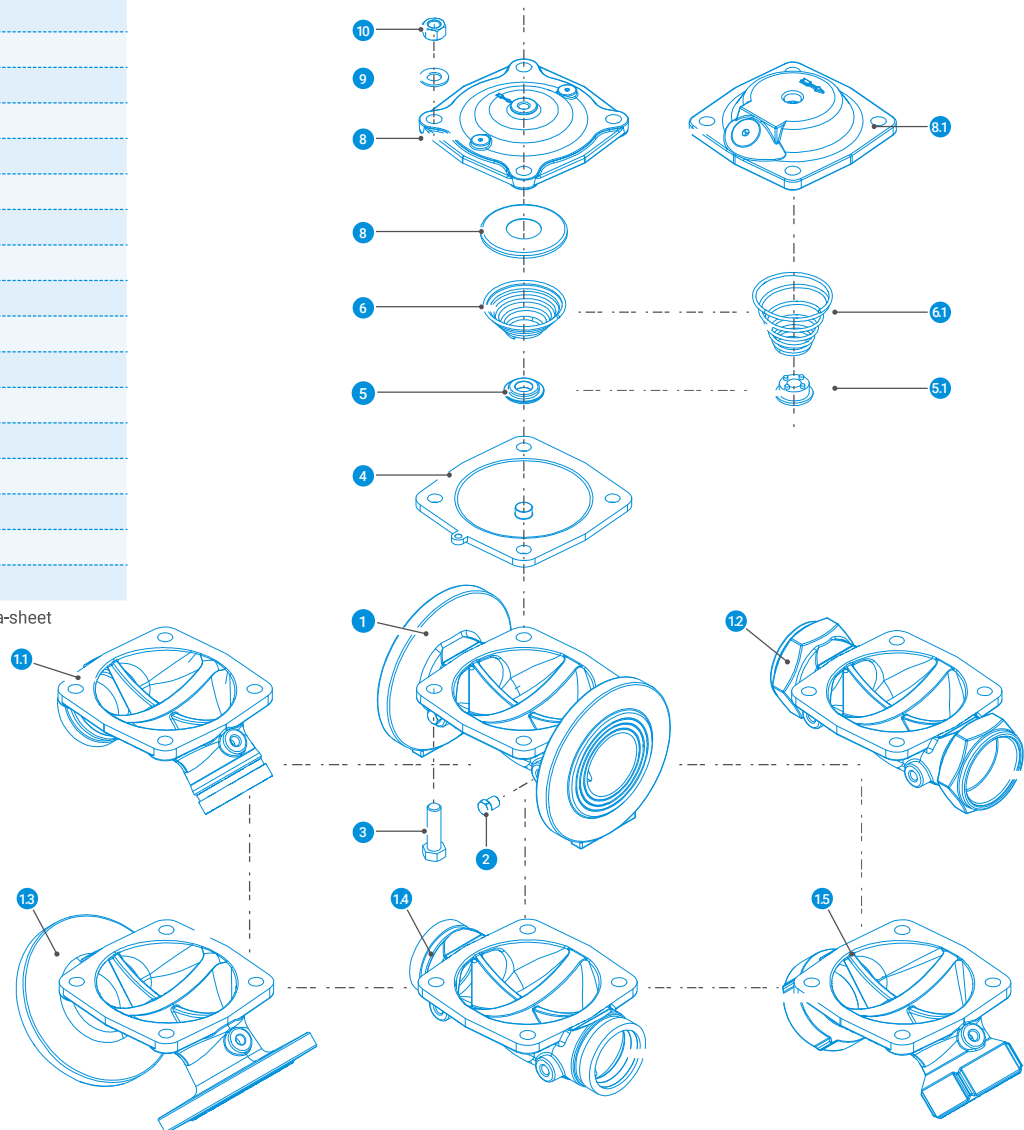
# 100 Series Metal Valves

1½" - 4"

## → Parts List

#	Description
1	Body
1.1	Angle grooved body
1.2	Threaded body
1.3	Angle body
1.4	Grooved body
1.5	Angle threaded body
2	Plug
3	Bolt
4	Diaphragm
5	Bottom spring disc
5.1	Bottom spring disc
6	Spring
6.1	Spring
7	Upper spring disc
8	Bonnet 1.5"-3"R
8.1	Bonnet 3"-4"
9	Washer
10	Nut

\* Optional kit - refer to detailed data-sheet

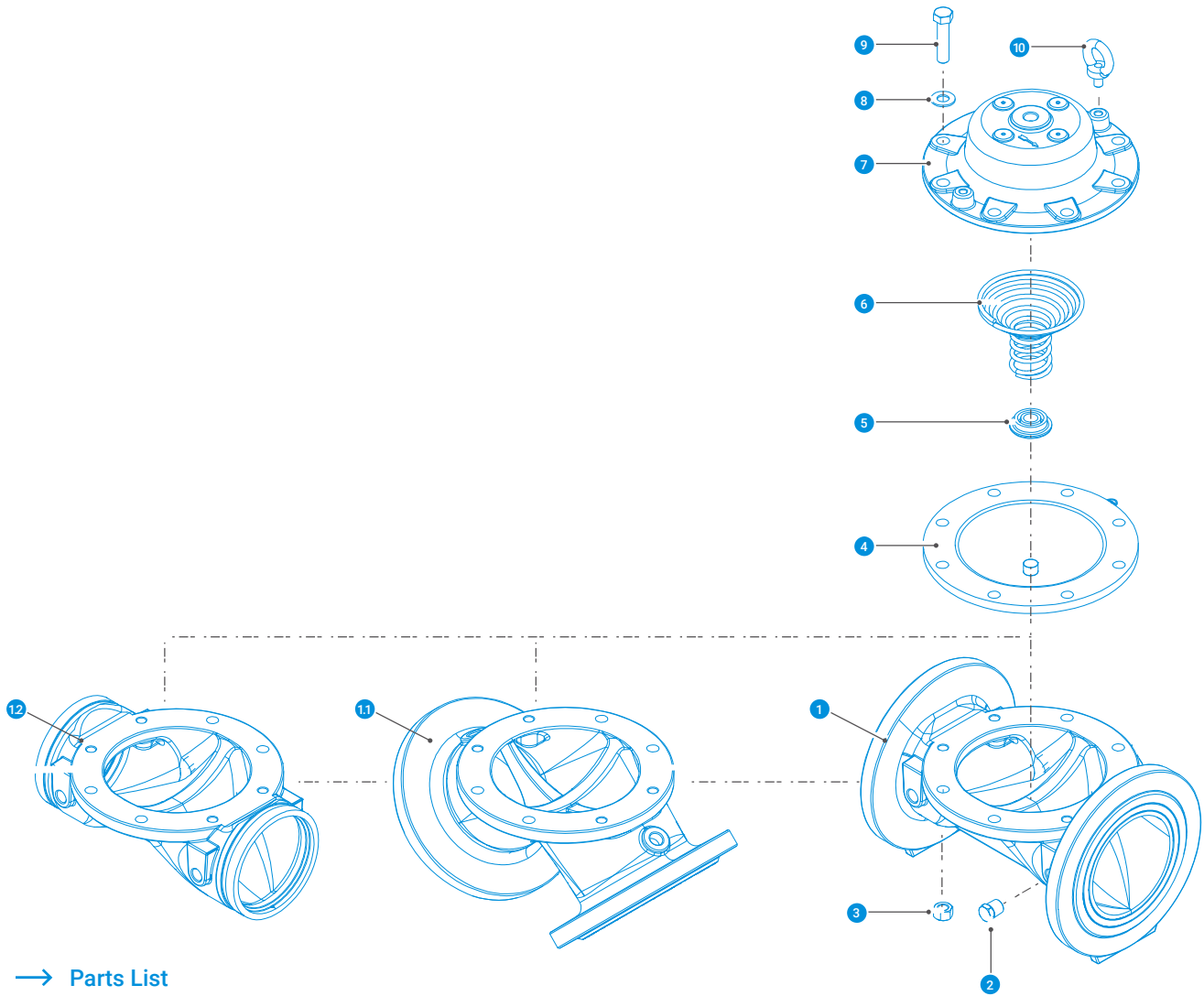


## → Catalog Numbers

Part List #	Description	Catalog Number
4	DIAPHRAGM - NO. 013	71680-007100
	DIAPHRAGM - NO. 003, S100, 2"	71680-007300
	L.P DIAPHRAGM - NO. 002, S100, 2"	71680-007400
	DIAPHRAGM - NO. 032, S100, 3"	71680-006300
	L.P DIAPHRAGM - NO. 005, S100 3"	71680-006400
5	SPRING SEAT, S100 1½" - 2"	71680-008905
	SPRING SEAT, S100 3" - 4"	71680-008900
6	SPRING - NO. 52, S100 1½" - 2"	71680-008000
	SPRING - NO. 9, S100 3"	71680-008100

# 100 Series Metal Valves

6" - 10"



## → Parts List

#	Description
1	Body
1.1	Angle body
1.2	Grooved body
2	Plug
3	Nut
4	Diaphragm
5	Spring disc
6	Spring
7	Bonnet
8	Washer
9	Bolt
10	Lifting ring

\* Optional kit - refer to detailed data-sheet

## → Catalog Numbers

Part List #	Description	Catalog Number
4	DIAPHRAGM - NO. 062, S100 6" - 686	71680-006520
	L.P DIAPHRAGM - NO. 009, S100 6" - 686"	71680-006600
	DIAPHRAGM - NO. 036, S100 8"	71680-006850
	L.P DIAPHRAGM - NO. 037, S100 8"	71680-006860
5	DIAPHRAGM - NO. 040, S100 10"	71680-006800
	SPRING SEAT, S100 6"	71680-009000
6	SPRING SEAT, S100 8" - 10"	71680-008995
	SPRING - NO. 57, S100 6"	71680-008200
	SPRING - NO. 61, S100 8" - 10"	71680-008300