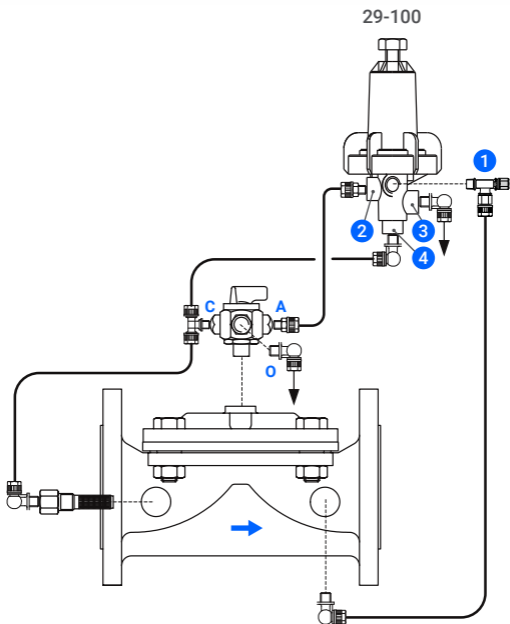
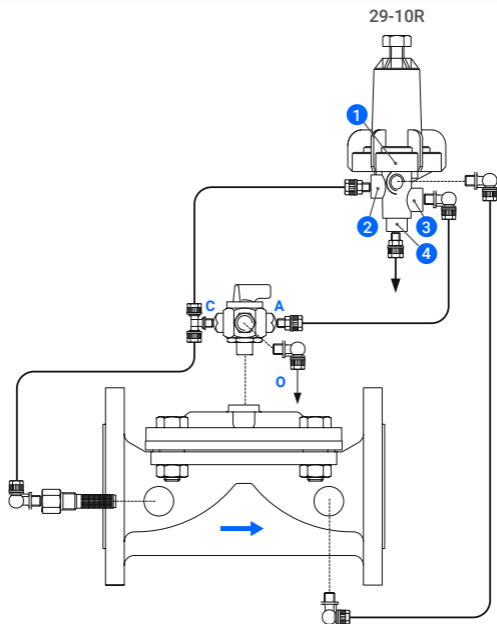


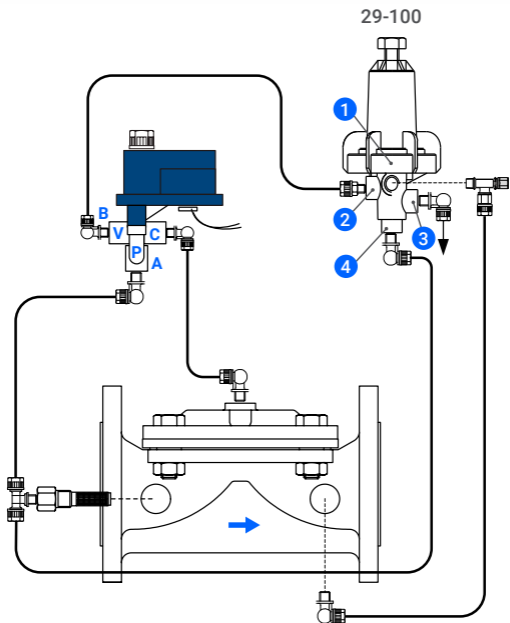
Pressure Reducing Valve (PR) using 29-100 Plastic Pilot (Black)



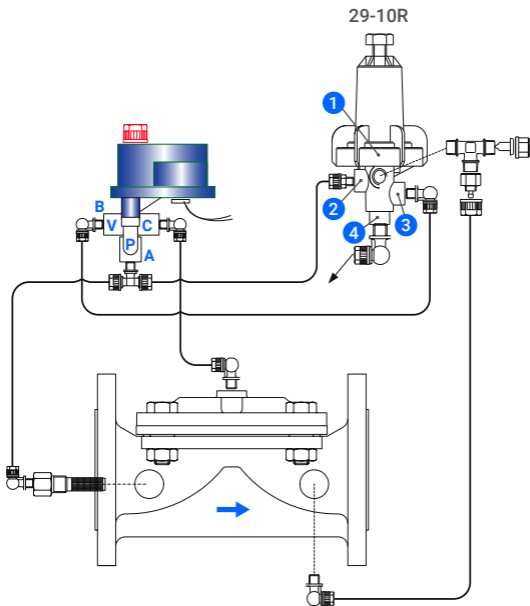
Pressure Reducing Valve (PR) using 29-10R Plastic Mini Pilot (Black)



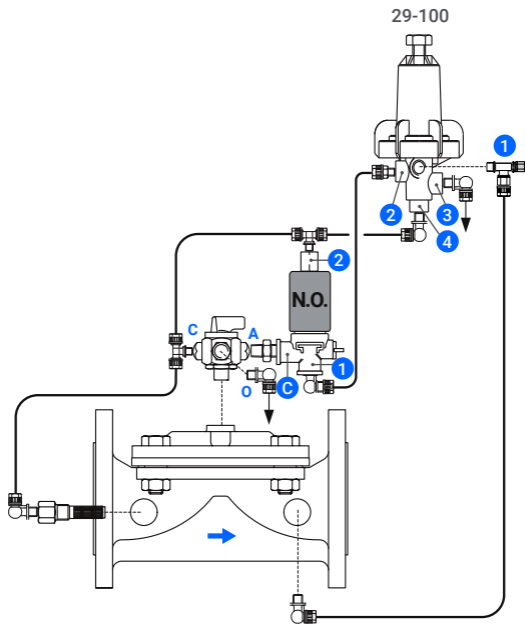
N.C. Electrically Controlled Pressure Reducing Valve (PR/EL) using 29-100 Plastic Pilot (Black) and Aquative Solenoid



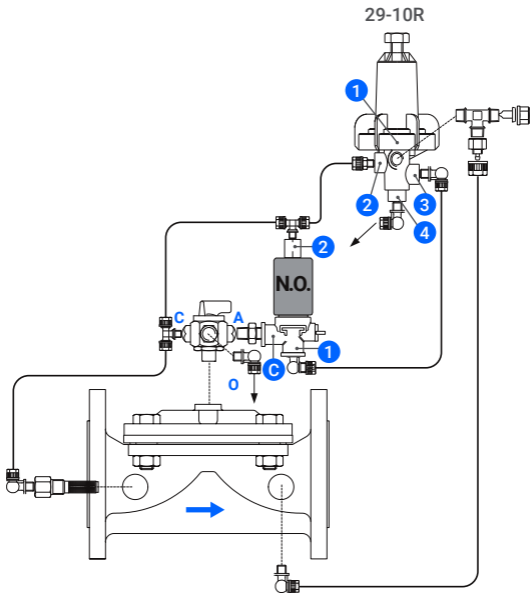
Electrically Controlled Pressure Reducing Valve (PR/EL) using 29-10R Plastic Mini Pilot (Black)



N.C. Electrically Controlled Pressure Reducing Valve (PR/EL) using 29-100 Plastic Pilot (Black)

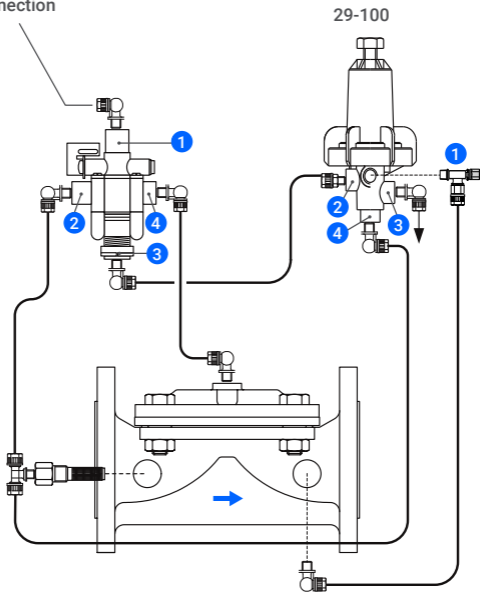


Electrically Controlled Pressure Reducing Valve (PR/EL) using 29-10R Plastic Mini Pilot (Black)



N.C. Remotely Controlled Pressure Reducing Valve (PR/RC) using 29-100 Plastic Pilot (Black)

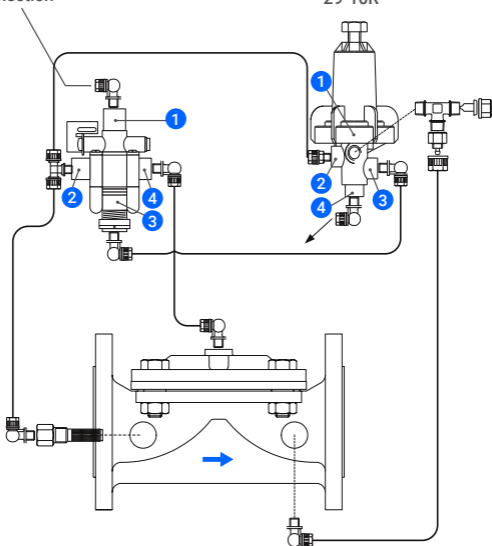
Remote control connection



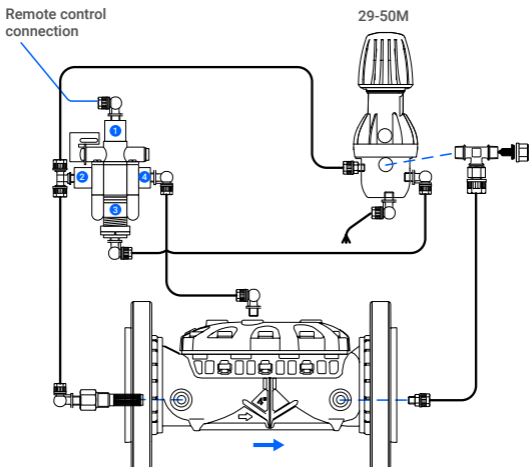
Remotely Controlled Pressure Reducing Valve (PR/RC) using 29-10R Plastic Mini-Pilot (Black)

Remote control
connection

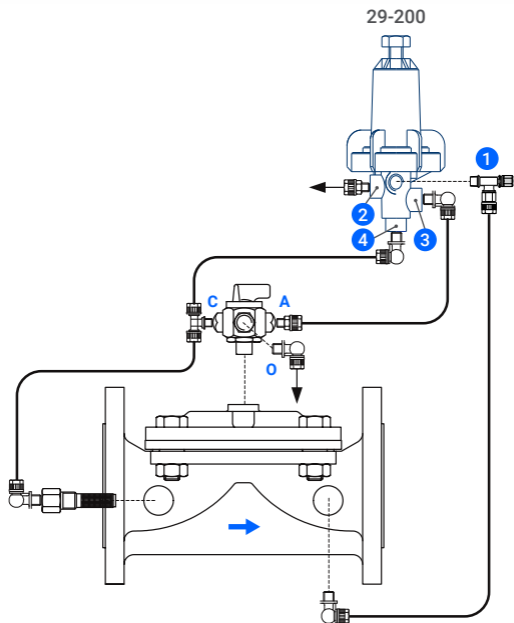
29-10R



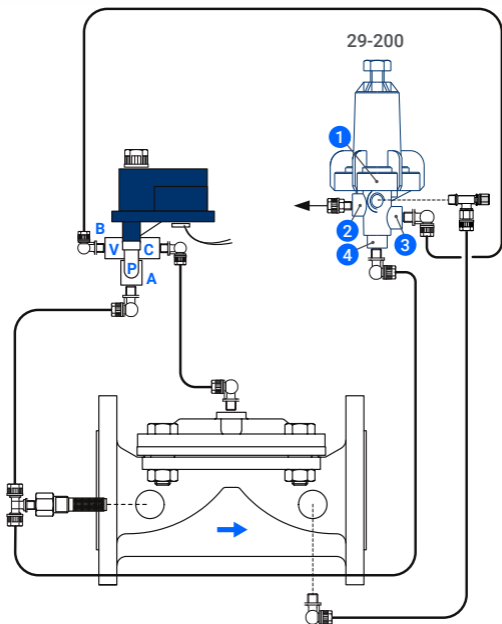
N.C. Remotely Controlled Pressure Reducing Valve (PR/RC) using 29-50M Plastic Pilot



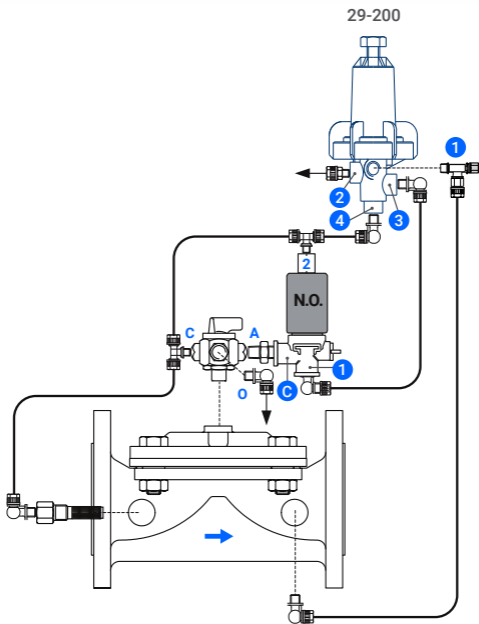
Pressure Reducing Valve (PR) using 29-200 Plastic Pilot (Blue)



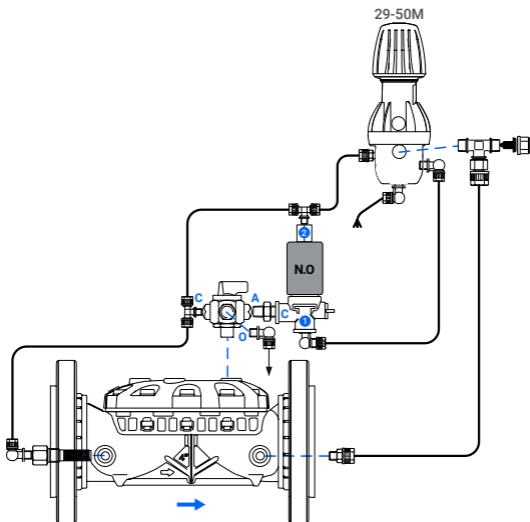
N.C. Electrically Controlled Pressure Reducing Valve (PR/EL) using 29-200 Plastic Pilot (Blue) and Aquative Solenoid



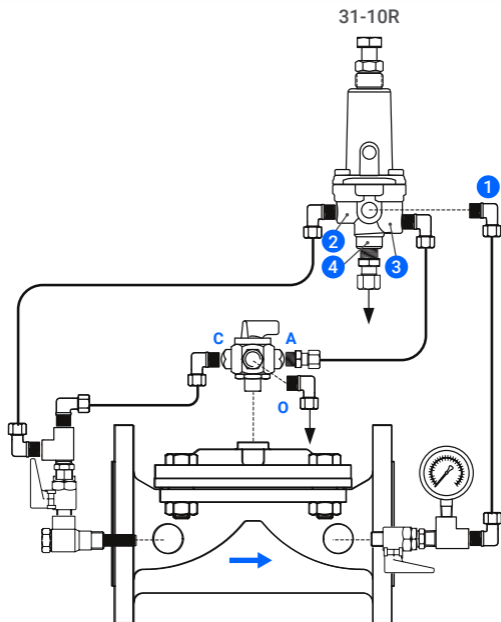
N.C. Electrically Controlled Pressure Reducing Valve (PR/EL) using 29-200 Plastic Pilot (Blue)



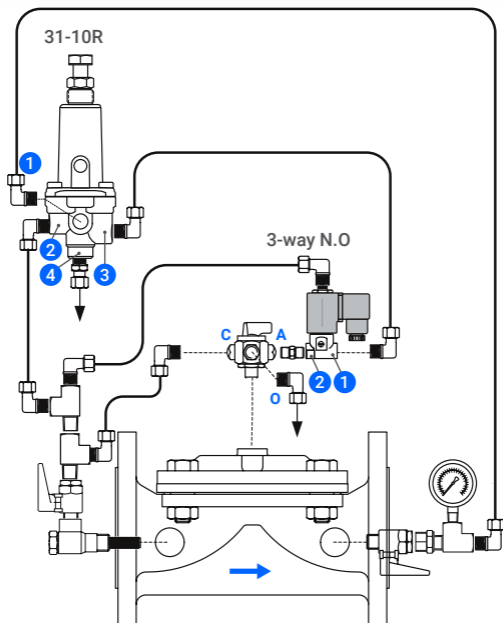
N.C. Electrically Controlled Pressure Reducing Valve (PR/EL) using 29-50M Plastic Pilot



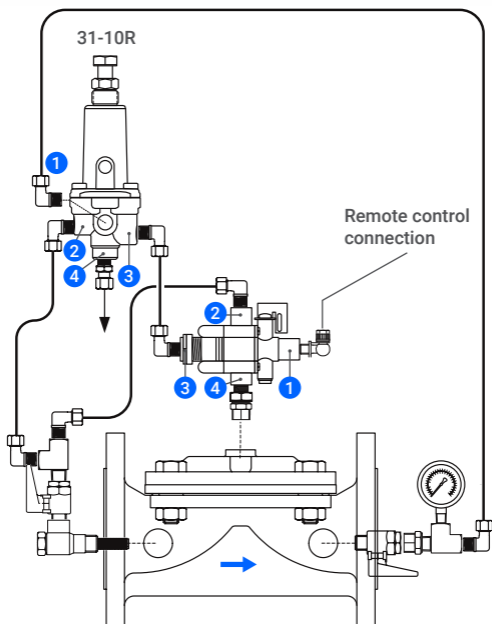
Pressure Reducing Valve (PR) using 31-10R Metal Pilot



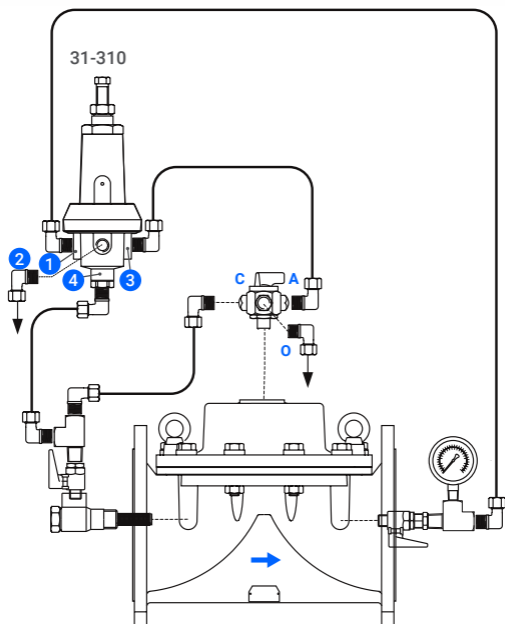
N.C. Electrically Controlled Pressure Reducing Valve (PR/EL) using 31-10R Metal Pilot



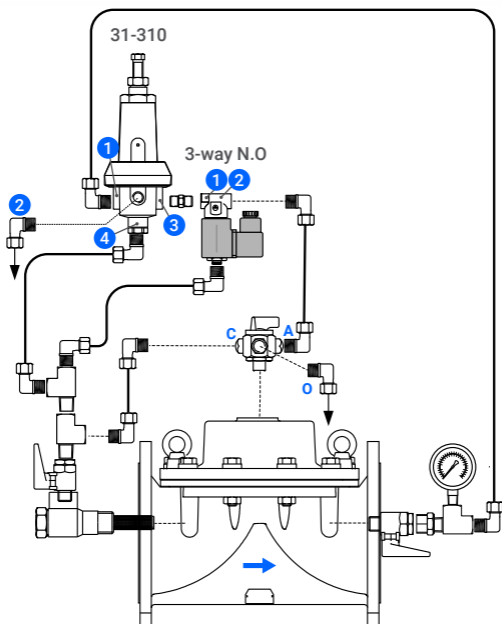
Remotely Controlled Pressure Reducing Valve (PR/RC) using 31-10R Metal Pilot



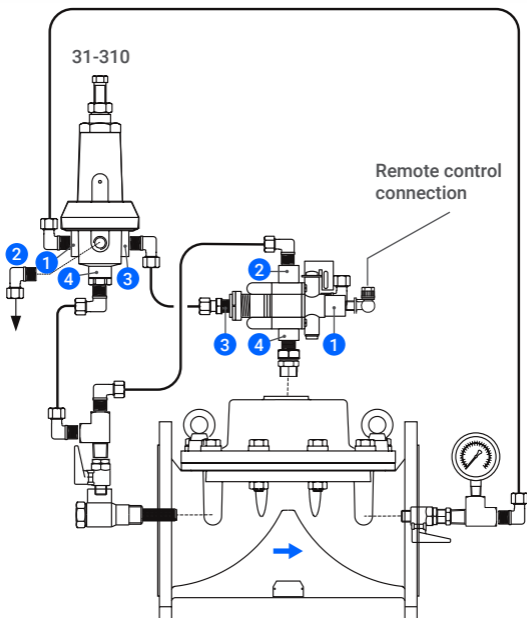
Pressure Reducing Valve (PR) using 31-310 Metal Pilot



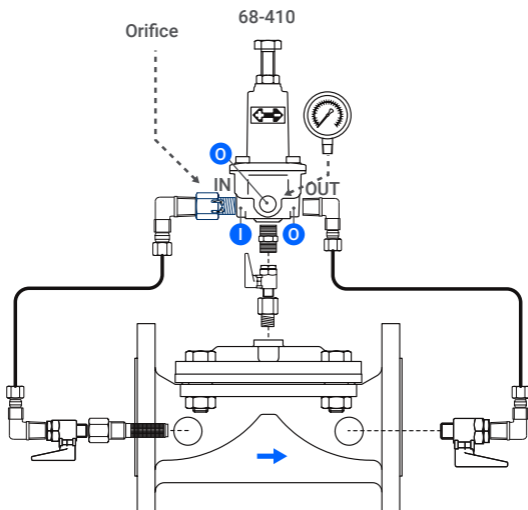
N.C. Electrically Controlled Pressure Reducing Valve (PR/EL) using 31-310 Metal Pilot



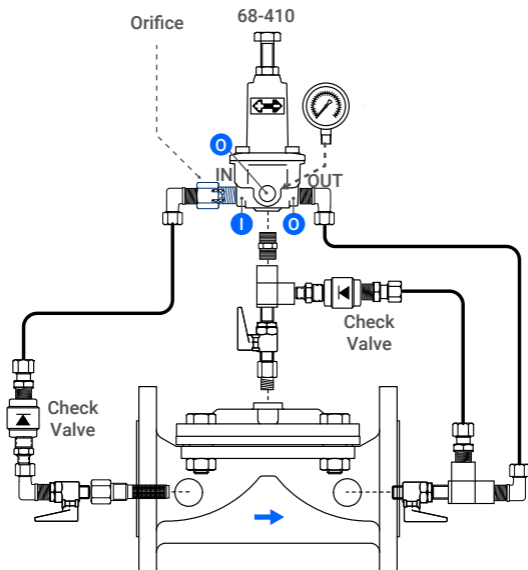
N.C. Remotely Controlled Pressure Reducing Valve (PR/RC) using 31-310 Metal Pilot



Pressure Reducing Valve (PR) using 68-410 Metal Pilot



Non-Return Pressure Reducing Valve (PR/CV) using 68-410 Metal Pilot



Proportional Pressure Reducing Valve (PRD)

