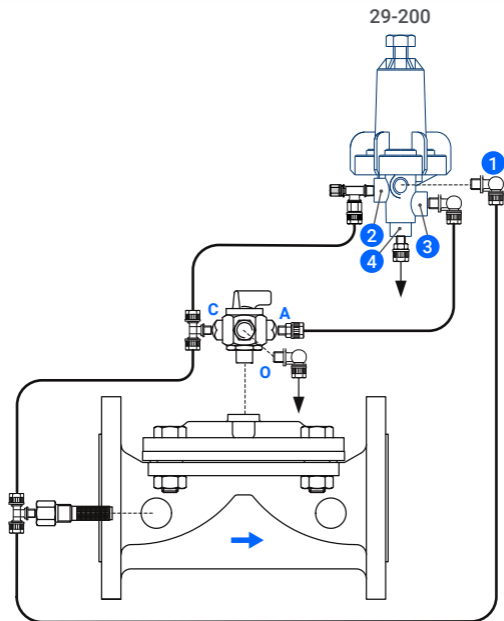
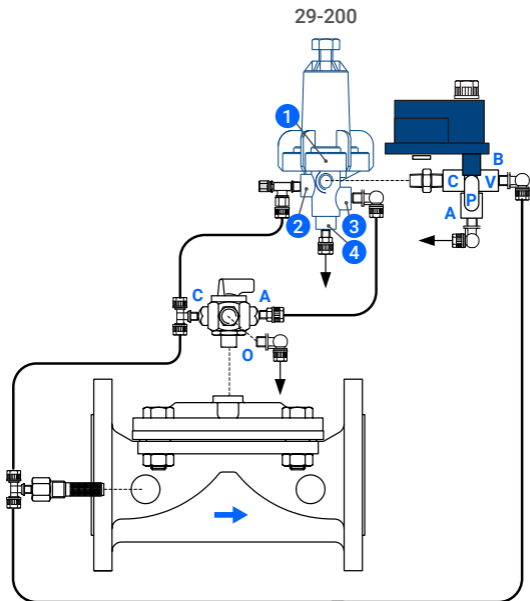


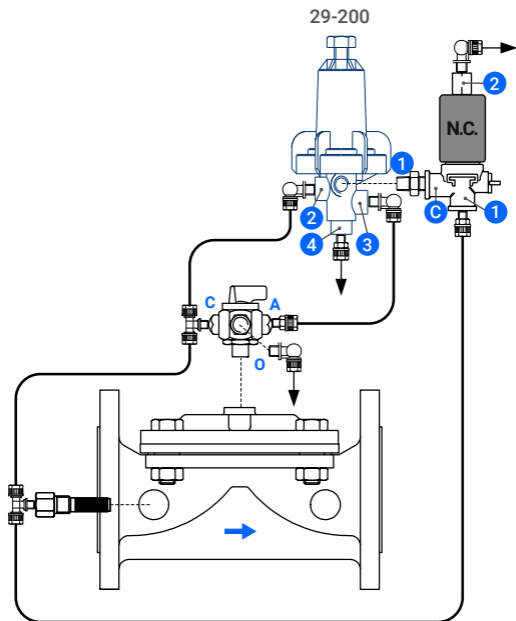
Pressure Sustaining Valve (PS) using 29-200 Plastic Pilot (Blue)



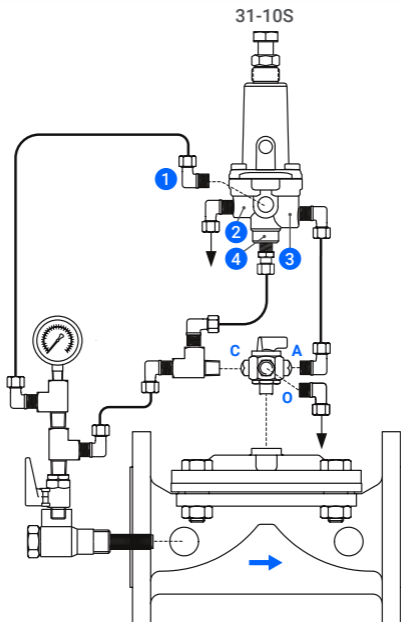
N.C. Electrically Controlled Pressure Sustaining Valve (PS/EL) using 29-200 Plastic Pilot (Blue) and Aquavive Solenoid



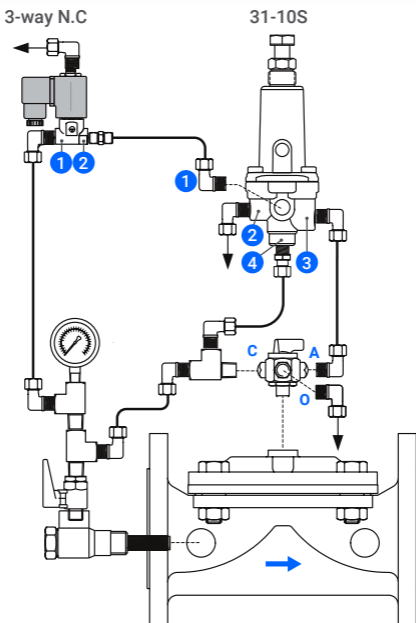
N.C. Electrically Controlled Pressure Sustaining Valve (PS/EL) using 29-200 Plastic Pilot (Blue)



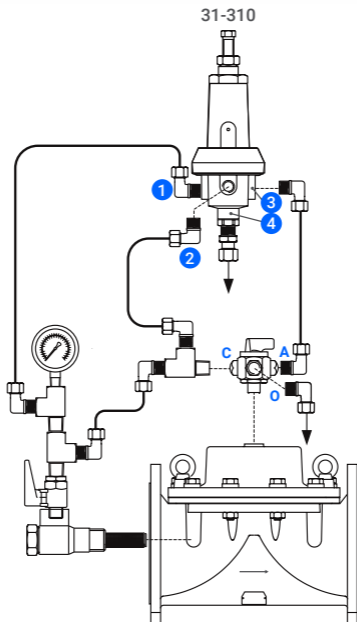
Pressure Sustaining Valve (PS) using 31-10S Metal Pilot



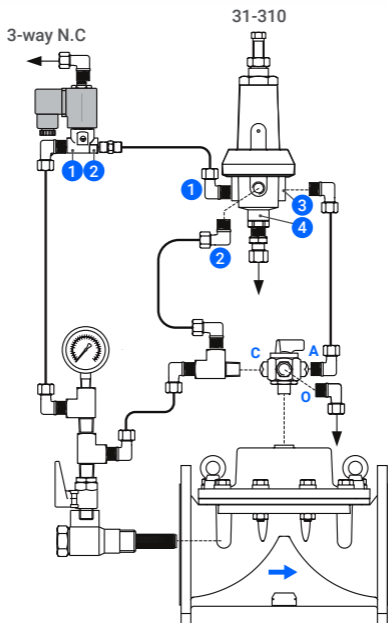
N.C. Electrically Controlled Pressure Sustaining Valve (PS/EL) using 31-10S Metal Pilot



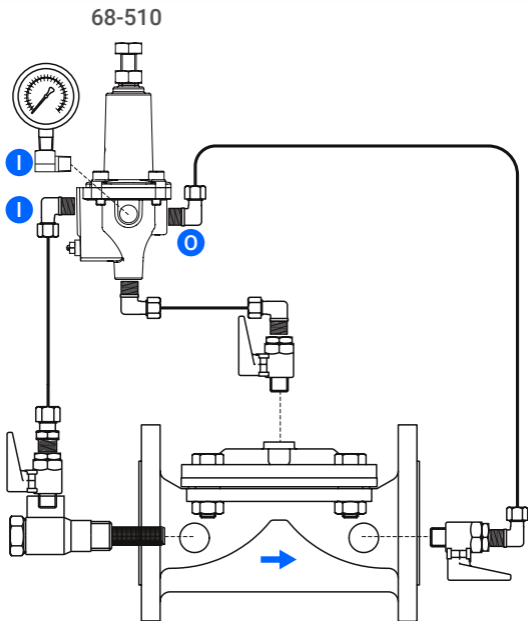
Pressure Sustaining Valve (PS) using 31-310 Metal Pilot



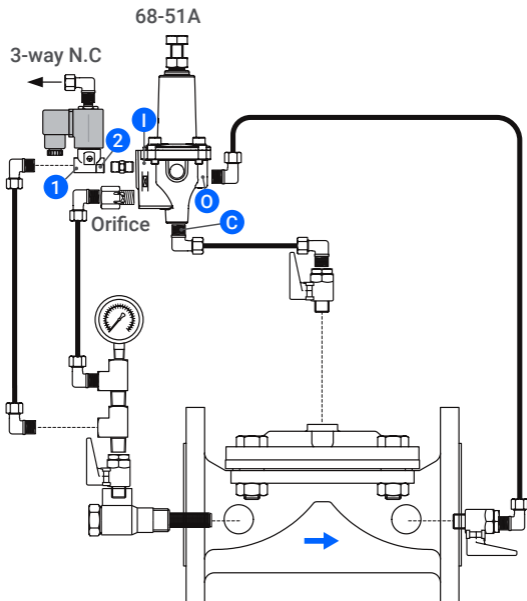
N.C. Electrically Controlled Pressure Sustaining Valve (PS/EL) using 31-310 Metal Pilot



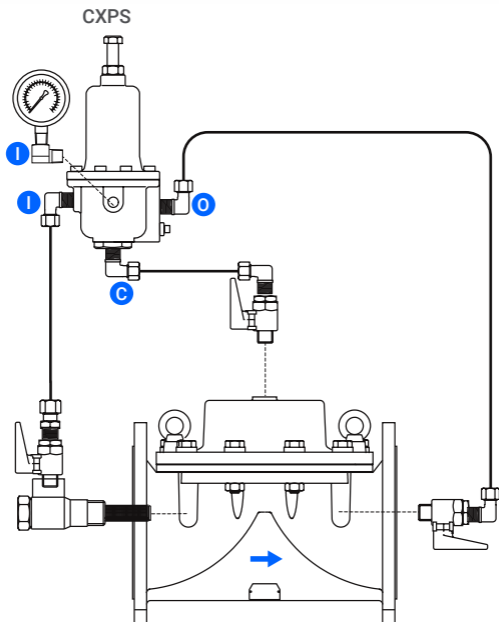
Pressure Sustaining Valve (PS) using 68-510 Metal Pilot



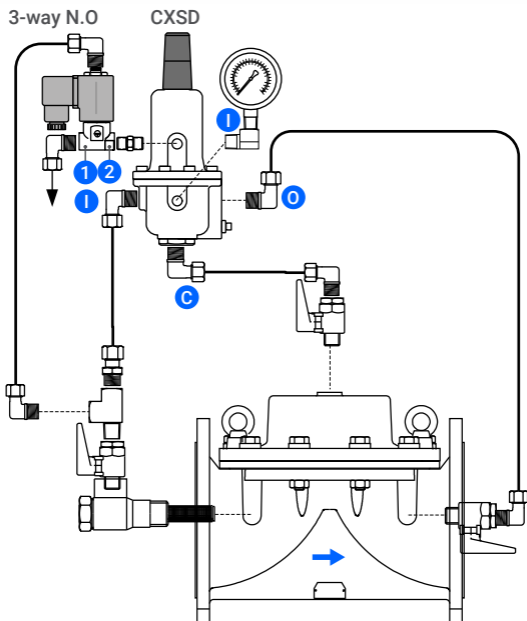
N.C. Electrically Controlled Pressure Sustaining Valve (PS/EL) using 68-51A Metal Pilot



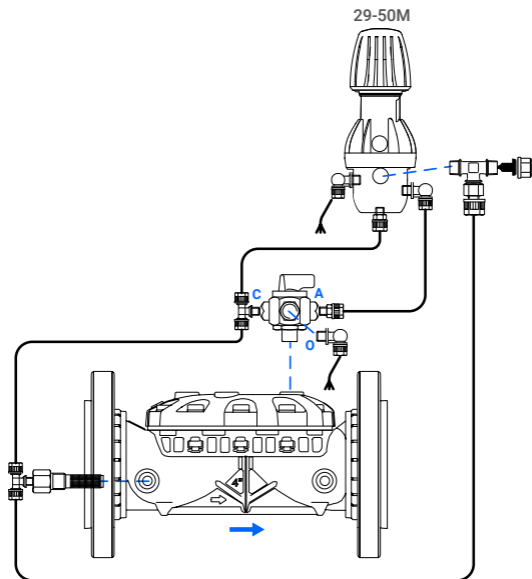
Pressure Sustaining Valve (PS) using CXPS Metal Pilot



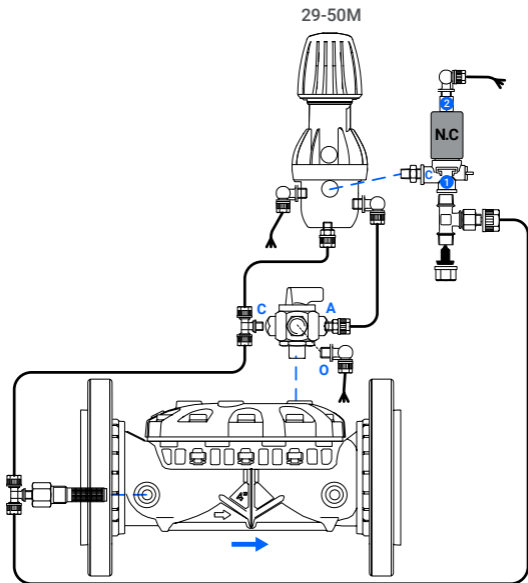
N.C. Electrically Controlled Pressure Sustaining Valve (PS/EL) using CXSD Metal Pilot



Pressure Sustaining Valve (PS) using 29-50M Plastic Mini Pilot



N.C. Electrically Controlled Pressure Sustaining Valve (PS/EL) using 29-50M Plastic Pilot



N.C. Electrically Controlled Pressure Sustaining Valve (PS/EL) using 29-50M Plastic Pilot and Aquative Solenoid

