

True Union Ball Valve

For a simple open/close function, whenever manual control or maintenance is needed, in any solution conveyance system.



Very high efficiency



High durability



Easy maintenance

/ Benefits & Features

- **Very high efficiency** Quarter turn shut off valve, threaded or glued socket, user-friendly design allowing smooth handle operation. True union ball valve, specifically designed for water application and safe pipeline operation.
- **High durability** Offers superior resistance to chemicals and acids, minimizing maintenance and repair costs. Components are crafted from materials designed to withstand high acid concentrations found in mines.
- **Easy maintenance** Designed for effortless installation and upkeep, promoting convenience for users. Ensure long-term reliability with minimal maintenance effort.

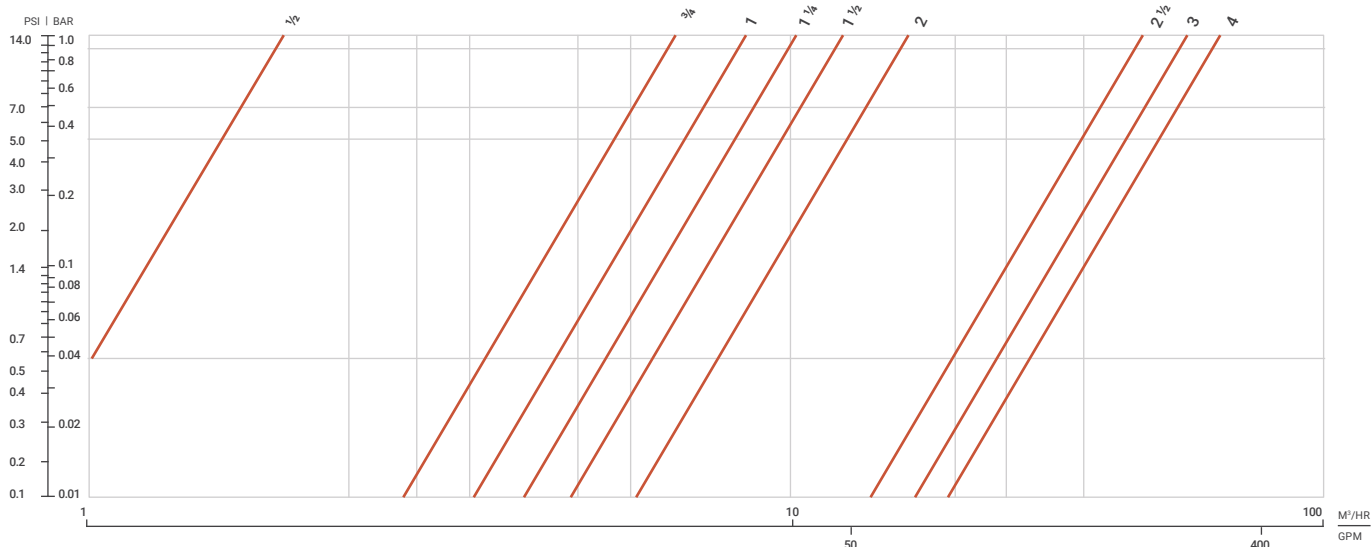
/ Specifications

- Temperature range of -5°C and 50°C, guaranteeing optimal performance in terms of mechanical resistance, good rigidity, low coefficients of thermal expansion and optimal safety factors in service.
- Operational up to 10 bar.
- Very low head losses.
- Wide range of connections - threaded (BSP or NPT standards) or SG, socket glued (ISO/DIN, ASTM, BS).

→ Packaging data

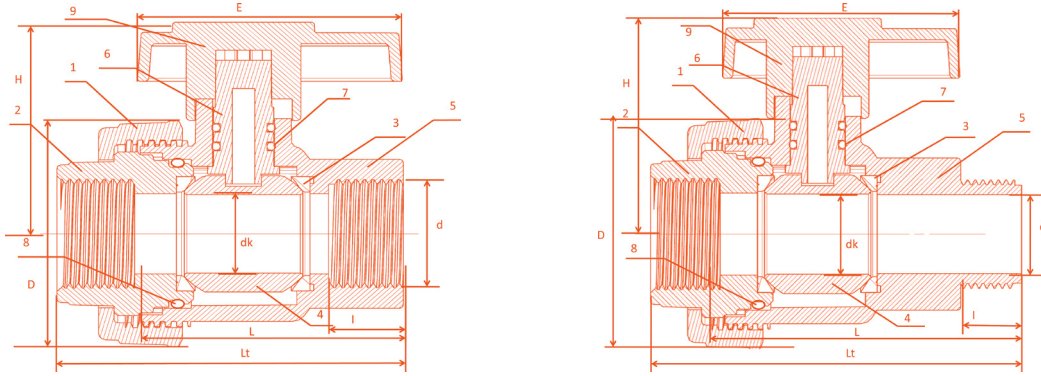
Model	Quantity p/box (units)	Box sizes (cm x cm x cm)	Female-female threaded connection box weight (kg)	Male-female threaded connection box weight (kg)	Socket glued connection box weight (kg)	Boxes p/pallet
½" - 20MM	150	43.0 x 33.0 x 39.0	24.55	26.00	24.70	12
¾" - 25MM	150		22.11	23.83	22.33	
1" - 32MM	75		17.03	17.74	16.84	
1¼" - 40MM	50		17.54	18.09	17.34	
1½" - 50MM	16		10.91	10.58	10.53	
2" - 63MM	8		8.68	8.90	8.52	
2½" - 75 MM	8		12.08	12.04	11.86	
3" - 90MM	4		15.93	13.09	12.85	
4" - 110MM	2		9.84	9.64	9.84	

→ Head loss



→ **Technical dimensions**

True union ball valves 1/2", 3/4", 1", 1 1/4" for mining



→ **Components raw materials**

PVC ball valves 1/2", 3/4", 1", 1 1/4" for mining

Inlet connector - threaded male / outlet connector - threaded female

size \ nom	BSP (TPI)	NPT (TPI)	DK (mm)	D (mm)	I (mm)	L (mm)	LT (mm)	E (mm)	H (mm)
1/2"	14.00	14.00	20.00	60.00	16.00	80.20	99.15	60.80	56.50
3/4"	14.00	14.00	20.00	60.00	18.00	80.20	99.15	60.80	56.50
1"	11.00	11.50	24.50	69.00	17.70	89.00	110.40	71.00	66.45
1 1/4"	11.00	11.50	31.80	79.50	25.70	88.00	122.80	105.00	70.30

#	Part name	Material	Qty.
1	Ring	UPVC	1
2	Bush**	UPVC	1
3	Seal	PTFE	2
4	Ball	UPVC	1
5	Body	UPVC	1
6	Shaft	UPVC	1
7	Shaft o-ring	VITON	2
8	Main o-ring**	VITON	1
9	Handle	PPFG	1
10	Threaded bush*	UPVC	1
11	Bush big o-ring*	VITON	1
12	Bush small o-ring*	VITON	1
13	Socket*	UPVC	1

* 1 1/4" Ball Valve

** 3/4" Ball Valve

Inlet connector - threaded female / outlet connector - threaded female

size \ nom	BSP (TPI)	NPT (TPI)	DK (mm)	D (mm)	I (mm)	L (mm)	LT (mm)	E (mm)	H (mm)
1/2"	14.00	14.00	20.00	60.00	16.00	63.50	82.60	60.80	56.50
3/4"	14.00	14.00	20.00	60.00	18.00	63.50	82.60	60.80	55.50
1"	11.00	11.50	24.50	69.00	19.55	70.50	93.00	71.00	66.45
1 1/4"	11.00	11.50	31.80	79.50	27.40	88.00	122.80	105.00	70.30

Inlet connector - socket glued / outlet connector - socket glued

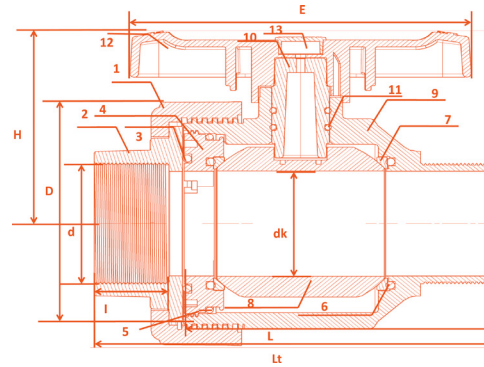
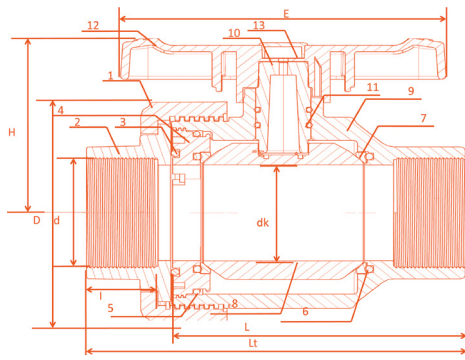
size \ nom	BSP (TPI)	NPT (TPI)	DK (mm)	D (mm)	I (mm)	L (mm)	LT (mm)	E (mm)	H (mm)
20mm	20.20	20.20	20.00	60.00	16.00	63.50	82.60	60.80	56.60
25mm	25.00	25.00	20.00	60.00	18.00	63.50	82.60	60.80	55.60
32mm	32.00	32.00	24.50	69.00	19.55	70.50	93.00	71.00	66.45
40mm	40.00	40.00	31.80	79.50	27.40	88.00	122.80	105.00	70.30

Inlet connector - socket glued / outlet connector - socket glued

size \ nom	BSP (TPI)	NPT (TPI)	DK (mm)	D (mm)	I (mm)	L (mm)	LT (mm)	E (mm)	H (mm)
1/2"	21.20	21.40	20.00	60.00	18.00	63.50	82.60	60.80	55.60
3/4"	26.67	26.00	20.00	60.00	18.00	63.50	82.60	60.80	55.60
1"	33.40	34.00	24.50	69.00	19.55	70.50	93.00	71.00	66.45
1 1/4"	42.16	42.00	31.80	79.50	27.40	88.00	122.80	105.00	70.30

→ **Technical dimensions**

True union ball valves 1½", 2", 2½", 3" for mining



→ **Components raw materials**

PVC ball valves 1½", 2", 2½", 3" for mining

Inlet - threaded male / outlet connector - threaded female

size \ nom	BSP (TPI)	NPT (TPI)	DK (mm)	D (mm)	I (mm)	L (mm)	LT (mm)	E (mm)	H (mm)
1½"	11.00	11.50	39.40	94.40	32.00	98.50	136.60	121.00	90.80
2"	11.00	11.50	49.50	116.00	35.40	119.00	164.80	150.00	97.00
2½"	11.00	8.00	59.00	131.60	45.50	139.50	197.20	162.00	110.00
3"	11.00	8.00	76.00	178.80	42.80	180.00	230.40	200.40	139.00

#	Part name	Material	Qty.
1	Ring	UPVC	1
2	Socket	UPVC	1
3	Bush small o-ring	VITON	1
4	Bush	UPVC	1
5	Bush big o-ring	VITON	1
6	Seal washer*	VITON	2
7	Seal	PTFE	2
8	Ball	UPVC	1
9	Body	UPVC	1
10	Shaft	UPVC	1
11	Shaft o-ring**	VITON	1
12	Handle	PPFG	1
13	Handle logo	PPFG	1

Inlet connector - threaded female / outlet connector - threaded female

size \ nom	BSP (TPI)	NPT (TPI)	DK (mm)	D (mm)	I (mm)	L (mm)	LT (mm)	E (mm)	H (mm)
1½"	11.00	11.50	39.40	94.40	32.00	76.60	148.80	121.00	88.30
2"	11.00	11.50	49.50	116.00	35.40	119.00	164.80	150.00	97.00
2½"	11.00	8.00	59.00	131.60	45.50	140.85	195.40	162.00	110.00
3"	11.00	8.00	76.00	178.80	42.80	178.10	250.00	200.40	139.00

* 3" ball valve

** 2" Model

Inlet connector - socket glued / outlet connector - socket glued

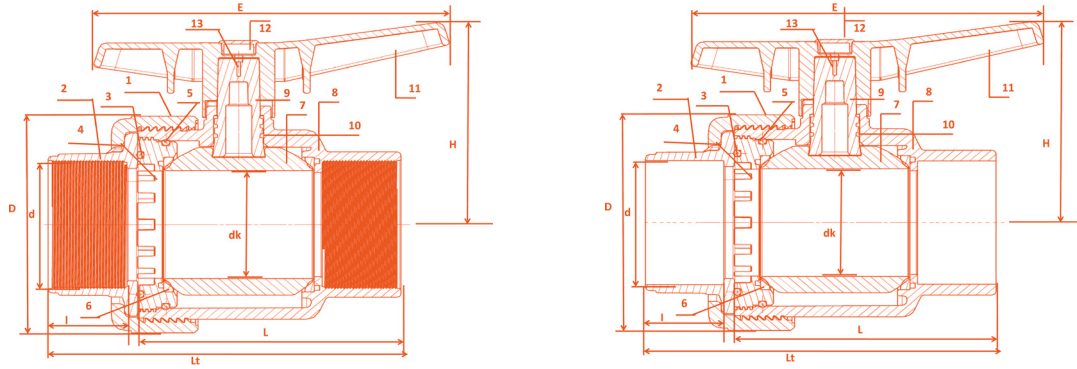
size \ nom	BSP (TPI)	NPT (TPI)	DK (mm)	D (mm)	I (mm)	L (mm)	LT (mm)	E (mm)	H (mm)
50mm	50.00	50.00	39.40	94.40	32.00	76.60	148.80	121.00	88.30
63mm	63.00	63.00	49.50	116.00	35.40	88.00	175.40	150.00	97.00
75mm	75.00	75.00	59.00	131.60	45.50	140.85	195.40	162.00	110.00
90mm	90.00	90.00	76.00	178.80	42.80	178.10	250.00	200.40	139.00

Inlet connector - socket glued / outlet connector - socket glued

size \ nom	BSP (TPI)	NPT (TPI)	DK (mm)	D (mm)	I (mm)	L (mm)	LT (mm)	E (mm)	H (mm)
1½"	48.26	48.00	39.40	94.40	32.00	76.60	148.80	121.00	88.30
2"	60.33	60.00	49.50	116.00	35.40	88.00	175.40	150.00	97.00
2½"	73.03	75.00	59.00	131.60	45.50	140.85	195.40	162.00	110.00
3"	88.90	89.00	76.00	178.80	42.80	178.10	250.00	200.40	139.00

→ **Technical dimensions**

True union ball valves 4" for mining



Inlet connector - threaded male / outlet connector - threaded female

size \ nom	BSP (TPI)	NPT (TPI)	DK (mm)	D (mm)	I (mm)	L (mm)	LT (mm)	E (mm)	H (mm)
4"	11.00	8.00	98.30	197.00	60.00	200.00	268.00	270.10	186.00

Inlet connector - threaded female / outlet connector - threaded female

size \ nom	BSP (TPI)	NPT (TPI)	DK (mm)	D (mm)	I (mm)	L (mm)	LT (mm)	E (mm)	H (mm)
4"	11.00	8.00	98.30	197.00	60.00	200.00	268.00	270.10	186.00

Inlet connector - socket glued / outlet connector - socket glued

size \ nom	BSP (TPI)	NPT (TPI)	DK (mm)	D (mm)	I (mm)	L (mm)	LT (mm)	E (mm)	H (mm)
110mm	110.00	110.00	98.30	196.50	60.00	200.00	268.00	270.10	186.00

Inlet connector - socket glued / outlet connector - socket glued

size \ nom	BSP (TPI)	NPT (TPI)	DK (mm)	D (mm)	I (mm)	L (mm)	LT (mm)	E (mm)	H (mm)
4"	114.30	114.00	98.30	196.50	60.00	200.00	268.00	270.10	186.00

→ **Components raw materials**

PVC ball valves 4" for mining

#	Part name	Material	Qty.
1	Ring	UPVC	1
2	Socket	UPVC	1
3	Bush small o-ring	VITON	1
4	Bush	UPVC	1
5	Bush big o-ring	VITON	1
6	Seal	PTFE	2
7	Ball	UPVC	1
8	Body	UPVC	1
9	Shaft	UPVC	1
10	Shaft o-ring	VITON	3
11	Handle	PPFG	1
12	Handle logo	PPFG	1

→ **Catalog numbers**

True union ball valves

Description	Catalog number
NMV PVC BALL VLV 1 UNION ½" FFT BSP	77450-000216
NMV PVC BALL VLV 1 UNION ¾" FFT BSP	77450-000100
NMV PVC BALL VLV 1 UNION 1" FFT BSP	77450-000101
NMV PVC BALL VLV 1 UNION 1¼" FFT BSP	77450-000102
NMV PVC BALL VLV 1 UNION 1½" FFT BSP	77450-000103
NMV PVC BALL VLV 1 UNION 2" FFT BSP	77450-000104
NMV PVC BALL VLV 1 UNION 2½" FFT BSP	77450-000105
NMV PVC BALL VLV 1 UNION 3" FFT BSP	77450-000106
NMV PVC BALL VLV 1 UNION 4" FFT BSP	77450-000107
NMV PVC BALL VLV 1 UNION ½" FFT NPT	77450-000217
NMV PVC BALL VLV 1 UNION ¾" FFT NPT	77450-000208
NMV PVC BALL VLV 1 UNION 1" FFT NPT	77450-000209
NMV PVC BALL VLV 1 UNION 1¼" FFT NPT	77450-000210
NMV PVC BALL VLV 1 UNION 1½" FFT NPT	77450-000211
NMV PVC BALL VLV 1 UNION 2" FFT NPT	77450-000212
NMV PVC BALL VLV 1 UNION 2½" FFT NPT	77450-000213
NMV PVC BALL VLV 1 UNION 3" FFT NPT	77450-000214
NMV PVC BALL VLV 1 UNION 4" FFT NPT	77450-000215
NMV PVC BALL VLV 1 UNION ½" FMT BSP	77450-000218
NMV PVC BALL VLV 1 UNION ¾" FMT BSP	77450-000120
NMV PVC BALL VLV 1 UNION 1" FMT BSP	77450-000121
NMV PVC BALL VLV 1 UNION 1¼" FMT BSP	77450-000122
NMV PVC BALL VLV 1 UNION 1½" FMT BSP	77450-000123
NMV PVC BALL VLV 1 UNION 2" FMT BSP	77450-000124
NMV PVC BALL VLV 1 UNION 2½" FMT BSP	77450-000125
NMV PVC BALL VLV 1 UNION 3" FMT BSP	77450-000126
NMV PVC BALL VLV 1 UNION 4" FMT BSP	77450-000127
NMV PVC BALL VLV 1 UNION ½" FMT NPT	77450-000219
NMV PVC BALL VLV 1 UNION ¾" FMT NPT	77450-000149
NMV PVC BALL VLV 1 UNION 1" FMT NPT	77450-000150
NMV PVC BALL VLV 1 UNION 1¼" FMT NPT	77450-000152
NMV PVC BALL VLV 1 UNION 1½" FMT NPT	77450-000153
NMV PVC BALL VLV 1 UNION 2" FMT NPT	77450-000151
NMV PVC BALL VLV 1 UNION 2½" FMT NPT	77450-000154
NMV PVC BALL VLV 1 UNION 3" FMT NPT	77450-000155
NMV PVC BALL VLV 1 UNION 4" FMT NPT	77450-000156

Description	Catalog number
NMV PVC BALL VLV 1 UNION 20MM SG ISO/D	77450-000220
NMV PVC BALL VLV 1 UNION 25MM SG ISO/D	77450-000200
NMV PVC BALL VLV 1 UNION 32MM SG ISO/D	77450-000201
NMV PVC BALL VLV 1 UNION 40MM SG ISO/D	77450-000202
NMV PVC BALL VLV 1 UNION 50MM SG ISO/D	77450-000203
NMV PVC BALL VLV 1 UNION 63MM SG ISO/D	77450-000204
NMV PVC BALL VLV 1 UNION 75MM SG ISO/D	77450-000205
NMV PVC BALL VLV 1 UNION 90MM SG ISO/D	77450-000206
NMV PVC BALL VLV 1 UNION 110MM SG ISO/D	77450-000207
NMV PVC BALL VLV 1 UNION ½" SG BS	77450-000221
NMV PVC BALL VLV 1 UNION ¾" SG BS	77450-000360
NMV PVC BALL VLV 1 UNION 1" SG BS	77450-000361
NMV PVC BALL VLV 1 UNION 1¼" SG BS	77450-000362
NMV PVC BALL VLV 1 UNION 1½" SG BS	77450-000108
NMV PVC BALL VLV 1 UNION 2" SG BS	77450-000350
NMV PVC BALL VLV 1 UNION 2½" SG BS	77450-000109
NMV PVC BALL VLV 1 UNION 3" SG BS	77450-000110
NMV PVC BALL VLV 1 UNION 4" SG BS	77450-000367
NMV PVC BALL VLV 1 UNION ½" SG ASTM	77450-000380
NMV PVC BALL VLV 1 UNION ¾" SG ASTM	77450-000381
NMV PVC BALL VLV 1 UNION 1" SG ASTM	77450-000382
NMV PVC BALL VLV 1 UNION 1¼" SG ASTM	77450-000383
NMV PVC BALL VLV 1 UNION 1½" SG ASTM	77450-000384
NMV PVC BALL VLV 1 UNION 2" SG ASTM	77450-000385
NMV PVC BALL VLV 1 UNION 2½" SG ASTM	77450-000386
NMV PVC BALL VLV 1 UNION 3" SG ASTM	77450-000387
NMV PVC BALL VLV 1 UNION 4" SG ASTM	77450-000388

→ **Catalog numbers**

Polypropylene true union ball valves

Description	Catalog number
NMV PP BALL VLV 1 UNION ¾" FFT BSP	77449-000101
NMV PP BALL VLV 1 UNION 1" FFT BSP	77449-000102
NMV PP BALL VLV 1 UNION 1¼" FFT BSP	77449-000103
NMV PP BALL VLV 1 UNION 1½" FFT BSP	77449-000104
NMV PP BALL VLV 1 UNION 2" FFT BSP	77449-000105
NMV PP BALL VLV 1 UNION 2½" FFT BSP	77449-000106
NMV PP BALL VLV 1 UNION 3" FFT BSP	77449-000107
NMV PP BALL VLV 1 UNION 4" FFT BSP	77449-000108
NMV PP BALL VLV 1 UNION ¾" FFT NPT	77449-000131
NMV PP BALL VLV 1 UNION 1" FFT NPT	77449-000132
NMV PP BALL VLV 1 UNION 1¼" FFT NPT	77449-000133
NMV PP BALL VLV 1 UNION 1½" FFT NPT	77449-000134
NMV PP BALL VLV 1 UNION 2" FFT NPT	77449-000135
NMV PP BALL VLV 1 UNION 2½" FFT NPT	77449-000136
NMV PP BALL VLV 1 UNION 3" FFT NPT	77449-000137
NMV PP BALL VLV 1 UNION 4" FFT NPT	77449-000138
NMV PP BALL VLV 1 UNION ¾" FMT BSP	77449-000151
NMV PP BALL VLV 1 UNION 1" FMT BSP	77449-000152
NMV PP BALL VLV 1 UNION 1¼" FMT BSP	77449-000153
NMV PP BALL VLV 1 UNION 1½" FMT BSP	77449-000154
NMV PP BALL VLV 1 UNION 2" FMT BSP	77449-000155
NMV PP BALL VLV 1 UNION 2½" FMT BSP	77449-000156
NMV PP BALL VLV 1 UNION 3" FMT BSP	77449-000157
NMV PP BALL VLV 1 UNION 4" FMT BSP	77449-000158
NMV PP BALL VLV 1 UNION ¾" FMT NPT	77449-000171
NMV PP BALL VLV 1 UNION 1" FMT NPT	77449-000172
NMV PP BALL VLV 1 UNION 1¼" FMT NPT	77449-000173
NMV PP BALL VLV 1 UNION 1½" FMT NPT	77449-000174
NMV PP BALL VLV 1 UNION 2" FMT NPT	77449-000175
NMV PP BALL VLV 1 UNION 2½" FMT NPT	77449-000176
NMV PP BALL VLV 1 UNION 3" FMT NPT	77449-000177
NMV PP BALL VLV 1 UNION 4" FMT NPT	77449-000178

Description	Catalog number
NMV PP BALL VLV 1 UNION 25MM SG ISO/D	77449-000201
NMV PP BALL VLV 1 UNION 32MM SG ISO/D	77449-000202
NMV PP BALL VLV 1 UNION 40MM SG ISO/D	77449-000203
NMV PP BALL VLV 1 UNION 50MM SG ISO/D	77449-000204
NMV PP BALL VLV 1 UNION 63MM SG ISO/D	77449-000205
NMV PP BALL VLV 1 UNION 75MM SG ISO/D	77449-000206
NMV PP BALL VLV 1 UNION 90MM SG ISO/D	77449-000207
NMV PP BALL VLV 1 UNION 110MM SG ISO/D	77449-000208
NMV PP BALL VLV 1 UNION ¾" SG ASTM	77449-000221
NMV PP BALL VLV 1 UNION 1" SG ASTM	77449-000222
NMV PP BALL VLV 1 UNION 1¼" SG ASTM	77449-000223
NMV PP BALL VLV 1 UNION 1½" SG ASTM	77449-000224
NMV PP BALL VLV 1 UNION 2" SG ASTM	77449-000225
NMV PP BALL VLV 1 UNION 2½" SG ASTM	77449-000226
NMV PP BALL VLV 1 UNION 3" SG ASTM	77449-000227
NMV PP BALL VLV 1 UNION 4" SG ASTM	77449-000228
NMV PP BALL VLV 1 UNION ¾" SG BS	77449-000241
NMV PP BALL VLV 1 UNION 1" SG BS	77449-000242
NMV PP BALL VLV 1 UNION 1¼" SG BS	77449-000243
NMV PP BALL VLV 1 UNION 1½" SG BS	77449-000244
NMV PP BALL VLV 1 UNION 2" SG BS	77449-000245
NMV PP BALL VLV 1 UNION 2½" SG BS	77449-000246
NMV PP BALL VLV 1 UNION 3" SG BS	77449-000247
NMV PP BALL VLV 1 UNION 4" SG BS	77449-000248

Angle Seat "Y" Valves

Experience seamless flow, low-pressure loss, and robust construction. With multi-turn linear motion and durable engineering plastic, precision and simplicity unite for unparalleled mining performance. Elevate your control with our efficient solution.



Long-lasting performance



High durability



Easy maintenance

/ Benefits & Features

- **Long-lasting performance** Engineered with durability in mind. Supports long-term performance and reliability.
- **High durability** Offers superior resistance to chemicals and acids, minimizing maintenance and repair costs. Components are crafted from materials designed to withstand high acid concentrations found in mines.
- **Easy maintenance** Designed for effortless installation and upkeep, promoting convenience for users. Ensure long-term reliability with minimal maintenance effort.

/ Specifications

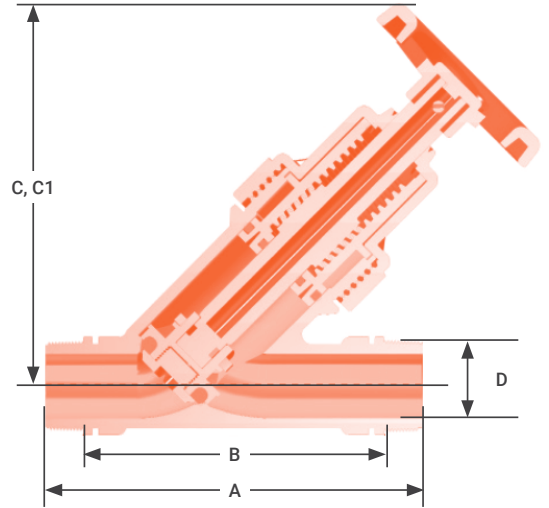
- Operating pressure range – up to 10 bars (PN10).
- High strength Polypropylene.
- 2" BSP or NPT male threaded.
- Manual, hand operated.
- Recommended flow – up to 50 m³/h.
- High quality Nitrile seal.

→ **Technical dimensions**

Inlet connector - threaded male / Outlet connector - threaded male

Size	Nom	BSP (TPI)	NPT (TPI)	A (mm)	B (mm)	C* (mm)	C1** (mm)
2"		11.00	11.50	252.0	200.0	254.0	292.0

* When valve is fully closed
 ** When valve is fully opened



→ **Packaging data**

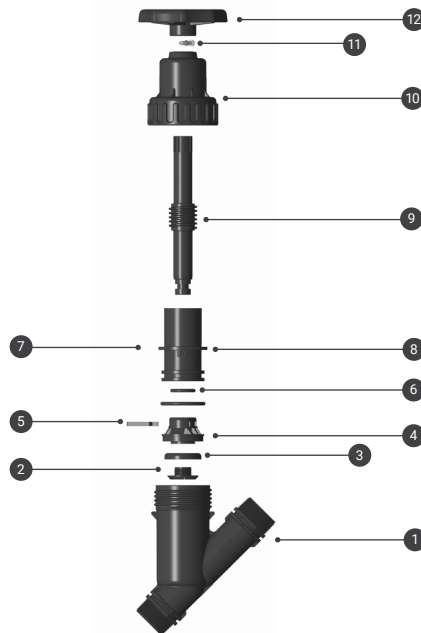
Model	Quantity p/box (units)	Box sizes (cm x cm x cm)	Box weight (kg)	Boxes p/pallet
2"	2	39.5 x 36.5 x 14.5	2.8	63

→ **Components raw materials**

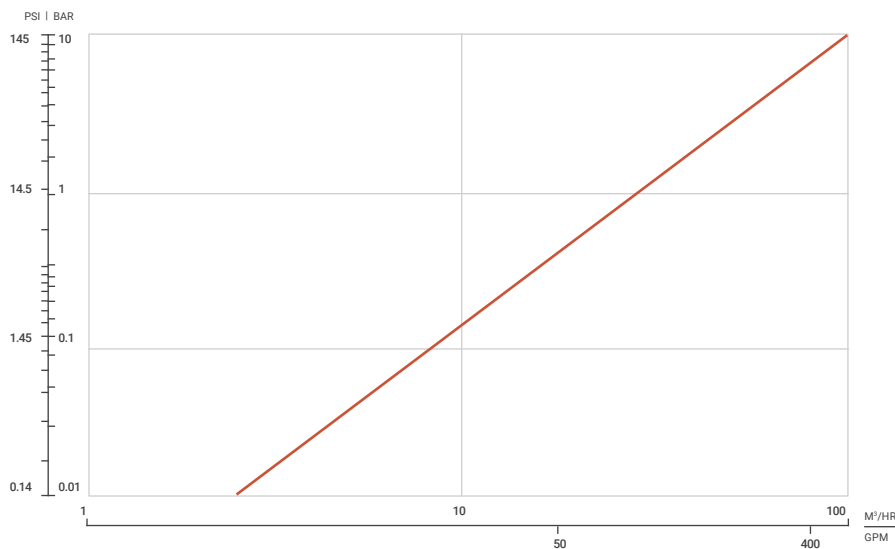
Angle seat "Viton" version

#	Part name	Material	Quantity
1	Body	PP	1
2	Seal cup lock	PP	1
3	Seal	VITON	1
4	Seal cup	PP	1
5	Lock clip	PP	1
6	Stem housing o-ring (outer)	VITON	1
7	Stem housing o-ring (inner)	VITON	1
8	Stem housing	PP	1
9	Shaft	PP	1
10	Cap	PP	1
11	Lock pin	PP	1
12	Throttle wheel (purple color)	PP	1

PP = Polypropylene



→ **Head loss**



→ Catalog numbers

Product illustration	Product description	Catalog number
	NMV PP ANGLE SEAT "Y" 2" BSP	77457-000100
	NMV PP ANGLE SEAT "Y" 2" NPT	77457-000101
	NMV PP ANGLE SEAT "Y" 2" BSP VITON	77457-000102
	NMV PP ANGLE SEAT "Y" 2" NPT VITON	77457-000103

* Additional diameters are available upon request

PVC Butterfly Valves

Physical shut off, manual restriction, control or service needs, for any fluid conveyance system.



Outstanding performance



Superb quality



High durability

/ Benefits & Features

- **Outstanding performance** Offers high flow capacity with a mechanism for efficient water passage. Ensures robust functionality under varying operational demands.
- **Superb quality** Adheres to the highest industry standards, ensuring superior performance and preventing leakage. Guarantees reliability across applications.
- **High durability** Offers superior resistance to chemicals and acids, minimizing maintenance and repair costs. Components are crafted from materials designed to withstand high acid concentrations found in mines.

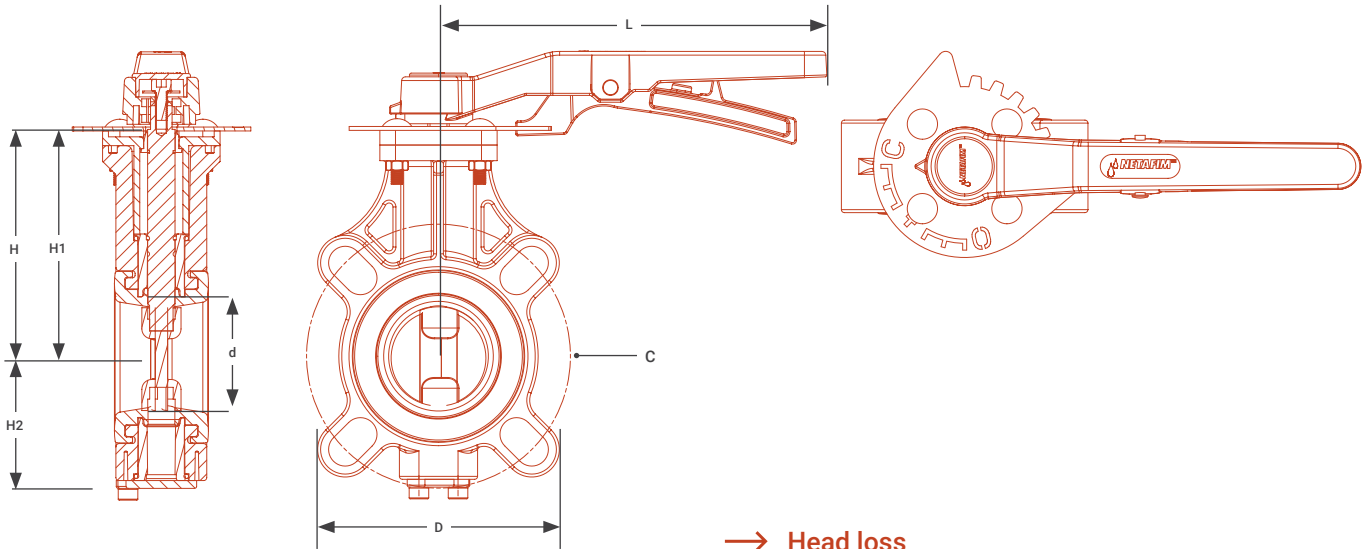
/ Specifications

- Ergonomic multifunctional handle enabling quick operation, with 15 degrees' adjustment graduations.
- Drilling pattern with oval slots allowing coupling to flanges and complying with numerous international standards.
- Can also be installed as an end line valve, bottom discharge valve or tank dump valve.
- Maximum working pressure 10 bar.
- One-piece body made of PVC-U.
- Disc designed ensuring low torque and low head loss.
- Suitable for piping in a limited space: 46 mm (models 2", 2½", 3") and 56 mm (model 4").

→ Packaging data

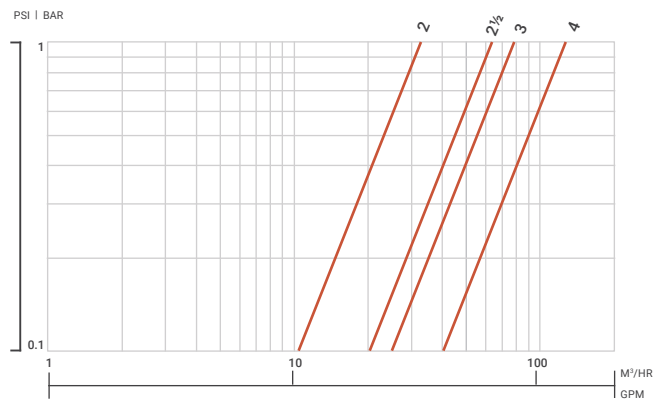
Model	Quantity p/box (units)	Box sizes (cm x cm x cm)	Box weight (kg)	Boxes p/pallet
2"	2	39.5 x 28.5 x 13.0	2.98	48
2½"			3.40	
3"			3.73	
4"		40.0 x 37.5 x 13.5	5.79	30

→ Technical dimensions



Size	2"	2½"	3"	4"
Nom				
d	50	65	80	100
D	117	112	128	162
H1	130	134	144	152
H2	71	88	91	106
H	165	174	182	197
L	198.5	198.5	198.5	279.0
C(POD)	120.8	137.5	155.5	183.0

→ Head loss



→ Catalog numbers

Product illustration	Product description	Catalog number
	NMV PVC B.FLY VLV 2" 4 S BTW FLNG	77452-000100
	NMV PVC B.FLY VLV 2½" 4 S BTW FLNG	77452-000101
	NMV PVC B.FLY VLV 3" 4 S BTW FLNG	77452-000102
	NMV PVC B.FLY VLV 4" 4/8 S BTW FLNG	77452-000103

Metal Butterfly Valves

Simple, light and reliable for installation wherever there is a need to cut the flow passage in pipes and systems.



Superb
quality



High
durability



Versatility

/ Benefits & Features

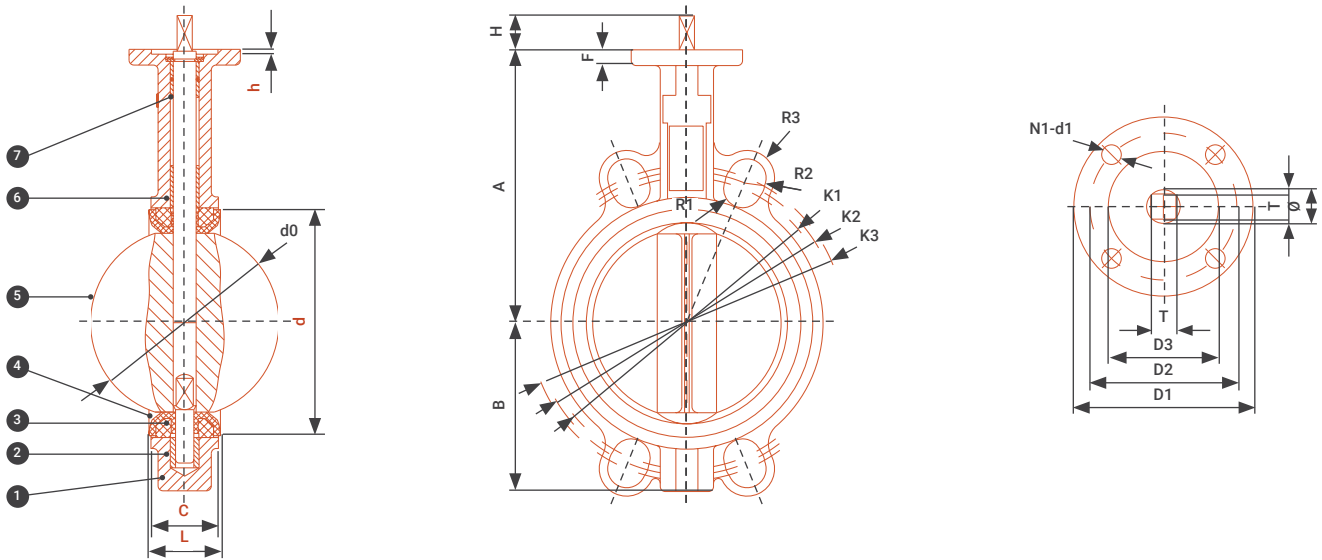
- **Superb quality** Adheres to the highest industry standards, ensuring superior performance and preventing leakage. Guarantees reliability across applications.
- **High durability** Offers superior resistance to chemicals and acids, minimizing maintenance and repair costs. Components are crafted from materials designed to withstand high acid concentrations found in mines.
- **Versatility** Supplied in various sizes. Adapts to a wide range of applications for maximum flexibility.

/ Specifications

- Type concentric.
- Pressure grade PN16.
- Working pressure 16 bar.
- Available diameters DN50 to DN600.
- Working temperature 0°C to 80°C .
- Connection wafer.
- Coating fusion bonded epoxy 250 µm.

* Other materials and specifications on request.

→ Technical dimensions for body

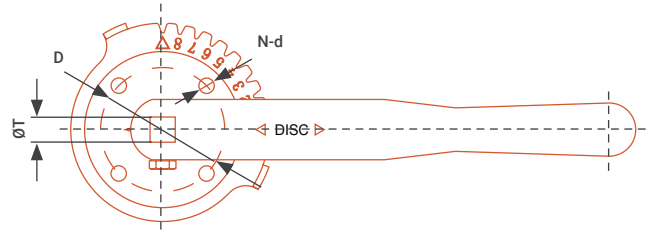
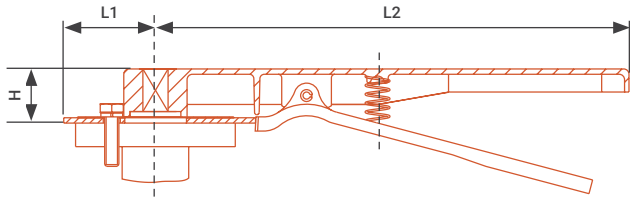


dn	A	B	h	d0	c	l	d	k1	k2	k3	r1	r2	r3	f	d1	d2	d3	h	4-d1	Ø	t
50	125	73	28	52.6	43	46	73.3	120.6	125	124	10.5	-	10.5	10	65	50	35	4	7	12.6	9
65	136	82	28	64.3	46	49	86.0	139.7	145	145	10.5	-	10.5	10	65	50	35	4	7	12.6	9
80	142	91	28	78.8	46	49	100.9	152.4	160	160	10.5	-	10.5	10	65	50	35	4	7	12.6	9
100	163	107	28	104	52	55	132	180	180	190.5	10.5	-	10.5	12	90	70	55	4	10	15.77	11
125	176	127	28	123.3	56	59	156	210	210	215.9	12.2	-	12.2	12	90	70	55	4	10	18.92	14
150	197	143	28	155.7	56	59	185.4	240	240	241.3	12.2	-	12.2	12	90	70	55	4	10	18.92	14
200	230	170	38	202.4	60	64	235.2	295	295	298.5	12.2	12.5	12.2	15	125	102	70	4	12	22.1	17
250	260	204	38	250.4	68	72	289.4	350	355	361.9	13.7	15	13.7	15	125	102	70	4	12	28.45	22
300	292	240	38	301.5	78	82	341.2	400	410	431.8	13.7	15	13.7	15	125	102	70	4	12	31.6	22

→ Components raw materials

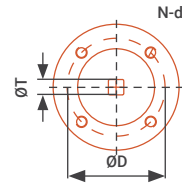
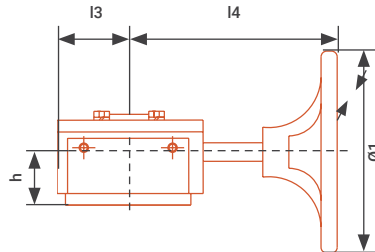
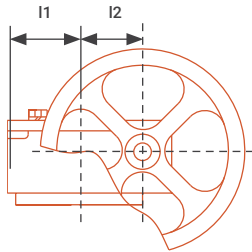
#	Part name	Material	Specification
1	Body	Ductile Iron	GGG40
2	Shaft	Stainless Steel	AISI 420
3	Disc	Stainless Steel	AISI 316
4	Seat	EPDM	EN681
5	Bearing	PFTE	Commercial
6	Ring seal	EPDM	EN681
7	Indicator plate	Stainless Steel	AISI 420

→ Technical dimensions for lever



dn	h	l1	l2	d	N-d	ØT
50	28	52	267	50	4-7	9
65	28	52	267	50	4-7	9
80	28	52	267	50	4-7	9
100	28	52	267	70	4-10	11
125	28	52	267	70	4-10	14
150	28	52	267	70	4-10	14
200	38	75	359	102	4-12	17
250	38	75	359	102	4-12	22
300	38	75	359	102	4-12	22

→ Technical dimensions for gearbox



dn	h	l1	l2	l3	l4	Ø1	d1	N-d	ØT
50	35	51	43	51	151	154	50	4-m6	9
65	35	51	43	51	151	145	50	4-m6	9
80	35	51	43	51	151	145	50	4-m6	9
100	35	51	43	51	151	145	70	4-m8	11
125	35	51	43	51	151	145	70	4-m8	14
150	35	51	43	51	151	145	70	4-m8	14
200	42	72	65	72	210	285	102	4-m10	17
250	42	72	65	72	210	285	102	4-m10	22
300	45	94	79	94	190	285	102	4-m10	22

→ Catalog numbers

Description	Catalog number
Gaer butterfly valve 2" lever - SST disc	71660-000970
Gaer butterfly valve 3" lever - SST disc	71660-000971
Gaer butterfly valve 4" lever - SST disc	71660-000972
Gaer butterfly valve 6" lever - SST disc	71660-000973
Gaer butterfly valve 8" lever - SST disc	71660-000974
Gaer butterfly valve 10" lever - SST disc	71660-000975
Gaer butterfly valve 2" gear - SST disc	71660-000980
Gaer butterfly valve 3" gear - SST disc	71660-000981
Gaer butterfly valve 4" gear - SST disc	71660-000982
Gaer butterfly valve 6" gear - SST disc	71660-000983
Gaer butterfly valve 8" gear - SST disc	71660-000984
Gaer butterfly valve 10" gear - SST disc	71660-000985

* Additional diameters, materials and specifications are available upon request.

06-12244-MIN-PS-0020EN



Precision Agriculture

Want to know more?
mining@netafim.orbia.com

