



Precision  
Agriculture



# Water Storage Solutions

June 2024 v5.0

/ Product Catalog





# / Contents

## → Water Tanks

<b>NetaTank™</b> .....	<b>6</b>
Covers.....	8
Water Tank Volumes for Tension Covers.....	10
Water Tank Volumes for Metal Covers.....	11
<b>Installation Instructions</b> .....	<b>12</b>
<b>Catalog Numbers</b>	
Water Tanks with Tension Cover .....	28
Water Tanks with Tension Cover with Central Post.....	36
Water Tanks with Floating Covers.....	45
Water Tanks with Metal Covers .....	64
<b>Liner Ordering Form</b> .....	<b>68</b>
Liner Ordering Form Example .....	69
<b>Water Tanks Sketch Example</b> .....	<b>70</b>
<b>Catalog Numbers for Inlet, Outlet &amp; Flow Systems</b> .....	<b>71</b>
<b>NetaTank™ Outlets</b> .....	<b>74</b>
<b>Metal Sheets Thickness</b> .....	<b>75</b>
<b>Reinforcement Ring</b> .....	<b>79</b>
<b>Installation Examples</b> .....	<b>87</b>

## → Water Reservoir Unique Solutions

HDPE Super Seal Geomembrane Smooth.....	86
Geotextile S18NW .....	87
Floating Cover .....	88
Hexa-Cover® Inflexible Cover .....	89
Airfloat Cover.....	90

Products appearing in this catalog may be covered by one or more of the following US Patent Nos. 7644735, 7410108 and other U.S. patents pending or corresponding issued or pending foreign patents. All rights are reserved. You are specifically prohibited and not allowed to reproduce, copy, duplicate, manufacture, supply, sell, hire, distribute or adapt all or any part of this publication including any packaging. Netafim™, are trademarks of Netafim™ Ltd., registered in the U.S. and other countries. We endeavor to provide accurate, quality and detailed information. However we cannot accept liability for your reliance on the provided information and you are advised to independently seek professional advice from Netafim™ and/or its authorized representatives. There is no undertaking by us that the provided information or any part thereof is accurate, complete or up to date. Mention of third-party products is for informational purposes only and constitutes neither an endorsement nor a recommendation. Netafim™ assumes no responsibility with regard to the performance or use of these products. In no event shall Netafim™ be liable for any indirect, incidental, special or consequential damages.



## About Netafim

Netafim, Orbia's Precision Agriculture business, is the world's largest irrigation company and the global leader in precision agriculture solutions committed to fight scarcity of food, water and land, for a sustainable future.

Founded in 1965, Netafim pioneered the drip revolution, creating a paradigm shift toward precision irrigation. Today, specializing in end-to-end solutions from the water source to the root zone, Netafim delivers irrigation and greenhouse projects, as well as landscape and mining solutions supported by engineering, project management and financing services. Netafim is also leading the way in digital farming, integrating real-time monitoring, analysis and automated control into one state-of-the-art system.

With 33 subsidiaries, 19 manufacturing plants, 2 recycling plants and 5000 employees worldwide, Netafim delivers innovative, tailor-made irrigation and fertigation solutions to millions of farmers, allowing smallholders to large-scale agricultural producers, in over 110 countries, to grow more with less™.

See how Netafim's solutions are driving sustainable agriculture and a food secure future at [www.netafim.com](http://www.netafim.com)

## About Orbia

Orbia is a company driven by a shared purpose: to advance life around the world. Orbia operates in the Polymer Solutions (Vestolit and Alphagary), Building and Infrastructure (Wavin), Precision Agriculture (Netafim), Connectivity Solutions (Dura-Line) and Fluorinated Solutions (Koura) sectors.

The five Orbia business groups have a collective focus on expanding access to health and wellness, reinventing the future of cities and homes, ensuring food and water security, connecting communities to information and accelerating a circular economy with basic and advanced materials, specialty products and innovative solutions. Orbia has commercial activities in more than 110 countries and operations in over 50, with global headquarters in Boston, Mexico City, Amsterdam and Tel Aviv.

To learn more, visit: [www.orbia.com](http://www.orbia.com)



# NetaTank™ Water Tanks

NetaTank™ is a complete water tank solution, available with all relevant components, including covers, liners, steels, enclosures, and outlets. Netafim™ water tanks address a wide range of applications such as fresh, treated, grey, recycled, poor-quality waters as well as rainwater.



Complete solution



Compact



Easy installation

## / Benefits & Features

- Complete solution All components are designed to work together to create a robust and reliable water tank solution
- Compact Reduces shipping costs
- Easy to install User-friendly installation manual provided
- Reliable system Reduces maintenance labor and cost
- Modular design To meet variety of requirements and tanks' sizes
- Fast on-site service Thanks to our extensive local and global support
- Unique liners Proven durability and resistance to wide range of temperatures



# / Specifications

- **High Resistance to low-quality/saline water** – (EC=7)
- **High resistance to corrosion**– Corrugated hot dip galvanized steel
- **High Resistance to chlorine** – (Cl) content of up to 4 ppm (other resistances to chlorine, by special order)
- **Suitable for recycled water** – from greenhouses, water treatment systems, fire extinguishing systems, etc.
- **Resistance to UV** – from direct sunlight when tank is uncovered
- **Warranty** – 8 years, graduated
- **Liner Repair** – easy fix

## → Typical Applications

- ✓ Agriculture - greenhouse and open field
- ✓ Livestock farming
- ✓ Pisciculture (fish farming)
- ✓ Rainwater harvesting
- ✓ Landscape irrigation
- ✓ Sports/Golf irrigation

## → Components

### Tanks

- ✓ Corugated galvanized steel plates:
  - Short panels**
    - **Length:** 2.11m/6.92ft (compatible with stretch, floating cover and / or metal cover)
    - **Galvanization:** Magizinc - Equivalent to Z600 galvanized steel. (Bottom coating epoxy optional)
    - **Optional:** Epoxy powder-coated steel plates

### Liners

- ✓ E-610 - General purpose; Resistance to low temperature in storage down to -35°C (-31°F), Netafim™ I.B.;  
**Color:** Ice-blue
- ✓ [E-610 VLT, Resistance to low temperature in storage down to -55°C (-67°F), can be supplied by special order]  
E-305-A - Potable water FDA approved;  
**Color:** Grey

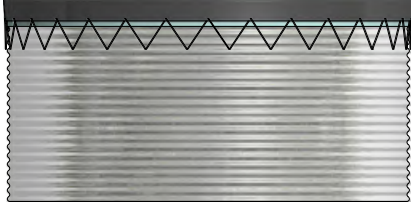
## → Specification

Test & Method	E-610		E-305-A	
	Metric Standard	US Standard	Metric Standard	US Standard
Fabric Type	PES 1100 DTX	PES 1000 DEN	PES 1100 DTX	PES 1000 DEN
Polymer	PVC			
Total Weight ASTM D 751	610gr/m <sup>2</sup>	18oz/yd <sup>2</sup>	740gr/m <sup>2</sup>	21.8oz/yd <sup>2</sup>
Breaking Strength (Strip) ASTM D 751 Procedure B	250/230kg / 5cm	285/275lbs/in	280/260kg/5cm	308/286lbs/in
Resistance to High Temp.	35°C	95°F	35°C	95°F
Resistance to Low Temp. in Water Storage	<-30°C	<-22°F	<-30°C	<-22°F
Tearing Strength	128kg	282lb	128kg	282lb

\*No water consumption during freeze conditions

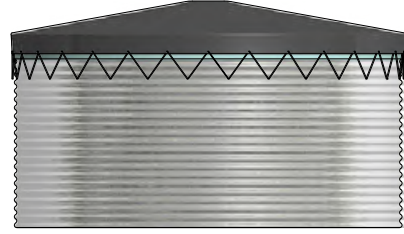
→ NetaTank™ Covers

Stretch Cover



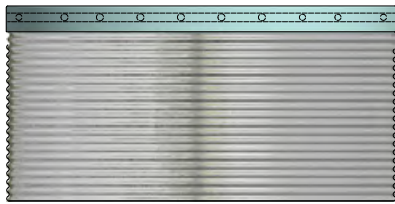
Diameter: ≤ 2.68 - 9.38m  
Panel Length: 2.11m/6.92ft

Stretch Cover with Central Post



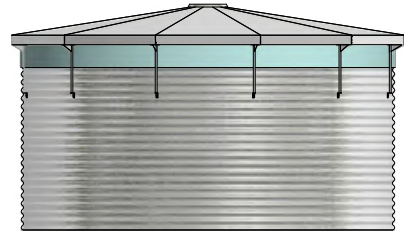
Diameter: ≤ 8.04 - 14.74m  
Panel length: 2.11m/6.92ft

Floating Cover



Diameter: >10.05m  
Panel length: 2.11m/6.92ft

Metal Cover



Diameter: ≤ 12.06m  
Panel Length: 3.17m/10.4ft

For tank diameter from 10.05m and above, a reinforcing ring must be used.



Reinforcement ring installation guide can be downloaded from Netafim's website

→ Water Outlet

Water outlet located at the bottom of the water tank.

mm	32-75	90-225	250-350	400-500
inch	1¼-2½	3-8	10-14	16-20

\* Other sizes of water outlet can be supplied by special order. can be supplied with as many water outlets as needed, by special order.

Engineering and Planning Tools

- ✓ A configurator for simple, easy, tailor-made configuration of the desired product is available. For more information contact Netafim™'s [product manager](#)
- ✓ Comprehensive installation manual for straightforward installation



→ **Water Tank Volumes** for Tension Covers (compatible with stretch or floating cover)

Metric Standard (m<sup>3</sup>)

Diam. (m)	Height (m)				
	1.55	2.31	3.07	3.83	4.59
2.68	9	13	17	22	26
3.35	14	20	27	34	41
4.02	20	29	39	49	58
4.69	27	40	53	66	79
5.36	35	52	69	87	104
6.03	44	66	88	109	131
6.70	55	81	108	135	162
7.37	66	98	131	164	196
8.04	79	117	156	195	233
8.71	92	138	183	228	274
9.38	107	160	212	265	318
10.05	123	183	244	304	364
10.72	140	208	277	346	415
11.39	158	235	313	390	468
12.06	177	264	351	438	525
12.73	197	294	391	488	580
13.40	218	325	433	540	648
14.07	240	359	477	596	714
14.74	264	394	524	654	784
15.41	288	430	573	715	857
16.08	314	469	623	778	933
16.75	341	509	677	844	1,012
17.42	369	550	732	913	
18.09	397	593	789	985	
18.76	427	638	849	1,059	
19.43	458	684	910	1,136	
20.10	491	732	974	1,216	
20.77	524	782	1,040		
21.44	558	833	1,108		
22.11	594	886	1,179		
22.78	630	941	1,251		
23.45	668	997	1,326		
24.12	706	1,054	1,403		
24.79	746	1,114	1,482		
25.46	787	1,175			
26.13	829	1,237			
26.80	872	1,302			
27.47	916	1,368			
28.14	962	1,435			
28.81	1,008	1,504			
29.48	1,055	1,575			
30.15	1,104	1,647			

US Standard (USG)

Diam. (ft.)	Height (ft.)				
	5.09	7.58	10.07	12.57	14.96
8.80	2,378	3,434	4,491	5,812	6,868
11.00	3,698	5,283	7,133	8,982	10,831
13.19	5,283	7,661	10,303	12,944	15,322
15.39	7,133	10,567	14,001	17,435	20,870
17.59	9,246	13,737	18,228	22,983	27,474
19.78	11,624	17,435	23,247	28,795	34,607
21.98	14,529	21,398	28,531	35,663	42,796
24.18	17,435	25,889	34,607	43,324	51,778
26.38	20,870	30,908	41,211	51,514	61,552
28.58	24,304	36,456	48,343	60,231	72,383
30.77	28,266	42,268	56,004	70,006	84,007
32.97	32,493	48,343	64,458	80,308	96,159
35.17	36,984	54,948	73,176	91,404	109,631
37.37	41,739	62,080	82,686	103,027	123,632
39.57	46,758	69,741	92,724	127,595	138,690
41.77	52,042	77,667	103,291	128,916	153,220
43.96	57,590	85,856	114,386	142,653	171,183
46.16	63,401	94,838	126,010	157,446	188,619
48.36	69,741	104,084	138,426	172,768	207,119
5.56	76,082	113,594	151,371	188,883	226,395
52.76	82,950	123,897	164,579	205,526	246,472
54.95	90,083	134,464	178,844	222,961	267,342
57.15	97,479	145,295	193,374	241,189	
59.35	104,876	156,654	208,432	260,209	
61.55	112,801	168,542	224,282	279,758	
63.75	120,991	180,694	240,397	300,099	
65.94	129,708	193,374	257,304	321,233	
68.14	138,426	206,582	274,739		
70.34	147,408	220,055	292,703		
72.54	156,918	234,056	311,459		
74.74	166,428	248,586	330,479		
76.94	176,467	263,379	350,292		
79.13	186,505	278,437	370,633		
81.33	197,072	294,288	391,503		
83.53	207,903	310,402			
85.73	218,999	326,781			
87.93	230,358	343,952			
90.12	241,982	361,387			
92.32	254,133	379,087			
94.52	266,285	397,315			
96.72	278,701	416,071			
98.92	291,646	435,091			

→ **Water Tank Volumes** for Metal Covers

Metric Standard (m<sup>3</sup>)

Diam. (m <sup>3</sup> )	Height (m)		
	3.07	3.83	4.59
2.68	17	21	26
3.35	27	33	40
4.02	39	48	58
4.69	53	66	79
5.36	69	86	104
6.03	87	109	131
6.70	108	135	162
7.37	131	164	197
8.04	156	195	234
8.71	183	229	275
9.38	212	266	319
10.05	244	305	366
10.72	277	347	416
11.39	313	392	468
12.06	351	439	527

US Standard (USG)

Diam. (ft.)	Height (ft.)		
	10.07	12.57	15.06
9	4,491	5,548	6,868
11	7,133	8,717	10,566
13	10,302	12,680	15,322
15	14,001	17,435	20,869
18	18,227	22,718	27,474
20	22,982	28,795	34,607
22	28,530	35,663	42,796
24	34,606	43,324	52,041
26	41,210	51,514	61,816
29	48,343	60,495	72,647
31	56,004	70,269	84,270
33	64,457	80,572	96,686
33	73,175	91,667	109,895
37	82,686	103,555	123,632
40	92,724	115,971	139,218

# / Installation Instructions

# / General Instructions

## Safety Instructions



The following instructions are suitable for water tanks supplied by Netafim™. only, in any case of mechanical damaged caused by other party, Netafim warranty will expire immediately



Netafim warranty is subject to the presence of a Netafim supervisor during the tank installation and his final approval based on Netafim requirements, unless a written authorization has been provided by Netafim™.

- It is prohibited to install the tank near an existing structure at a distance below 50m'
- The platform must be clean of any objects and debris as well as fully leveled and compacted
- It is prohibited to connect to the tank welding or bolts
- It is prohibited to store fertilizers and chemicals near the tank at a distance less than 10m'
- It is a must to confirm before the installation of the tank that all workers are authorized to work at heights according to the local law
- It is forbidden to fill the tank higher than 15cm below its top end
- The installation of the tank must be preformed with all protective gear such as helmet, gloves and eye protection

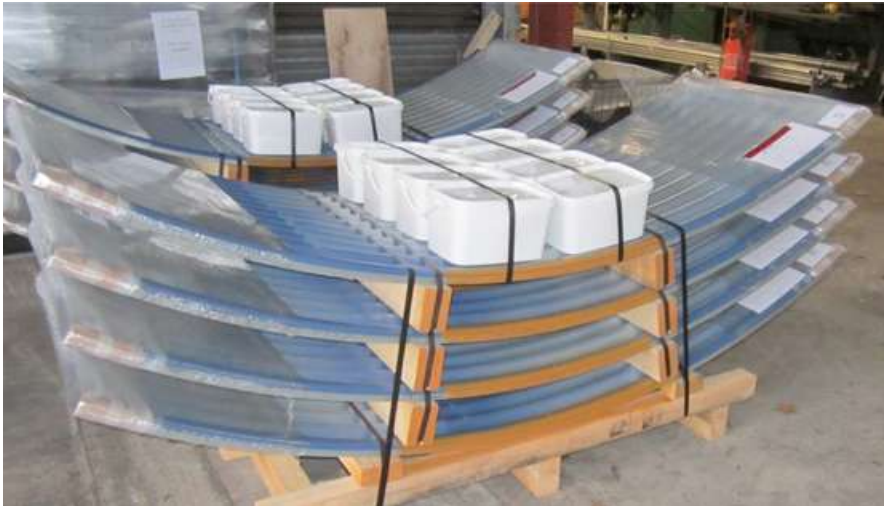


To start the installation of the water tanks it is compulsory to read and follow the safety instructions in this booklet as well as the local safety regulations in accordance to the country laws

### → Receiving and Storage Instructions

To avoid malfunction of products before their use you should follow a number of guidelines. Failure to follow these guidelines will void the product warranty and will lead to unplanned expenses to restore its functionality. In the case of malfunction identification before the use of any product, you should contact a Netafim™ representative for a quick and professional solution. The guidelines are:

1. All tank products are delivered in destined packaging and is intended to keep the product intact and fully operative.
2. Before starting the installation, make sure all tank parts are at hand in accordance to Netafim™ PL and that no part is missing to complete the installation. In case of a missing part, please contact a Netafim™ representative.
3. All products' packaging must be stored under the roof in a dry place and taken out only when needed. Failure to keep the products safe will lead to detrition and/or malfunction.
4. It is of high importance to store all metal parts in a dry and ventilated roofed area to prevent the accumulation of any rust that.



## → Main Installation Stages

1. Platform preparation, leveling and base casting according to Netafim instructions
2. Water infrastructure
3. Tank assembly
4. Spreading and fixing of protection textile
5. Spreading and fixing of tank liner
6. Spreading and fixing of tank cover



It is the sole responsibility of the client to perform a soil analysis and make sure the platform can withstand the tank loads in accordance to a local civil engineer

## → Platform Preparation (Stage 1)

Platform preparation includes a few tasks with a purpose to maintain the safety, durability and life span of the water tanks for years to come, failure to follow these task accordingly may lead to property damages and loss of life.

- ✓ The platform must be clean of plants and its roots
- ✓ The platform must be leveled and compacted sufficiently to withstand the tank loads
- ✓ In the case of soil fill, it should be compacted in levels of 20cm to a 95% compaction
- ✓ In case the platform is elevated from its surroundings its perimeter must be protected against erosion
- ✓ At the end of the preparation verify that the platform is clean of any sharp objects that may damage the tank liner
- ✓ The tank steel frame must be positioned on top of a concrete frame or a full concrete platform (see annexes)
- ✓ An even layer of sand of 10cm must be laid on the bottom of the steel frame before the installation of the protection textile

## → Water Infrastructure (Stage 2)

- ✓ A canal from the tank center to the irrigation head must be done in sizes according to the designed suction pipe diameter, for example 30cm x 30cm in case of a 225mm pipe diameter
- ✓ The positioning of the suction pipe must be performed before starting to install the steel frame, with a height of 50cm above the sand layer
- ✓ The positioning of the overflow and fill should be installed according to Netafim instructions before starting the installation of the steel frame
- ✓ A sand pile with a sufficient quantity should be positioned inside the tank steel frame boundaries



Pay attention! Do not connect any other piping or water system component at this point

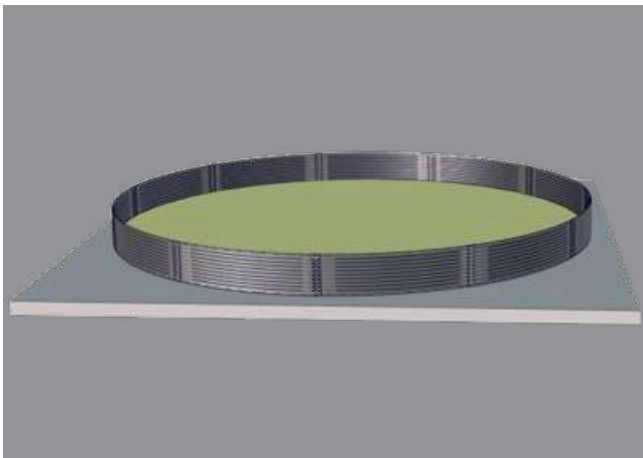
→ Tank Assembly (Stage 3)



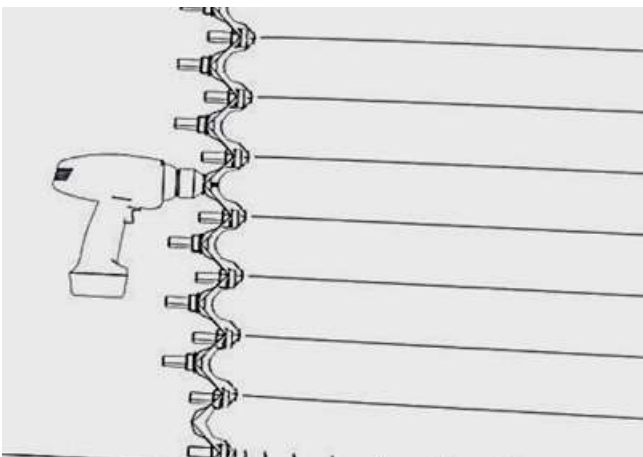
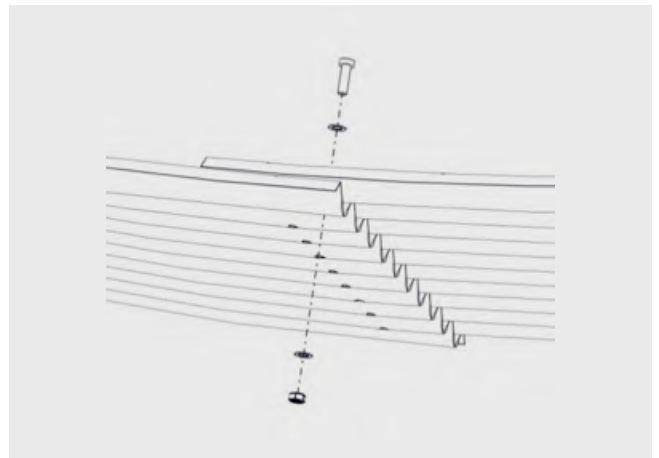
1 Spread the sand inside the steel tank boundaries uniformly to achieve a 10cm layer



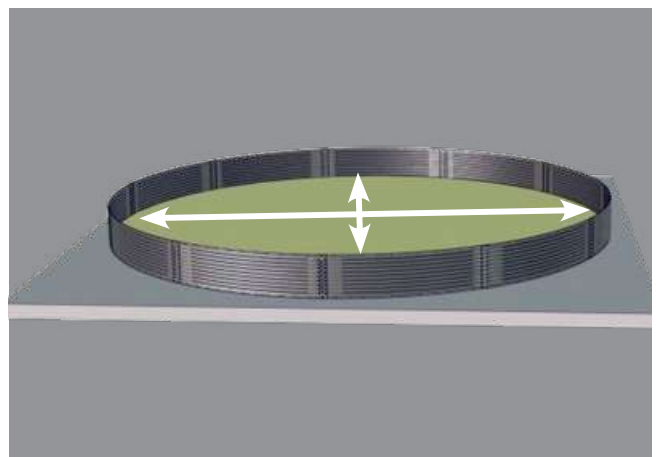
2 Position the protection textiles and tank liner inside the steel tank boundaries



3 Position and assemble the bottom ring of plates, tighten by hand only, leave the top line of holes free to accept the second ring of plates



4 Tighten all bolts with an impact drill



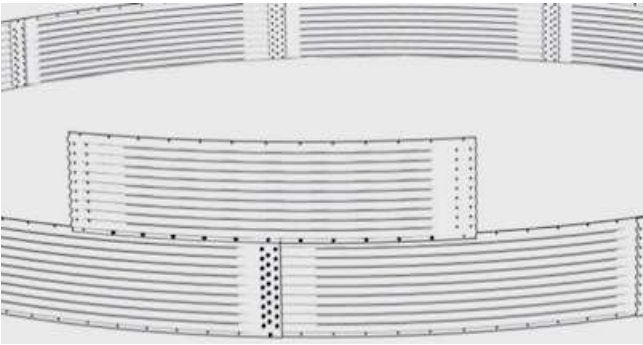
5 Make sure the steel ring is a circle and not an elliptic by measuring twice in a perpendicular manner



- Pay attention that the first ring of plates has three lines of holes and is made of thicker wall plates
- The bolts should be inserted from the inside out
- The steel plates should be installed in such a way that every new plate is positioned on the outside of the prior plate
- Use ear protection!



**6** Fix the bottom ring in the specified location every third plate with longer bolts, steel angles and the concrete anchors



**7** Locate and fix the second ring of plates on top of the first ring, the second ring should be positioned on the outside of the first

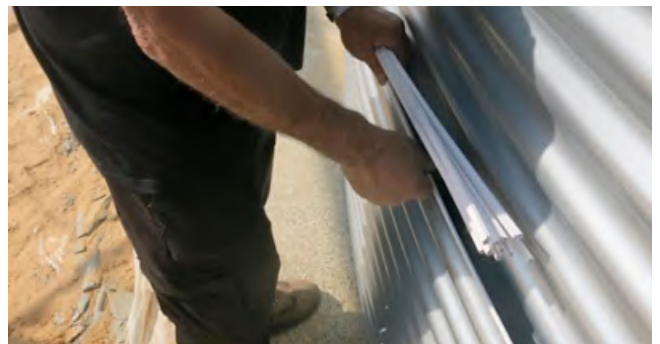
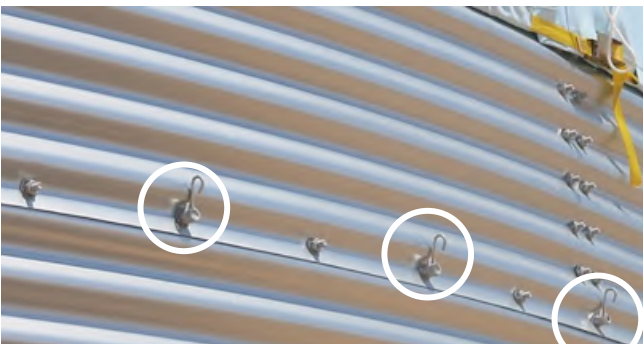
**8** The first plates should be centered above the connection line of bolts



At this point place two workers inside the steel frame



**9** Continue the positioning and fixing of all steel ring plates in the same manner described above, while maintaining the right position and overlaps between the steel plates



**10** Locate and fix the anchoring hooks on the top ring bottom line of bolts every second bolt

**11** After assembling all ring plates, it is essential to tighten all bolts and make sure none are loose

**12** Install the protective profile on top of the highest ring steel plates to prevent any damage to the protection textile and tank liner



→ Spreading and Fixing the Protection Textile (Stage 4)



- 13 Spread the wall protection textile along the tank circumference from the inside and leave a 10cm strip on the outside, temporarily fix the textile to the tank with the plastic clips
- 14 Make sure the bottom leftovers are tidy and flat to ensure easy installation of the tank liner later on
- 15 Permanently fix and tighten the textile to the tank with plastic tie bands every second hole while the head of the tie band facing outwards and downwards, cut leftover afterwards
- 16 Spread the bottom protection textile centered and evacuate the holes for the pipes, make sure there are no wrinkles to ensure easy installation of the tank liner later on



- The tank liner should be installed after the completion of the protection textiles
- Make sure there are no sharp edges on the inside of the tank, both walls and bottom
- Avoid installation of the liner during high gusts of wind to prevent damage to the tank and the liner
- Before working with the liner inside the tank all workers should take off their shoes
- Make sure not tools are left inside the tank before you spread the tank liner
- The connection point and sealing of the liner outlets must be cleaned thoroughly with a primer before installation
- The spreading should be done from the center outwards ensuring the outlets and pipes right positioning, in any case they don't match the pipes should be moved towards the outlets!

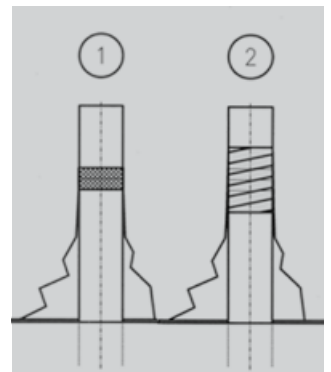
→ Spreading and Fixing the Liner (Stage 5)



- 17 Spread the liner from the center outwards the tank walls, start by placing the conical outlets on the pipes ensuring their right position and make sure the bottom has no wrinkles
- 18 Lift the liner to the tank top ring plates and temporarily fix with the plastic clips, make sure the walls are aligned with the bottom eliminating turning and twisting the liner
- 19 Make sure you leave a strip of around 15cm on the outside, equals to 3 waves in the plates



- 20 Place the conical outlets on top of the pipes and pull down making sure the bottom stays loose to absorb the water body pressure
- 21 Cut the pipes at a height of 25cm above the sand layer together with the liner
- 22 Pull down the liner and leave at least 10cm of free pipe
- 23 Connect the conical outlet to the pipe using the connection tape and then use the sealing tape above making sure you overlap the connection tape completely by 10 cm to each direction



Connection Tape

Sealing Tape



- 24 Install a sling ratchet in every opening in the liner; leave the plastic clips and don't tighten the ratchets at this point
- 25 Fill the tank with water to a level of at least 20cm to prevent any movement
- 26 Tighten the ratchets and pay attention they do not turn the liner causing twists between the perimeter and the outlets. Cur slings leftovers to 20cm and conceal



During the filling of the tank, a single worker should remain inside the tank to prevent any wrinkles and twists in the liner

### → Covers Installation (Stage 6)

#### Tension Cover

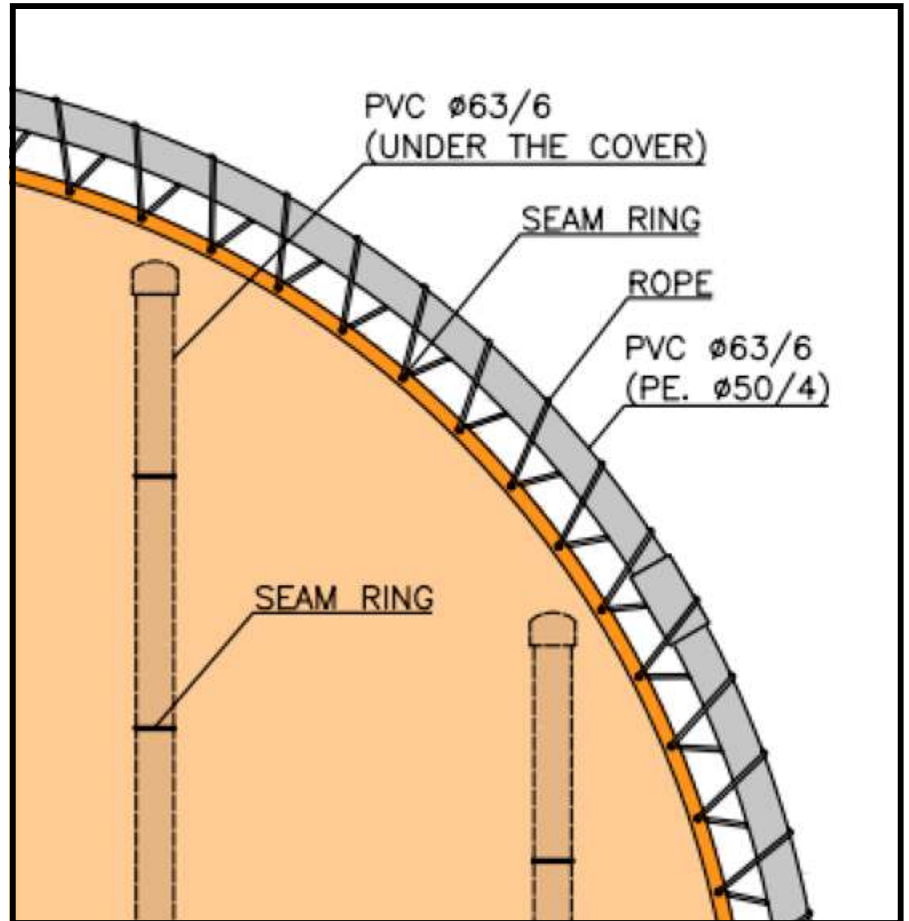
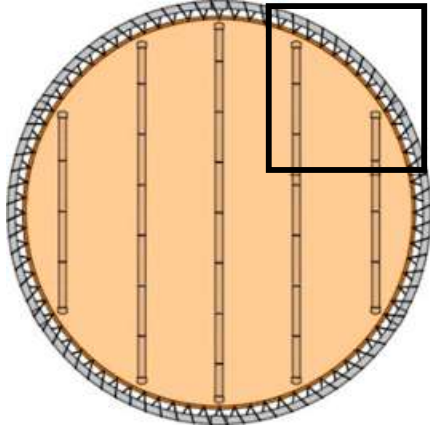
- 27 Run the black 8mm rope through the covers perimeter rings loosely
- 28 Spread the cover on top of the tank, adjust it to the right position covering the full area and temporarily fix it with the rubber slings
- 29 Run the 8mm black rope through the tank hooks and tighten evenly all around maintaining the same height
- 30 Position the center post (in case delivered)



- Before installing the cover ensure all hooks are installed on the perimeter, wholeness and size of the cover
- A central post will be delivered for tanks between 7.37m to 14.74m in diameter, above 14.74m a floating cover will be delivered

## Floating Cover

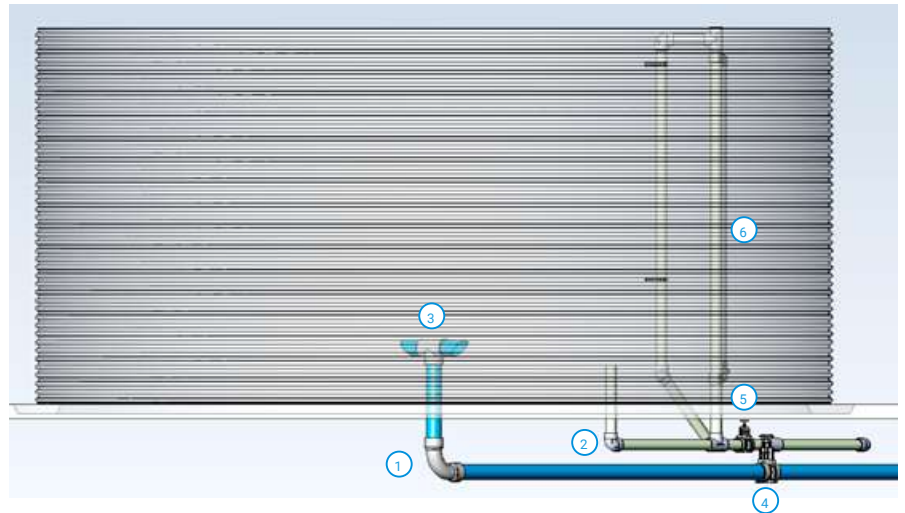
- 31 Pre-install the floating ring out of 63mm pipe outside according to the drawing below, calculate the length of the ring according to the following formula:  
$$C = 2 \times 3.14 \times (R - 10\text{cm})$$
- 32 Fix the cover cloth to the 63mm pipe ring with the black 8mm rope
- 33 Position the floating cover inside the tank on top of water only, do not position inside an empty tank



In the case of pipes running along the tank walls from the inside, make a bypass ring to ensure free movement of the floating cover

## → Piping Infrastructure

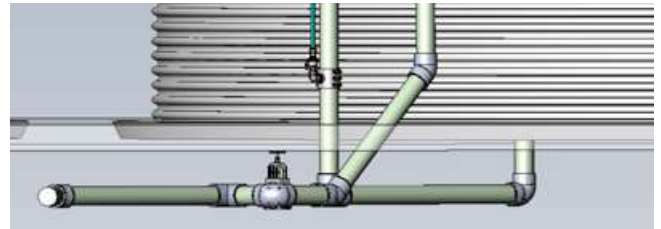
The piping infrastructure will be installed in two phases along the tank installation, the first phase of underground piping will be performed before the installation of the steel tank and its liner, the second phase of above ground piping will be performed after the tank completion.



### First Phase

**34** Position and fix the suction pipe from the tank center all the way outside the tank perimeter (1)

**35** Position and fix the overflow pipe from the tank center all the way outside the tank perimeter (2)



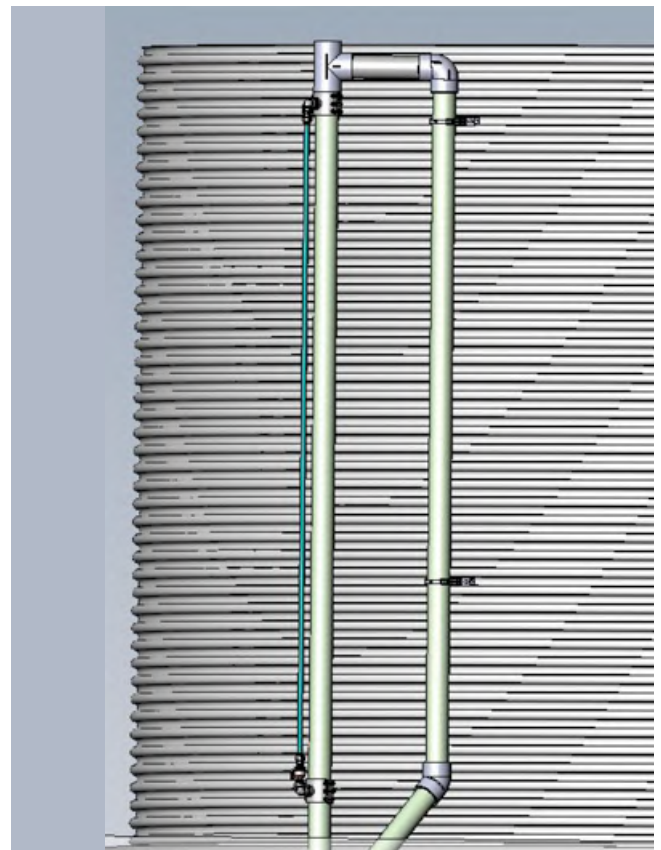
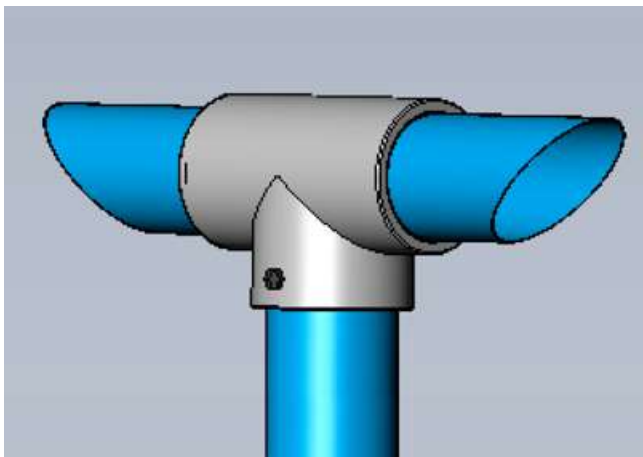
### Second Phase

**36** Position the T and extensions on top of the suction pipe (3)

**37** Position and fix the service valve on top of the suction pipe outside the tank (4)

**38** Position and fix the service valve on top of the overflow pipe outside the tank (5)

**39** Position and fix the overflow pipe above ground and make sure it is anchored to the tank properly (6)



- The T piece should be positioned and fixed with a self-drill screw, no glue should be applied.
- Make sure the top T piece is located 15cm below the top of the tank ring allowing proper overflow.

## → Liner Fixing

Netafim liners are made out of reinforced PVC making them easy to fix on site in any case of mechanical damage.

### Required Equipment

- ✓ Piece of liner with a size big enough to cover the tear area fully
- ✓ PVC primer
- ✓ PVC glue
- ✓ Roller

### Fixing Process

- ✓ Identify the failure point
- ✓ Prepare a fixing piece of liner with a size big enough to cover the tear area fully
- ✓ Clean the tank liner and the liner fixing piece with a PVC primer
- ✓ Apply PVC glue evenly on both tank liner and fixing piece
- ✓ Position the fixing piece on top of the tank liner and apply pressure with the roller
- ✓ Allow full bonding of 24 hours before filling



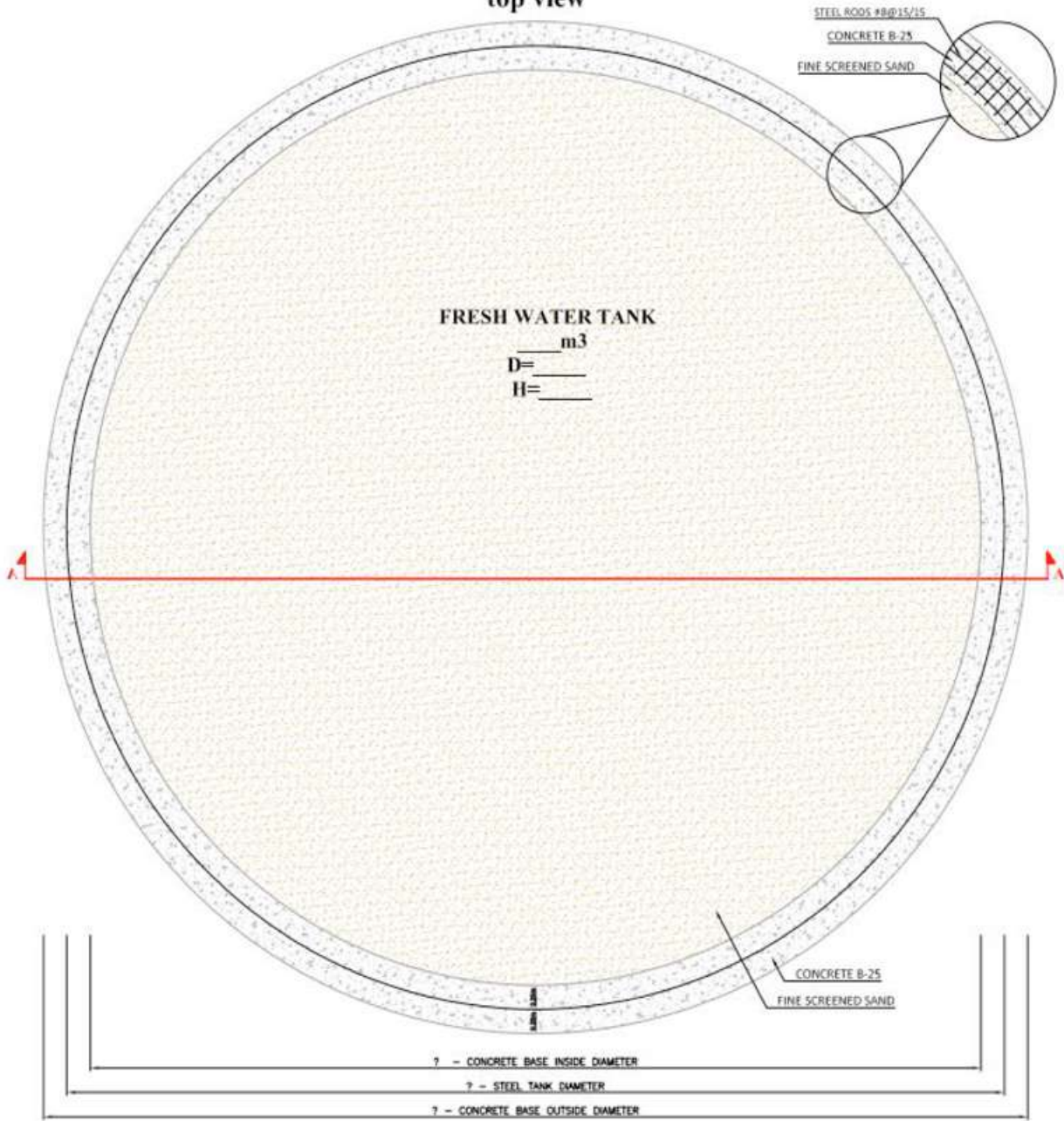
## → Maintenance Instructions

In order to maintain the tank operational condition, it is essential to follow the following guidelines and preventive actions.

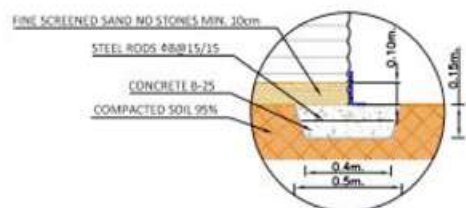
Failure Identification	Action	Prevention / Fixing	Frequency
Leakage from the tank liner / moisture between the steel tank and liner	Look for any signs of wetness on the tank and its environment	Fixing of tear in liner / release of moisture through the tank base	Once a month
Rust of steel plates bottom due to contact with sand / moisture and chemicals	Cleaning the tank perimeter	Clean any sand / soil around the steel plates and make sure no chemicals are close by	Once a month
Rust of steel plates bottom due to contact with moisture and chemicals	Cleaning rust on the steel plates outside	Clean of rusted area with a cloth and apply zink spray.	As needed. In case of severe rust the steel plate should be replaced
Rust on the inside due to moisture accumulation between the liner and steel plates	Cleaning rust on the steel plates inside	Emptying the tank, dismantling the liner and protection textile, cleaning and applying zink spray.	As needed. In case of severe rust the steel plate should be replaced
Water contamination with dirt and dust	Cleaning the cover net	Dismantling the tank cover and wash with cold water	Every year
Appearance of plants around the tank	Cleaning the tank area from plants and roots	Spray plants with herbicides and take out any roots	Every year

## STEEL TANK BASE

top view



side view

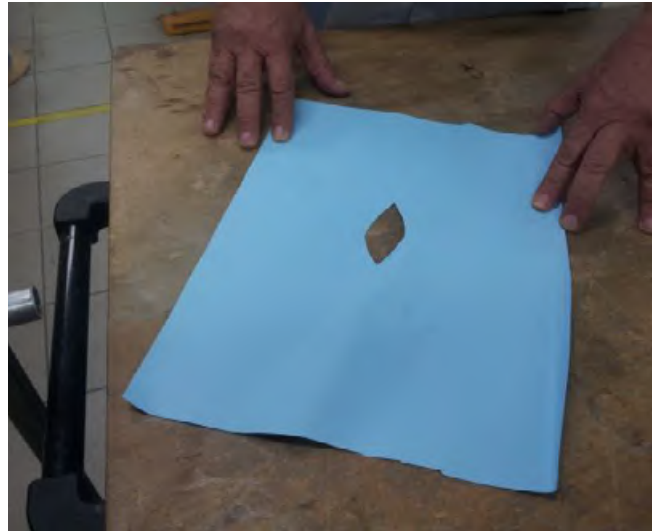




## → Liner Net I.B PVC Repair Instructions

### Required Materials

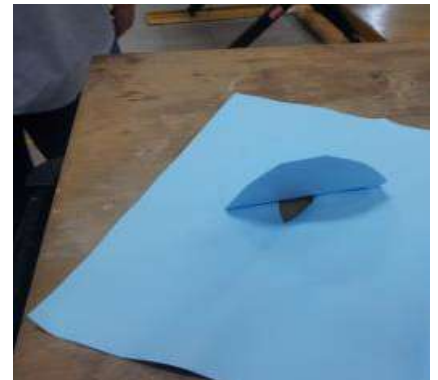
- ✓ PVC glue and primer
- ✓ Piece of PVC liner at least three times the size of the hole – the bigger the better. (the sack which the liner comes in is perfect for the job)
- ✓ Good scissors or knife
- ✓ Roller



### Preparation

- ✓ Make sure the liner is clean and dry
- ✓ Make sure the part that you wish to repair is flat and on hard surface

### Fixing



- 1 Cut piece big enough for covering the hole making a "patch"



- 2 Apply primer for both liner and the repair patch
- 3 Use a lot of primer two times and make sure you covered all the "patch" area



- 3 Spread glue on the liner and patch while the primer is still wet  
\* even layer, not to much and not to little. (images 3A, 3B)



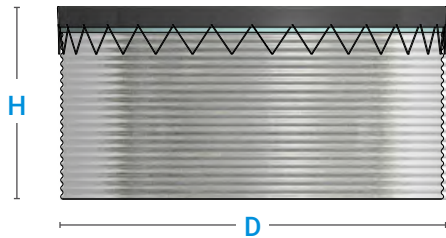
- 4 Cover the hole with the patch and roll with roller making sure all the air had gone
- 5 Leave to dry for at least 24 hours in dry conditions  
(48 hours for better results)



# / Catalog Numbers

# Tension Cover Water Tanks

The below catalog numbers include all the necessary components – metal tanks, liners, cover (as described) and all the required accessories for ideal installation.



Highest quality



Versatile



Robust

## → Tanks - Corugated Galvanized Steel Plates

- ✓ Short panels length: 2.11m/6.92ft
- ✓ Galvanization: Magizinc - Equivalent to Z600 galvanized steel. (Bottom coating epoxy optional)



- A central post is recommended for water tank sizes ranging from 7.37m to 9.38m
- A reinforcing ring is mandatory for water tank sizes ranging from 10.05m to 14.74m

## → Water Tanks with Tension Covers

Water Tanks Description	Catalog Numbers	Item Descriptions	Units/Tank
<b>NetaTank 9m<sup>3</sup></b> (D2.68 X H1.55)  Including tension cover	77700-011651	STEEL TANK EVP-SP 9M3 D=2.68 H=1.55	1
	77700-028310	WALL P.SHEET-NETAFIM D=2.68M	1
	77700-038640	LINER-NETAFIM (I.B) D=2.68 H=1.55	1
	77700-034990	TANK TENSIONED COVER-NETAFIM- D=2.68	1
	77700-040650	WELDED OUTLET 90-225 LINER-NET (I.B)	2*
	77700-002485	ASSEMBLY SET FOR ONE CONICAL OUTLET EVP	2
<b>NetaTank 13m<sup>3</sup></b> (D2.68 X H2.31)  Including tension cover	77700-015000	STEEL TANK EVP-SP 13M3 D=2.68 H=2.31	1
	77700-028310	WALL P.SHEET-NETAFIM D=2.68M	1
	77700-038650	LINER-NETAFIM (I.B) D=2.68 H=2.31	1
	77700-034990	TANK TENSIONED COVER-NETAFIM- D=2.68	1
	77700-040650	WELDED OUTLET 90-225 LINER-NET (I.B)	2*
	77700-002485	ASSEMBLY SET FOR ONE CONICAL OUTLET EVP	2
<b>NetaTank 17m<sup>3</sup></b> (D2.68 X H3.07)  Including tension cover	77700-015010	STEEL TANK EVP-SP 17M3 D=2.68 H=3.07	1
	77700-028310	WALL P.SHEET-NETAFIM D=2.68M	1
	77700-038700	LINER-NETAFIM (I.B) D=2.68 H=3.07	1
	77700-034990	TANK TENSIONED COVER-NETAFIM- D=2.68	1
	77700-040650	WELDED OUTLET 90-225 LINER-NET (I.B)	2*
	77700-002485	ASSEMBLY SET FOR ONE CONICAL OUTLET EVP	2
	77700-086110	BOTTOM PSHEET-NETAFIM D=2.68M	1

\* When ordering, please attach the liner ordering form as described in page 68

\*\* For any additional accessories such as tank filling inlets, outlets, over-flow, etc. demonstrated in page 72. please contact Netafim representative

→ Water Tanks with Tension Covers

Water Tanks Description	Catalog Numbers	Item Descriptions	Units/Tank
<b>NetaTank 22m<sup>3</sup></b> (D2.68 X H3.83)  Including tension cover	77700-015020	STEEL TANK EVP-SP 22m3 D=2.68 H=3.83	1
	77700-028310	WALL P.SHEET-NETAFIM D=2.68M	1
	77700-038710	LINER-NETAFIM (I.B) D=2.68 H=3.83	1
	77700-034990	TANK TENSIONED COVER-NETAFIM- D=2.68	1
	77700-040650	WELDED OUTLET 90-225 LINER-NET (I.B)	2*
	77700-002485	ASSEMBLY SET FOR ONE CONICAL OUTLET EVP	2
	77700-086110	BOTTOM P.SHEET-NETAFIM D=2.68M	1
<b>NetaTank 26m<sup>3</sup></b> (D2.68 X H4.59)  Including tension cover	77700-015065	STEEL TANK EVP-SP 26m3 D=2.68 H=4.59	1
	77700-028310	WALL P.SHEET-NETAFIM D=2.68M	1
	77700-038712	LINER-NETAFIM (I.B) D=2.68 H=4.59	1
	77700-034990	TANK TENSIONED COVER-NETAFIM- D=2.68	1
	77700-040650	WELDED OUTLET 90-225 LINER-NET (I.B)	2*
	77700-002485	ASSEMBLY SET FOR ONE CONICAL OUTLET EVP	2
	77700-086110	BOTTOM P.SHEET-NETAFIM D=2.68M	1
<b>NetaTank 14m<sup>3</sup></b> (D3.35 X H1.55)  Including tension cover	77700-011652	STEEL TANK EVP-SP 14m3 D=3.35 H=1.55	1
	77700-028320	WALL P.SHEET-NETAFIM D=3.35M	1
	77700-038715	LINER-NETAFIM (I.B) D=3.35 H=1.55	1
	77700-035100	TANK TENSIONED COVER-NETAFIM D=3.35M	1
	77700-040650	WELDED OUTLET 90-225 LINER-NET (I.B)	2*
	77700-002485	ASSEMBLY SET FOR ONE CONICAL OUTLET EVP	2
	77700-086220	BOTTOM P.SHEET-NETAFIM D=3.35M	1
<b>NetaTank 20m<sup>3</sup></b> (D3.35 X H2.31)  Including tension cover	77700-015060	STEEL TANK EVP-SP 20m3 D=3.35 H=2.31	1
	77700-028320	WALL P.SHEET-NETAFIM D=3.35M	1
	77700-038720	LINER-NETAFIM (I.B) D=3.35 H=2.31	1
	77700-035100	TANK TENSIONED COVER-NETAFIM D=3.35M	1
	77700-040650	WELDED OUTLET 90-225 LINER-NET (I.B)	2*
	77700-002485	ASSEMBLY SET FOR ONE CONICAL OUTLET EVP	2
	77700-086220	BOTTOM P.SHEET-NETAFIM D=3.35M	1
<b>NetaTank 27m<sup>3</sup></b> (D3.35 X H3.07)  Including tension cover	77700-015070	STEEL TANK EVP-SP 27m3 D=3.35 H=3.07	1
	77700-028320	WALL P.SHEET-NETAFIM D=3.35M	1
	77700-038730	LINER-NETAFIM (I.B) D=3.35 H=3.07	1
	77700-035100	TANK TENSIONED COVER-NETAFIM D=3.35M	1
	77700-040650	WELDED OUTLET 90-225 LINER-NET (I.B)	2*
	77700-002485	ASSEMBLY SET FOR ONE CONICAL OUTLET EVP	2
	77700-086220	BOTTOM P.SHEET-NETAFIM D=3.35M	1
<b>NetaTank 34m<sup>3</sup></b> (D3.35 X H3.83)  Including tension cover	77700-015080	STEEL TANK EVP-SP 34m3 D=3.35 H=3.83	1
	77700-028320	WALL P.SHEET-NETAFIM D=3.35M	1
	77700-038740	LINER-NETAFIM (I.B) D=3.35 H=3.83	1
	77700-035100	TANK TENSIONED COVER-NETAFIM D=3.35M	1
	77700-040650	WELDED OUTLET 90-225 LINER-NET (I.B)	2*
	77700-002485	ASSEMBLY SET FOR ONE CONICAL OUTLET EVP	2
	77700-086220	BOTTOM P.SHEET-NETAFIM D=3.35M	1

\* When ordering, please attach the liner ordering form as described in page 68

\*\* For any additional accessories such as tank filling inlets, outlets, over-flow, etc. demonstrated in page 72. please contact Netafim representative

→ Water Tanks with Tension Covers

Water Tanks Description	Catalog Numbers	Item Descriptions	Units/Tank
<b>NetaTank 41m<sup>3</sup></b> (D3.35 X H4.59)  Including tension cover	77700-015181	STEEL TANK EVP-SP 41m3 D=3.35 H=4.59	1
	77700-028320	WALL P.SHEET-NETAFIM D=3.35M	1
	77700-042205	LINER-NETAFIM (I.B) D=3.35 H=4.59	1
	77700-035100	TANK TENSIONED COVER-NETAFIM D=3.35M	1
	77700-040650	WELDED OUTLET 90-225 LINER-NET (I.B)	2*
	77700-002485	ASSEMBLY SET FOR ONE CONICAL OUTLET EVP	2
	77700-086220	BOTTOM P.SHEET-NETAFIM D=3.35M	1
<b>NetaTank 20m<sup>3</sup></b> (D4.02 X H1.55)  Including tension cover	77700-011653	STEEL TANK EVP-SP 20m3 D=4.02 H=1.55	1
	77700-028325	WALL P.SHEET-NETAFIM D=4.02M	1
	77700-038800	LINER-NETAFIM (I.B) D=4.02 H=1.55	1
	77700-035110	TANK TENSIONED COVER-NETAFIM D=4.02M	1
	77700-040650	WELDED OUTLET 90-225 LINER-NET (I.B)	2*
	77700-002485	ASSEMBLY SET FOR ONE CONICAL OUTLET EVP	2
	77700-086230	BOTTOM P.SHEET-NETAFIM D=4.02M	1
<b>NetaTank 29m<sup>3</sup></b> (D4.02 X H2.31)  Including tension cover	77700-015120	STEEL TANK EVP-SP 29m3 D=4.02 H=2.31	1
	77700-028325	WALL P.SHEET-NETAFIM D=4.02M	1
	77700-038810	LINER-NETAFIM (I.B) D=4.02 H=2.31	1
	77700-035110	TANK TENSIONED COVER-NETAFIM D=4.02M	1
	77700-040650	WELDED OUTLET 90-225 LINER-NET (I.B)	2*
	77700-002485	ASSEMBLY SET FOR ONE CONICAL OUTLET EVP	2
	77700-086230	BOTTOM P.SHEET-NETAFIM D=4.02M	1
<b>NetaTank 39m<sup>3</sup></b> (D4.02 X H3.07)  Including tension cover	77700-015130	STEEL TANK EVP-SP 39m3 D=4.02 H=3.07	1
	77700-028325	WALL P.SHEET-NETAFIM D=4.02M	1
	77700-038820	LINER-NETAFIM (I.B) D=4.02 H=3.07	1
	77700-035110	TANK TENSIONED COVER-NETAFIM D=4.02M	1
	77700-040650	WELDED OUTLET 90-225 LINER-NET (I.B)	2*
	77700-002485	ASSEMBLY SET FOR ONE CONICAL OUTLET EVP	2
	77700-086230	BOTTOM P.SHEET-NETAFIM D=4.02M	1
<b>NetaTank 49m<sup>3</sup></b> (D4.02 X H3.83)  Including tension cover	77700-015140	STEEL TANK EVP-SP 49m3 D=4.02 H=3.83	1
	77700-028325	WALL P.SHEET-NETAFIM D=4.02M	1
	77700-038830	LINER-NETAFIM (I.B) D=4.02 H=3.83	1
	77700-035110	TANK TENSIONED COVER-NETAFIM D=4.02M	1
	77700-040650	WELDED OUTLET 90-225 LINER-NET (I.B)	2*
	77700-002485	ASSEMBLY SET FOR ONE CONICAL OUTLET EVP	2
	77700-086230	BOTTOM P.SHEET-NETAFIM D=4.02M	1
<b>NetaTank 58m<sup>3</sup></b> (D4.02 X H4.59)  Including tension cover	77700-015241	STEEL TANK EVP-SP 58m3 D=4.02 H=4.59	1
	77700-028325	WALL P.SHEET-NETAFIM D=4.02M	1
	77700-038831	LINER-NETAFIM (I.B) D=4.02 H=4.59	1
	77700-035110	TANK TENSIONED COVER-NETAFIM D=4.02M	1
	77700-040650	WELDED OUTLET 90-225 LINER-NET (I.B)	2*
	77700-002485	ASSEMBLY SET FOR ONE CONICAL OUTLET EVP	2
	77700-086230	BOTTOM P.SHEET-NETAFIM D=4.02M	1
<b>NetaTank 27m<sup>3</sup></b> (D4.69 X H1.55)  Including tension cover	77700-011654	STEEL TANK EVP-SP 27m3 D=4.02 H=1.55	1
	77700-028330	WALL P.SHEET-NETAFIM D=4.69M	1
	77700-040000	LINER-NETAFIM (I.B) D=4.69 H=1.55	1
	77700-035210	TANK TENSIONED COVER-NETAFIM D=4.69M	1
	77700-040650	WELDED OUTLET 90-225 LINER-NET (I.B)	2*
	77700-002485	ASSEMBLY SET FOR ONE CONICAL OUTLET EVP	2
	77700-086240	BOTTOM P.SHEET-NETAFIM D=4.69M	1

\* When ordering, please attach the liner ordering form as described in page 68

\*\* For any additional accessories such as tank filling inlets, outlets, over-flow, etc. demonstrated in page 72. please contact Netafim representative

→ Water Tanks with Tension Covers

Water Tanks Description	Catalog Numbers	Item Descriptions	Units/Tank
<b>NetaTank 40m<sup>3</sup></b> (D4.69 X H2.31)  Including tension cover	77700-015180	STEEL TANK EVP-SP 40m3 D=4.69 H=2.31	1
	77700-028330	WALL P.SHEET-NETAFIM D=4.69M	1
	77700-040040	LINER-NETAFIM (I.B) D=4.69 H=2.31	1
	77700-035210	TANK TENSIONED COVER-NETAFIM D=4.69M	1
	77700-040650	WELDED OUTLET 90-225 LINER-NET (I.B)	2*
	77700-002485	ASSEMBLY SET FOR ONE CONICAL OUTLET EVP	2
	77700-086240	BOTTOM P.SHEET-NETAFIM D=4.69M	1
<b>NetaTank 53m<sup>3</sup></b> (D4.69 X H3.07)  Including tension cover	77700-015190	STEEL TANK EVP-SP 53m3 D=4.69 H=3.07	1
	77700-028330	WALL P.SHEET-NETAFIM D=4.69M	1
	77700-040041	LINER-NETAFIM (I.B) D=4.69 H=3.07	1
	77700-035210	TANK TENSIONED COVER-NETAFIM D=4.69M	1
	77700-040650	WELDED OUTLET 90-225 LINER-NET (I.B)	2*
	77700-002485	ASSEMBLY SET FOR ONE CONICAL OUTLET EVP	2
	77700-086240	BOTTOM P.SHEET-NETAFIM D=4.69M	1
<b>NetaTank 66m<sup>3</sup></b> (D4.69 X H3.83)  Including tension cover	77700-015200	STEEL TANK EVP-SP 66m3 D=4.69 H=3.83	1
	77700-028330	WALL P.SHEET-NETAFIM D=4.69M	1
	77700-040042	LINER-NETAFIM (I.B) D=4.69 H=3.83	1
	77700-035210	TANK TENSIONED COVER-NETAFIM D=4.69M	1
	77700-040650	WELDED OUTLET 90-225 LINER-NET (I.B)	2*
	77700-002485	ASSEMBLY SET FOR ONE CONICAL OUTLET EVP	2
	77700-086240	BOTTOM P.SHEET-NETAFIM D=4.69M	1
<b>NetaTank 79m<sup>3</sup></b> (D4.69 X H4.59)  Including tension cover	77700-015296	STEEL TANK EVP-SP 79m3 D=4.69 H=4.59	1
	77700-028330	WALL P.SHEET-NETAFIM D=4.69M	1
	77700-042207	LINER-NETAFIM (I.B) D=4.69 H=4.59	1
	77700-035210	TANK TENSIONED COVER-NETAFIM D=4.69M	1
	77700-040650	WELDED OUTLET 90-225 LINER-NET (I.B)	2*
	77700-002485	ASSEMBLY SET FOR ONE CONICAL OUTLET EVP	2
	77700-086240	BOTTOM P.SHEET-NETAFIM D=4.69M	1
<b>NetaTank 35m<sup>3</sup></b> (D5.36 X H1.55)  Including tension cover	77700-011655	STEEL TANK EVP-SP 35m3 D=5.36 H=1.55	1
	77700-028340	WALL P.SHEET-NETAFIM D=5.36M	1
	77700-040130	LINER-NETAFIM (I.B) D=5.36 H=1.55	1
	77700-035220	TANK TENSIONED COVER-NETAFIM D=5.36M	1
	77700-040650	WELDED OUTLET 90-225 LINER-NET (I.B)	2*
	77700-002485	ASSEMBLY SET FOR ONE CONICAL OUTLET EVP	2
	77700-086250	BOTTOM P.SHEET-NETAFIM D=5.36M	1
<b>NetaTank 52m<sup>3</sup></b> (D5.36 X H2.31)  Including tension cover	77700-015240	STEEL TANK EVP-SP 52m3 D=5.36 H=2.31	1
	77700-028340	WALL P.SHEET-NETAFIM D=5.36M	1
	77700-040140	LINER-NETAFIM (I.B) D=5.36 H=2.31	1
	77700-035220	TANK TENSIONED COVER-NETAFIM D=5.36M	1
	77700-040650	WELDED OUTLET 90-225 LINER-NET (I.B)	2*
	77700-002485	ASSEMBLY SET FOR ONE CONICAL OUTLET EVP	2
	77700-086250	BOTTOM P.SHEET-NETAFIM D=5.36M	1
<b>NetaTank 69m<sup>3</sup></b> (D5.36 X H3.07)  Including tension cover	77700-015250	STEEL TANK EVP-SP 69m3 D=5.36 H=3.07	1
	77700-028340	WALL P.SHEET-NETAFIM D=5.36M	1
	77700-040154	LINER-NETAFIM (I.B) D=5.36 H=3.07	1
	77700-035220	TANK TENSIONED COVER-NETAFIM D=5.36M	1
	77700-040650	WELDED OUTLET 90-225 LINER-NET (I.B)	2*
	77700-002485	ASSEMBLY SET FOR ONE CONICAL OUTLET EVP	2
	77700-086250	BOTTOM P.SHEET-NETAFIM D=5.36M	1

\* When ordering, please attach the liner ordering form as described in page 68

\*\* For any additional accessories such as tank filling inlets, outlets, over-flow, etc. demonstrated in page 72. please contact Netafim representative

→ Water Tanks with Tension Covers

Water Tanks Description	Catalog Numbers	Item Descriptions	Units/Tank
<b>NetaTank 87m<sup>3</sup></b> (D5.36 X H3.83)  Including tension cover	77700-015260	STEEL TANK EVP-SP 87m3 D=5.36 H=3.83	1
	77700-028340	WALL PSHEET-NETAFIM D=5.36M	1
	77700-040155	LINER-NETAFIM (I.B) D=5.36 H=3.83	1
	77700-035220	TANK TENSIONED COVER-NETAFIM D=5.36M	1
	77700-040650	WELDED OUTLET 90-225 LINER-NET (I.B)	2*
	77700-002485	ASSEMBLY SET FOR ONE CONICAL OUTLET EVP	2
<b>NetaTank 104m<sup>3</sup></b> (D5.36 X H4.59)  Including tension cover	77700-015305	STEEL TANK EVP-SP 104m3 D=5.36 H=4.59	1
	77700-028340	WALL PSHEET-NETAFIM D=5.36M	1
	77700-040156	LINER-NETAFIM (I.B) D=5.36 H=4.59	1
	77700-035220	TANK TENSIONED COVER-NETAFIM D=5.36M	1
	77700-040650	WELDED OUTLET 90-225 LINER-NET (I.B)	2*
	77700-002485	ASSEMBLY SET FOR ONE CONICAL OUTLET EVP	2
<b>NetaTank 44m<sup>3</sup></b> (D6.03 X H1.55)  Including tension cover	77700-011656	STEEL TANK EVP-SP 44m3 D=6.03 H=1.55	1
	77700-028345	WALL PSHEET-NETAFIM D=6.03M	1
	77700-040169	LINER-NETAFIM (I.B) D=6.03 H=1.55	1
	77700-035310	TANK TENSIONED COVER-NETAFIM D=6.03M	1
	77700-040650	WELDED OUTLET 90-225 LINER-NET (I.B)	2*
	77700-002485	ASSEMBLY SET FOR ONE CONICAL OUTLET EVP	2
<b>NetaTank 66m<sup>3</sup></b> (D6.03 X H2.31)  Including tension cover	77700-015290	STEEL TANK EVP-SP 66m3 D=6.03 H=2.31	1
	77700-028345	WALL PSHEET-NETAFIM D=6.03M	1
	77700-040165	LINER-NETAFIM (I.B) D=6.03 H=2.31	1
	77700-035310	TANK TENSIONED COVER-NETAFIM D=6.03M	1
	77700-040650	WELDED OUTLET 90-225 LINER-NET (I.B)	2*
	77700-002485	ASSEMBLY SET FOR ONE CONICAL OUTLET EVP	2
<b>NetaTank 88m<sup>3</sup></b> (D6.03 X H3.07)  Including tension cover	77700-015300	STEEL TANK EVP-SP 88m3 D=6.03 H=3.07	1
	77700-028345	WALL PSHEET-NETAFIM D=6.03M	1
	77700-040166	LINER-NETAFIM (I.B) D=6.03 H=3.07	1
	77700-035310	TANK TENSIONED COVER-NETAFIM D=6.03M	1
	77700-040650	WELDED OUTLET 90-225 LINER-NET (I.B)	2*
	77700-002485	ASSEMBLY SET FOR ONE CONICAL OUTLET EVP	2
<b>NetaTank 109m<sup>3</sup></b> (D6.03 X H3.83)  Including tension cover	77700-015310	STEEL TANK EVP-SP 109m3 D=6.03 H=3.83	1
	77700-028345	WALL PSHEET-NETAFIM D=6.03M	1
	77700-040167	LINER-NETAFIM (I.B) D=6.03 H=3.83	1
	77700-035310	TANK TENSIONED COVER-NETAFIM D=6.03M	1
	77700-040650	WELDED OUTLET 90-225 LINER-NET (I.B)	2*
	77700-002485	ASSEMBLY SET FOR ONE CONICAL OUTLET EVP	2
<b>NetaTank 131m<sup>3</sup></b> (D6.03 X H4.59)  Including tension cover	77700-015320	STEEL TANK EVP-SP 131m3 D=6.03 H=4.59	1
	77700-028345	WALL PSHEET-NETAFIM D=6.03M	1
	77700-040168	LINER-NETAFIM (I.B) D=6.03 H=4.59	1
	77700-035310	TANK TENSIONED COVER-NETAFIM D=6.03M	1
	77700-040650	WELDED OUTLET 90-225 LINER-NET (I.B)	2*
	77700-002485	ASSEMBLY SET FOR ONE CONICAL OUTLET EVP	2
77700-086260	BOTTOM PSHEET-NETAFIM D=6.03M	1	

\* When ordering, please attach the liner ordering form as described in page 68

\*\* For any additional accessories such as tank filling inlets, outlets, over-flow, etc. demonstrated in page 72. please contact Netafim representative



→ Water Tanks with Tension Covers

Water Tanks Description	Catalog Numbers	Item Descriptions	Units/Tank
<b>NetaTank 55m<sup>3</sup></b> (D6.70 X H1.55)  Including tension cover	77700-015345	STEEL TANK EVP-SP 55m3 D=6.7 H=1.55	1
	77700-028346	WALL P.SHEET-NETAFIM D=6.7M	1
	77700-040189	LINER-NETAFIM (I.B) D=6.7 H=1.55	1
	77700-035410	TANK TENSIONED COVER-NETAFIM D=6.7M	1
	77700-040650	WELDED OUTLET 90-225 LINER-NET (I.B)	2*
	77700-002485	ASSEMBLY SET FOR ONE CONICAL OUTLET EVP	2
	77700-086265	BOTTOM P.SHEET-NETAFIM D=6.70M	1
<b>NetaTank 81m<sup>3</sup></b> (D6.70 X H2.31)  Including tension cover	77700-015350	STEEL TANK EVP-SP 81m3 D=6.7 H=2.31	1
	77700-028346	WALL P.SHEET-NETAFIM D=6.7M	1
	77700-040190	LINER-NETAFIM (I.B) D=6.7 H=2.31	1
	77700-035410	TANK TENSIONED COVER-NETAFIM D=6.7M	1
	77700-040650	WELDED OUTLET 90-225 LINER-NET (I.B)	2*
	77700-002485	ASSEMBLY SET FOR ONE CONICAL OUTLET EVP	2
	77700-086265	BOTTOM P.SHEET-NETAFIM D=6.70M	1
<b>NetaTank 108m<sup>3</sup></b> (D6.70 X H3.07)  Including tension cover	77700-015360	STEEL TANK EVP-SP 108m3 D=6.7 H=3.07	1
	77700-028346	WALL P.SHEET-NETAFIM D=6.7M	1
	77700-040191	LINER-NETAFIM (I.B) D=6.7 H=3.07	1
	77700-035410	TANK TENSIONED COVER-NETAFIM D=6.7M	1
	77700-040650	WELDED OUTLET 90-225 LINER-NET (I.B)	2*
	77700-002485	ASSEMBLY SET FOR ONE CONICAL OUTLET EVP	2
	77700-086265	BOTTOM P.SHEET-NETAFIM D=6.70M	1
<b>NetaTank 135m<sup>3</sup></b> (D6.70 X H3.83)  Including tension cover	77700-015370	STEEL TANK EVP-SP 135m3 D=6.7 H=3.83	1
	77700-028346	WALL P.SHEET-NETAFIM D=6.7M	1
	77700-040192	LINER-NETAFIM (I.B) D=6.7 H=3.83	1
	77700-035410	TANK TENSIONED COVER-NETAFIM D=6.7M	1
	77700-040650	WELDED OUTLET 90-225 LINER-NET (I.B)	2*
	77700-002485	ASSEMBLY SET FOR ONE CONICAL OUTLET EVP	2
	77700-086265	BOTTOM P.SHEET-NETAFIM D=6.70M	1
<b>NetaTank 162m<sup>3</sup></b> (D6.70 X H4.59)  Including tension cover	77700-015425	STEEL TANK EVP-SP 162m3 D=6.7 H=4.59	1
	77700-028346	WALL P.SHEET-NETAFIM D=6.7M	1
	77700-040195	LINER-NETAFIM (I.B) D=6.7 H=4.59	1
	77700-035410	TANK TENSIONED COVER-NETAFIM D=6.7M	1
	77700-040650	WELDED OUTLET 90-225 LINER-NET (I.B)	2*
	77700-002485	ASSEMBLY SET FOR ONE CONICAL OUTLET EVP	2
	77700-086265	BOTTOM P.SHEET-NETAFIM D=6.70M	1
<b>NetaTank 66m<sup>3</sup></b> (D7.37 X H1.55)  Including tension cover	77700-015295	STEEL TANK EVP-SP 66m3 D=7.37 H=1.55	1
	77700-028360	WALL P.SHEET-NETAFIM D=7.37M	1
	77700-040198	LINER-NETAFIM (I.B) D=7.37 H=1.55	1
	77700-035500	TANK TENSIONED COVER-NETAFIM D=7.37M	1
	77700-040650	WELDED OUTLET 90-225 LINER-NET (I.B)	2*
	77700-002485	ASSEMBLY SET FOR ONE CONICAL OUTLET EVP	2
	77700-086267	BOTTOM P.SHEET-NETAFIM D=7.37M	1
<b>NetaTank 98m<sup>3</sup></b> (D7.37 X H2.31)  Including tension cover	77700-015410	STEEL TANK EVP-SP 98m3 D=7.37 H=2.31	1
	77700-028360	WALL P.SHEET-NETAFIM D=7.37M	1
	77700-040200	LINER-NETAFIM (I.B) D=7.37 H=2.31	1
	77700-035500	TANK TENSIONED COVER-NETAFIM D=7.37M	1
	77700-040650	WELDED OUTLET 90-225 LINER-NET (I.B)	2*
	77700-002485	ASSEMBLY SET FOR ONE CONICAL OUTLET EVP	2
	77700-086267	BOTTOM P.SHEET-NETAFIM D=7.37M	1

\* When ordering, please attach the liner ordering form as described in page 68

\*\* For any additional accessories such as tank filling inlets, outlets, over-flow, etc. demonstrated in page 72. please contact Netafim representative

→ Water Tanks with Tension Covers

Water Tanks Description	Catalog Numbers	Item Descriptions	Units/Tank
<b>NetaTank 131m<sup>3</sup></b> (D7.37 X H3.07)  Including tension cover	77700-015420	STEEL TANK EVP-SP 131m3 D=7.37 H=3.07	1
	77700-028360	WALL PSHEET-NETAFIM D=7.37M	1
	77700-040204	LINER-NETAFIM (I.B) D=7.37 H=3.07	1
	77700-035500	TANK TENSIONED COVER-NETAFIM D=7.37M	1
	77700-040650	WELDED OUTLET 90-225 LINER-NET (I.B)	2*
	77700-002485	ASSEMBLY SET FOR ONE CONICAL OUTLET EVP	2
<b>NetaTank 164m<sup>3</sup></b> (D7.37 X H3.83)  Including tension cover	77700-015430	STEEL TANK EVP-SP 164m3 D=7.37 H=3.83	1
	77700-028360	WALL PSHEET-NETAFIM D=7.37M	1
	77700-040205	LINER-NETAFIM (I.B) D=7.37 H=3.83	1
	77700-035500	TANK TENSIONED COVER-NETAFIM D=7.37M	1
	77700-040650	WELDED OUTLET 90-225 LINER-NET (I.B)	2*
	77700-002485	ASSEMBLY SET FOR ONE CONICAL OUTLET EVP	2
<b>NetaTank 196m<sup>3</sup></b> (D7.37 X H4.59)  Including tension cover	77700-015545	STEEL TANK EVP-SP 196m3 D=7.37 H=4.59	1
	77700-028360	WALL PSHEET-NETAFIM D=7.37M	1
	77700-040203	LINER-NETAFIM (I.B) D=7.37 H=4.59	1
	77700-035500	TANK TENSIONED COVER-NETAFIM D=7.37M	1
	77700-040650	WELDED OUTLET 90-225 LINER-NET (I.B)	2*
	77700-002485	ASSEMBLY SET FOR ONE CONICAL OUTLET EVP	2
<b>NetaTank 117m<sup>3</sup></b> (D8.04 X H2.31)  Including tension cover	77700-015470	STEEL TANK EVP-SP 117m3 D=8.04 H=2.31	1
	77700-028365	WALL PSHEET-NETAFIM D=8.04M	1
	77700-040206	LINER-NETAFIM (I.B) D=8.04 H=2.31	1
	77700-035510	TANK TENSIONED COVER-NETAFIM D=8.04M	1
	77700-040650	WELDED OUTLET 90-225 LINER-NET (I.B)	2*
	77700-002485	ASSEMBLY SET FOR ONE CONICAL OUTLET EVP	2
<b>NetaTank 156m<sup>3</sup></b> (D8.04 X H3.07)  Including tension cover	77700-015480	STEEL TANK EVP-SP 156m3 D=8.04 H=3.07	1
	77700-028365	WALL PSHEET-NETAFIM D=8.04M	1
	77700-040207	LINER-NETAFIM (I.B) D=8.04 H=3.07	1
	77700-035510	TANK TENSIONED COVER-NETAFIM D=8.04M	1
	77700-040650	WELDED OUTLET 90-225 LINER-NET (I.B)	2*
	77700-002485	ASSEMBLY SET FOR ONE CONICAL OUTLET EVP	2
<b>NetaTank 195m<sup>3</sup></b> (D8.04 X H3.83)  Including tension cover	77700-015490	STEEL TANK EVP-SP 195m3 D=8.04 H=3.83	1
	77700-028365	WALL PSHEET-NETAFIM D=8.04M	1
	77700-040208	LINER-NETAFIM (I.B) D=8.04 H=3.83	1
	77700-035510	TANK TENSIONED COVER-NETAFIM D=8.04M	1
	77700-040650	WELDED OUTLET 90-225 LINER-NET (I.B)	2*
	77700-002485	ASSEMBLY SET FOR ONE CONICAL OUTLET EVP	2
<b>NetaTank 233m<sup>3</sup></b> (D8.04 X H4.59)  Including tension cover	77700-015495	STEEL TANK EVP-SP 233m3 D=8.04 H=4.59	1
	77700-028365	WALL PSHEET-NETAFIM D=8.04M	1
	77700-042196	LINER-NETAFIM (I.B) D=8.04 H=4.59	1
	77700-035510	TANK TENSIONED COVER-NETAFIM D=8.04M	1
	77700-040650	WELDED OUTLET 90-225 LINER-NET (I.B)	2*
	77700-002485	ASSEMBLY SET FOR ONE CONICAL OUTLET EVP	2
77700-086270	BOTTOM PSHEET-NETAFIM D=8.04M	1	

\* When ordering, please attach the liner ordering form as described in page 68

\*\* For any additional accessories such as tank filling inlets, outlets, over-flow, etc. demonstrated in page 72. please contact Netafim representative

→ Water Tanks with Tension Covers

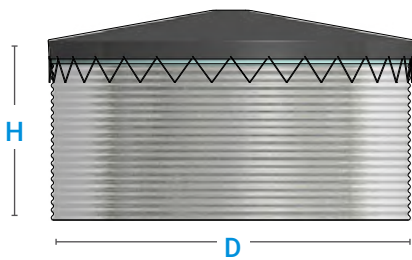
Water Tanks Description	Catalog Numbers	Item Descriptions	Units/Tank
<b>NetaTank 138m<sup>3</sup></b> (D8.71 X H2.31)  Including tension cover	77700-015530	STEEL TANK EVP-SP 138m3 D=8.71 H=2.31	1
	77700-028367	WALL P.SHEET-NETAFIM D=8.71M	1
	77700-040310	LINER-NETAFIM (I.B) D=8.71 H=2.31	1
	77700-035610	TANK TENSIONED COVER-NETAFIM- D=8.71	1
	77700-040650	WELDED OUTLET 90-225 LINER-NET (I.B)	2*
	77700-002485	ASSEMBLY SET FOR ONE CONICAL OUTLET EVP	2
	77700-086275	BOTTOM P.SHEET-NETAFIM D=8.71M	1
<b>NetaTank 183m<sup>3</sup></b> (D8.71 X H3.07)  Including tension cover	77700-015540	STEEL TANK EVP-SP 183m3 D=8.71 H=3.07	1
	77700-028367	WALL P.SHEET-NETAFIM D=8.71M	1
	77700-040311	LINER-NETAFIM (I.B) D=8.71 H=3.07	1
	77700-035610	TANK TENSIONED COVER-NETAFIM- D=8.71	1
	77700-040650	WELDED OUTLET 90-225 LINER-NET (I.B)	2*
	77700-002485	ASSEMBLY SET FOR ONE CONICAL OUTLET EVP	2
	77700-086275	BOTTOM P.SHEET-NETAFIM D=8.71M	1
<b>NetaTank 228m<sup>3</sup></b> (D8.71 X H3.83)  Including tension cover	77700-015550	STEEL TANK EVP-SP 228m3 D=8.71 H=3.83	1
	77700-028367	WALL P.SHEET-NETAFIM D=8.71M	1
	77700-040312	LINER-NETAFIM (I.B) D=8.71 H=3.83	1
	77700-035610	TANK TENSIONED COVER-NETAFIM- D=8.71	1
	77700-040650	WELDED OUTLET 90-225 LINER-NET (I.B)	2*
	77700-002485	ASSEMBLY SET FOR ONE CONICAL OUTLET EVP	2
	77700-086275	BOTTOM P.SHEET-NETAFIM D=8.71M	1

\* When ordering, please attach the liner ordering form as described in page 68

\*\* For any additional accessories such as tank filling inlets, outlets, over-flow, etc. demonstrated in page 72. please contact Netafim representative

# Tension Cover W/ Central Post Water Tanks

The below catalog numbers include all the necessary components – metal tanks, liners, cover (as described) and all the required accessories for ideal installation.



Super resistant



Durable



Simple to Install

## → Tanks - Corrugated Galvanized Steel Plates

- ✓ Short panels length: 2.11m/6.92ft
- ✓ Galvanization: Magizinc - Equivalent to Z600 galvanized steel. (Bottom coating epoxy optional)



- A central post is recommended for water tank sizes ranging from 7.37m to 9.38m
- A reinforcing ring is mandatory for water tank sizes ranging from 10.05m to 14.74m

## → Water Tanks with Tension Covers with Central Post

Water Tanks Description	Catalog Numbers	Item Descriptions	Units/Tank	
<b>NetaTank 160m<sup>3</sup></b> (D9.38 X H2.31)  Including tension cover with central post	77700-028380	WALL P.SHEET-NETAFIM D=9.38M	1	
	77700-040210	LINER-NETAFIM (I.B) D=9.38 H=2.31	1	
	77700-035710	TANK TENSIONED COVER-NETAFIM D=9.38M	1	
	77700-040650	WELDED OUTLET 90-225 LINER-NET (I.B)	2*	
	77700-002485	ASSEMBLY SET FOR ONE CONICAL OUTLET EVP	2	
	77700-086280	BOTTOM P.SHEET-NETAFIM D=9.38M	1	
	<b>Accessories for Central Post</b>			
	77700-800600	TOP PLATE F/COVER SUPPORT 2"FTH EVP	1	
	77700-800650	BOTTOM PLATE F/COVER SUPPORT 2"FTH EVP	1	
	78200-006600	GALVA. SOCKET 2	3	
	78000-008400	NIPPLE 2"*80 CM GALVAN.	3	
78000-008200	NIPPLE 2"*60 CM GALVAN.	1		
78760-022900	PLASTIC ROPE 4MM BLACK-700M	1		

\* When ordering, please attach the liner ordering form as described in page 68

\*\* For any additional accessories such as tank filling inlets, outlets, over-flow, etc. demonstrated in page 72. please contact Netafim representative

→ Water Tanks with Tension Covers with Central Post

Water Tanks Description	Catalog Numbers	Item Descriptions	Units/Tank	
<b>NetaTank 274m<sup>3</sup></b> (D8.71 X H4.59)  Including tension cover with central post	77700-015555	STEEL TANK EVP-SP 274m3 D=8.71 H=4.59	1	
	77700-028367	WALL P.SHEET-NETAFIM D=8.71M	1	
	77700-040211	LINER-NETAFIM (I.B) D=8.71 H=4.59	1	
	77700-035610	TANK TENSIONED COVER-NETAFIM- D=8.71	1	
	77700-040650	WELDED OUTLET 90-225 LINER-NET (I.B)	2*	
	77700-002485	ASSEMBLY SET FOR ONE CONICAL OUTLET EVP	2	
	77700-086275	BOTTOM P.SHEET-NETAFIM D=8.71M	1	
<b>NetaTank 212m<sup>3</sup></b> (D9.38 X H3.07)  Including tension cover with central post	77700-015600	STEEL TANK EVP-SP 212m3 D=9.38 H=3.07	1	
	77700-028380	WALL P.SHEET-NETAFIM D=9.38M	1	
	77700-040215	LINER-NETAFIM (I.B) D=9.38 H=3.07	1	
	77700-035710	TANK TENSIONED COVER-NETAFIM D=9.38M	1	
	77700-040650	WELDED OUTLET 90-225 LINER-NET (I.B)	2*	
	77700-002485	ASSEMBLY SET FOR ONE CONICAL OUTLET EVP	2	
	77700-086280	BOTTOM P.SHEET-NETAFIM D=9.38M	1	
	<b>Accessories for Central Post</b>			
	77700-800600	TOP PLATE F/COVER SUPPORT 2"FTH EVP	1	
	77700-800650	BOTTOM PLATE F/COVER SUPPORT 2"FTH EVP	1	
	78200-006600	GALVA. SOCKET 2	4	
	78000-008400	NIPPLE 2"*80 CM GALVAN.	4	
	78000-008200	NIPPLE 2"*60 CM GALVAN.	1	
78760-022900	PLASTIC ROPE 4MM BLACK-700M	1		
<b>NetaTank 265m<sup>3</sup></b> (D9.38 X H3.83)  Including tension cover with central post	77700-015610	STEEL TANK EVP-SP 265m3 D=9.38 H=3.83	1	
	77700-028380	WALL P.SHEET-NETAFIM D=9.38M	1	
	77700-040240	LINER-NETAFIM (I.B) D=9.38 H=3.83	1	
	77700-035710	TANK TENSIONED COVER-NETAFIM D=9.38M	1	
	77700-040650	WELDED OUTLET 90-225 LINER-NET (I.B)	2*	
	77700-002485	ASSEMBLY SET FOR ONE CONICAL OUTLET EVP	2	
	77700-086280	BOTTOM P.SHEET-NETAFIM D=9.38M	1	
	<b>Accessories for Central Post</b>			
	77700-800600	TOP PLATE F/COVER SUPPORT 2"FTH EVP	1	
	77700-800650	BOTTOM PLATE F/COVER SUPPORT 2"FTH EVP	1	
	78200-006600	GALVA. SOCKET 2	5	
	78000-008400	NIPPLE 2"*80 CM GALVAN.	5	
	78000-008200	NIPPLE 2"*60 CM GALVAN.	1	
78760-022900	PLASTIC ROPE 4MM BLACK-700M	1		
<b>NetaTank 318m<sup>3</sup></b> (D9.38 X H4.59)  Including tension cover with central post	77700-015620	STEEL TANK EVP-SP 318m3 D=9.38 H=4.59	1	
	77700-028380	WALL P.SHEET-NETAFIM D=9.38M	1	
	77700-040241	LINER-NETAFIM (I.B) D=9.38 H=4.59	1	
	77700-035710	TANK TENSIONED COVER-NETAFIM D=9.38M	1	
	77700-040650	WELDED OUTLET 90-225 LINER-NET (I.B)	2*	
	77700-002485	ASSEMBLY SET FOR ONE CONICAL OUTLET EVP	2	
	77700-086280	BOTTOM P.SHEET-NETAFIM D=9.38M	1	
	<b>Accessories for Central Post</b>			
	77700-800600	TOP PLATE F/COVER SUPPORT 2"FTH EVP	1	
	77700-800650	BOTTOM PLATE F/COVER SUPPORT 2"FTH EVP	1	
	78200-006600	GALVA. SOCKET 2	6	
	78000-008400	NIPPLE 2"*80 CM GALVAN.	5	
	78000-008200	NIPPLE 2"*60 CM GALVAN.	2	
78760-022900	PLASTIC ROPE 4MM BLACK-700M	2		

\* When ordering, please attach the liner ordering form as described in page 68

\*\* For any additional accessories such as tank filling inlets, outlets, over-flow, etc. demonstrated in page 72. please contact Netafim representative

→ Water Tanks with Tension Covers with Central Post

Water Tanks Description	Catalog Numbers	Item Descriptions	Units/Tank	
<b>NetaTank 183m<sup>3</sup></b> (D10.05 X H2.31)  Including tension cover with central post	77700-015650	STEEL TANK EVP-SP 183m3 D=10.05 H=2.31	1	
	77700-028390	WALL P.SHEET-NETAFIM D=10.05M	1	
	77700-040265	LINER-NETAFIM (I.B) D=10.05 H=2.31	1	
	77700-035800	TANK TENSIONED COVER-NETAFIM D=10.05M	1	
	77700-040650	WELDED OUTLET 90-225 LINER-NET (I.B)	2*	
	77700-002485	ASSEMBLY SET FOR ONE CONICAL OUTLET EVP	2	
	77700-086080	BOTTOM P.SHEET-NETAFIM D=10.05M	1	
	77700-000017	TANK REINFORCMENT RING 10.05M	1	
	<b>Accessories for Central Post</b>			
	77700-800600	TOP PLATE F/COVER SUPPORT 2*FTH EVP	1	
	77700-800650	BOTTOM PLATE F/COVER SUPPORT 2*FTH EVP	1	
	78200-006600	GALVA. SOCKET 2	3	
	78000-008400	NIPPLE 2**80 CM GALVAN.	3	
	78000-008200	NIPPLE 2**60 CM GALVAN.	1	
78760-022900	PLASTIC ROPE 4MM BLACK-700M	1		
<b>NetaTank 244m<sup>3</sup></b> (D10.05 X H3.07)  Including tension cover with central post	77700-015660	STEEL TANK EVP-SP 244m3 D=10.05 H=3.07	1	
	77700-028390	WALL P.SHEET-NETAFIM D=10.05M	1	
	77700-040315	LINER-NETAFIM (I.B) D=10.05 H=3.07	1	
	77700-035800	TANK TENSIONED COVER-NETAFIM D=10.05M	1	
	77700-040650	WELDED OUTLET 90-225 LINER-NET (I.B)	2*	
	77700-002485	ASSEMBLY SET FOR ONE CONICAL OUTLET EVP	2	
	77700-086080	BOTTOM P.SHEET-NETAFIM D=10.05M	1	
	77700-000017	TANK REINFORCMENT RING 10.05M	1	
	<b>Accessories for Central Post</b>			
	77700-800600	TOP PLATE F/COVER SUPPORT 2*FTH EVP	1	
	77700-800650	BOTTOM PLATE F/COVER SUPPORT 2*FTH EVP	1	
	78200-006600	GALVA. SOCKET 2	4	
	78000-008400	NIPPLE 2**80 CM GALVAN.	4	
	78000-008200	NIPPLE 2**60 CM GALVAN.	1	
78760-022900	PLASTIC ROPE 4MM BLACK-700M	1		
<b>NetaTank 304m<sup>3</sup></b> (D10.05 X H3.83)  Including tension cover with central post	77700-015670	STEEL TANK EVP-SP 304m3 D=10.05 H=3.83	1	
	77700-028390	WALL P.SHEET-NETAFIM D=10.05M	1	
	77700-040325	LINER-NETAFIM (I.B) D=10.05 H=3.83	1	
	77700-035800	TANK TENSIONED COVER-NETAFIM D=10.05M	1	
	77700-040650	WELDED OUTLET 90-225 LINER-NET (I.B)	2*	
	77700-002485	ASSEMBLY SET FOR ONE CONICAL OUTLET EVP	2	
	77700-086080	BOTTOM P.SHEET-NETAFIM D=10.05M	1	
	77700-000017	TANK REINFORCMENT RING 10.05M	1	
	<b>Accessories for Central Post</b>			
	77700-800600	TOP PLATE F/COVER SUPPORT 2*FTH EVP	1	
	77700-800650	BOTTOM PLATE F/COVER SUPPORT 2*FTH EVP	1	
	78200-006600	GALVA. SOCKET 2	5	
	78000-008400	NIPPLE 2**80 CM GALVAN.	5	
	78000-008200	NIPPLE 2**60 CM GALVAN.	1	
78760-022900	PLASTIC ROPE 4MM BLACK-700M	1		

\* When ordering, please attach the liner ordering form as described in page 68

\*\* For any additional accessories such as tank filling inlets, outlets, over-flow, etc. demonstrated in page 72. please contact Netafim representative

→ Water Tanks with Tension Covers with Central Post

Water Tanks Description	Catalog Numbers	Item Descriptions	Units/Tank	
<b>NetaTank 364m<sup>3</sup></b> (D10.05 X H4.59)  Including tension cover with central post	77700-015555	STEEL TANK EVP-SP 274m3 D=8.71 H=4.59	1	
	77700-028390	WALL P.SHEET-NETAFIM D=10.05M	1	
	77700-042222	LINER-NETAFIM (I.B) D=10.05 H=4.59	1	
	77700-035800	TANK TENSIONED COVER-NETAFIM D=10.05M	1	
	77700-040650	WELDED OUTLET 90-225 LINER-NET (I.B)	2*	
	77700-002485	ASSEMBLY SET FOR ONE CONICAL OUTLET EVP	2	
	77700-086080	BOTTOM P.SHEET-NETAFIM D=10.05M	1	
	77700-000017	TANK REINFORCMENT RING 10.05M	1	
	<b>Accessories for Central Post</b>			
	77700-800600	TOP PLATE F/COVER SUPPORT 2*FTH EVP	1	
	77700-800650	BOTTOM PLATE F/COVER SUPPORT 2*FTH EVP	1	
	78200-006600	GALVA. SOCKET 2	4	
	78000-008400	NIPPLE 2**80 CM GALVAN.	4	
	78000-008200	NIPPLE 2**60 CM GALVAN.	1	
78760-022900	PLASTIC ROPE 4MM BLACK-700M	1		
<b>NetaTank 208m<sup>3</sup></b> (D10.72 X H2.31)  Including tension cover with central post	77700-015700	STEEL TANK EVP-SP 208m3 D=10.72 H=2.31	1	
	77700-028395	WALL P.SHEET-NETAFIM D=10.72M	1	
	77700-040335	LINER-NETAFIM (I.B) D=10.72 H=2.31	1	
	77700-035900	TANK TENSIONED COVER-NETAFIM D=10.72M	1	
	77700-040650	WELDED OUTLET 90-225 LINER-NET (I.B)	2*	
	77700-002485	ASSEMBLY SET FOR ONE CONICAL OUTLET EVP	2	
	77700-086000	BOTTOM P.SHEET-NETAFIM D=10.72M	1	
	77700-000018	TANK REINFORCMENT RING 10.72M	1	
	<b>Accessories for Central Post</b>			
	77700-800600	TOP PLATE F/COVER SUPPORT 2*FTH EVP	1	
	77700-800650	BOTTOM PLATE F/COVER SUPPORT 2*FTH EVP	1	
	78200-006600	GALVA. SOCKET 2	3	
	78000-008400	NIPPLE 2**80 CM GALVAN.	3	
	78000-008200	NIPPLE 2**60 CM GALVAN.	1	
78760-022900	PLASTIC ROPE 4MM BLACK-700M	1		
<b>NetaTank 277m<sup>3</sup></b> (D10.72 X H3.07)  Including tension cover with central post	77700-015710	STEEL TANK EVP-SP 277m3 D=10.72 H=3.07	1	
	77700-028395	WALL P.SHEET-NETAFIM D=10.72M	1	
	77700-040404	LINER-NETAFIM (I.B) D=10.72 H=3.07	1	
	77700-035900	TANK TENSIONED COVER-NETAFIM D=10.72M	1	
	77700-040650	WELDED OUTLET 90-225 LINER-NET (I.B)	2*	
	77700-002485	ASSEMBLY SET FOR ONE CONICAL OUTLET EVP	2	
	77700-086000	BOTTOM P.SHEET-NETAFIM D=10.72M	1	
	77700-000018	TANK REINFORCMENT RING 10.72M	1	
	<b>Accessories for Central Post</b>			
	77700-800600	TOP PLATE F/COVER SUPPORT 2*FTH EVP	1	
	77700-800650	BOTTOM PLATE F/COVER SUPPORT 2*FTH EVP	1	
	78200-006600	GALVA. SOCKET 2	4	
	78000-008400	NIPPLE 2**80 CM GALVAN.	4	
	78000-008200	NIPPLE 2**60 CM GALVAN.	1	
78760-022900	PLASTIC ROPE 4MM BLACK-700M	1		

\* When ordering, please attach the liner ordering form as described in page 68

\*\* For any additional accessories such as tank filling inlets, outlets, over-flow, etc. demonstrated in page 72. please contact Netafim representative

→ Water Tanks with Tension Covers with Central Post

Water Tanks Description	Catalog Numbers	Item Descriptions	Units/Tank	
<b>NetaTank 346m<sup>3</sup></b> (D10.72 X H3.83)  Including tension cover with central post	77700-015720	STEEL TANK EVP-SP 346m3 D=10.72 H=3.83	1	
	77700-028395	WALL P.SHEET-NETAFIM D=10.72M	1	
	77700-040406	LINER-NETAFIM (I.B) D=10.72 H=3.83	1	
	77700-035900	TANK TENSIONED COVER-NETAFIM D=10.72M	1	
	77700-040650	WELDED OUTLET 90-225 LINER-NET (I.B)	2*	
	77700-002485	ASSEMBLY SET FOR ONE CONICAL OUTLET EVP	2	
	77700-086000	BOTTOM P.SHEET-NETAFIM D=10.72M	1	
	77700-000018	TANK REINFORCMENT RING 10.72M	1	
	<b>Accessories for Central Post</b>			
	77700-800600	TOP PLATE F/COVER SUPPORT 2*FTH EVP	1	
	77700-800650	BOTTOM PLATE F/COVER SUPPORT 2*FTH EVP	1	
	78200-006600	GALVA. SOCKET 2	5	
	78000-008400	NIPPLE 2**80 CM GALVAN.	5	
	78000-008200	NIPPLE 2**60 CM GALVAN.	1	
78760-022900	PLASTIC ROPE 4MM BLACK-700M	1		
<b>NetaTank 415m<sup>3</sup></b> (D10.72 X H4.59)  Including tension cover with central post	77700-015949	STEEL TANK EVP-SP 415m3 D=10.72 H=4.59	1	
	77700-028395	WALL P.SHEET-NETAFIM D=10.72M	1	
	77700-040326	LINER-NETAFIM (I.B) D=10.72 H=4.59	1	
	77700-035900	TANK TENSIONED COVER-NETAFIM D=10.72M	1	
	77700-040650	WELDED OUTLET 90-225 LINER-NET (I.B)	2*	
	77700-002485	ASSEMBLY SET FOR ONE CONICAL OUTLET EVP	2	
	77700-086000	BOTTOM P.SHEET-NETAFIM D=10.72M	1	
	77700-000018	TANK REINFORCMENT RING 10.72M	1	
	<b>Accessories for Central Post</b>			
	77700-800600	TOP PLATE F/COVER SUPPORT 2*FTH EVP	1	
	77700-800650	BOTTOM PLATE F/COVER SUPPORT 2*FTH EVP	1	
	78200-006600	GALVA. SOCKET 2	6	
	78000-008400	NIPPLE 2**80 CM GALVAN.	5	
	78000-008200	NIPPLE 2**60 CM GALVAN.	2	
78760-022900	PLASTIC ROPE 4MM BLACK-700M	2		
<b>NetaTank 235m<sup>3</sup></b> (D11.39 X H2.31)  Including tension cover with central post	77700-015760	STEEL TANK EVP-SP 235m3 D=11.39 H=2.31	1	
	77700-028396	WALL P.SHEET-NETAFIM D=11.39M	1	
	77700-040267	LINER-NETAFIM (I.B) D=11.39 H=2.31	1	
	77700-035905	TANK TENSIONED COVER-NETAFIM D=11.39M	1	
	77700-040650	WELDED OUTLET 90-225 LINER-NET (I.B)	2*	
	77700-002485	ASSEMBLY SET FOR ONE CONICAL OUTLET EVP	2	
	77700-086055	BOTTOM P.SHEET-NETAFIM D=11.39M	1	
	77700-000019	TANK REINFORCMENT RING 11.39M	1	
	<b>Accessories for Central Post</b>			
	77700-800600	TOP PLATE F/COVER SUPPORT 2*FTH EVP	1	
	77700-800650	BOTTOM PLATE F/COVER SUPPORT 2*FTH EVP	1	
	78200-006600	GALVA. SOCKET 2	3	
	78000-008400	NIPPLE 2**80 CM GALVAN.	3	
	78000-008200	NIPPLE 2**60 CM GALVAN.	1	
78760-022900	PLASTIC ROPE 4MM BLACK-700M	1		

\* When ordering, please attach the liner ordering form as described in page 68

\*\* For any additional accessories such as tank filling inlets, outlets, over-flow, etc. demonstrated in page 72. please contact Netafim representative



→ Water Tanks with Tension Covers with Central Post

Water Tanks Description	Catalog Numbers	Item Descriptions	Units/Tank	
<b>NetaTank 313m<sup>3</sup></b> (D11.39 X H3.07)  Including tension cover with central post	77700-015770	STEEL TANK EVP-SP 313m3 D=11.39 H=3.07	1	
	77700-028396	WALL P.SHEET-NETAFIM D=11.39M	1	
	77700-040268	LINER-NETAFIM (I.B) D=11.39 H=3.07	1	
	77700-035905	TANK TENSIONED COVER-NETAFIM D=11.39M	1	
	77700-040650	WELDED OUTLET 90-225 LINER-NET (I.B)	2*	
	77700-002485	ASSEMBLY SET FOR ONE CONICAL OUTLET EVP	2	
	77700-086055	BOTTOM P.SHEET-NETAFIM D=11.39M	1	
	77700-000019	TANK REINFORCMENT RING 11.39M	1	
	<b>Accessories for Central Post</b>			
	77700-800600	TOP PLATE F/COVER SUPPORT 2*FTH EVP	1	
	77700-800650	BOTTOM PLATE F/COVER SUPPORT 2*FTH EVP	1	
	78200-006600	GALVA. SOCKET 2	4	
	78000-008400	NIPPLE 2**80 CM GALVAN.	4	
	78000-008200	NIPPLE 2**60 CM GALVAN.	1	
	78760-022900	PLASTIC ROPE 4MM BLACK-700M	1	
<b>NetaTank 390m<sup>3</sup></b> (D11.39 X H3.83)  Including tension cover with central post	77700-015780	STEEL TANK EVP-SP 390m3 D=11.39 H=3.83	1	
	77700-028396	WALL P.SHEET-NETAFIM D=11.39M	1	
	77700-040269	LINER-NETAFIM (I.B) D=11.39 H=3.83	1	
	77700-035905	TANK TENSIONED COVER-NETAFIM D=11.39M	1	
	77700-040650	WELDED OUTLET 90-225 LINER-NET (I.B)	2*	
	77700-002485	ASSEMBLY SET FOR ONE CONICAL OUTLET EVP	2	
	77700-086055	BOTTOM P.SHEET-NETAFIM D=11.39M	1	
	77700-000019	TANK REINFORCMENT RING 11.39M	1	
	<b>Accessories for Central Post</b>			
	77700-800600	TOP PLATE F/COVER SUPPORT 2*FTH EVP	1	
	77700-800650	BOTTOM PLATE F/COVER SUPPORT 2*FTH EVP	1	
	78200-006600	GALVA. SOCKET 2	5	
	78000-008400	NIPPLE 2**80 CM GALVAN.	5	
	78000-008200	NIPPLE 2**60 CM GALVAN.	1	
	78760-022900	PLASTIC ROPE 4MM BLACK-700M	1	
<b>NetaTank 468m<sup>3</sup></b> (D11.39 X H4.59)  Including tension cover with central post	77700-016009	STEEL TANK EVP-SP 468m3 D=11.39 H=4.59	1	
	77700-028396	WALL P.SHEET-NETAFIM D=11.39M	1	
	77700-040409	LINER-NETAFIM (I.B) D=11.39 H=4.59	1	
	77700-035905	TANK TENSIONED COVER-NETAFIM D=11.39M	1	
	77700-040650	WELDED OUTLET 90-225 LINER-NET (I.B)	1	
	77700-002485	ASSEMBLY SET FOR ONE CONICAL OUTLET EVP	2	
	77700-086055	BOTTOM P.SHEET-NETAFIM D=11.39M	1	
	77700-000019	TANK REINFORCMENT RING 11.39M	1	
	<b>Accessories for Central Post</b>			
	77700-800600	TOP PLATE F/COVER SUPPORT 2*FTH EVP	1	
	77700-800650	BOTTOM PLATE F/COVER SUPPORT 2*FTH EVP	1	
	78200-006600	GALVA. SOCKET 2	6	
	78000-008400	NIPPLE 2**80 CM GALVAN.	5	
	78000-008200	NIPPLE 2**60 CM GALVAN.	2	
	78760-022900	PLASTIC ROPE 4MM BLACK-700M	2	

\* When ordering, please attach the liner ordering form as described in page 68

\*\* For any additional accessories such as tank filling inlets, outlets, over-flow, etc. demonstrated in page 72. please contact Netafim representative

→ Water Tanks with Tension Covers with Central Post

Water Tanks Description	Catalog Numbers	Item Descriptions	Units/Tank	
<b>NetaTank 264m<sup>3</sup></b> (D12.06 X H2.31)  Including tension cover with central post	77700-015820	STEEL TANK EVP-SP 264m3 D=12.06 H=2.31	1	
	77700-028400	WALL P.SHEET-NETAFIM D=12.06M	1	
	77700-040408	LINER-NETAFIM (I.B) D=12.06 H=2.31	1	
	77700-036000	TANK TENSIONED COVER-NETAFIM D=12.06M	1	
	77700-040650	WELDED OUTLET 90-225 LINER-NET (I.B)	2*	
	77700-002485	ASSEMBLY SET FOR ONE CONICAL OUTLET EVP	2	
	77700-086010	BOTTOM P.SHEET-NETAFIM D=12.06M	1	
	77700-000020	TANK REINFORCMENT RING 12.06M	1	
	<b>Accessories for Central Post</b>			
	77700-800600	TOP PLATE F/COVER SUPPORT 2*FTH EVP	1	
	77700-800650	BOTTOM PLATE F/COVER SUPPORT 2*FTH EVP	1	
	78200-006600	GALVA. SOCKET 2	3	
	78000-008400	NIPPLE 2**80 CM GALVAN.	3	
	78000-008200	NIPPLE 2**60 CM GALVAN.	1	
78760-022900	PLASTIC ROPE 4MM BLACK-700M	1		
<b>NetaTank 351m<sup>3</sup></b> (D12.06 X H3.07)  Including tension cover with central post	77700-015830	STEEL TANK EVP-SP 351m3 D=12.06 H=3.07	1	
	77700-028400	WALL P.SHEET-NETAFIM D=12.06M	1	
	77700-040481	LINER-NETAFIM (I.B) D=12.06 H=3.07	1	
	77700-036000	TANK TENSIONED COVER-NETAFIM D=12.06M	1	
	77700-040650	WELDED OUTLET 90-225 LINER-NET (I.B)	2*	
	77700-002485	ASSEMBLY SET FOR ONE CONICAL OUTLET EVP	2	
	77700-086010	BOTTOM P.SHEET-NETAFIM D=12.06M	1	
	77700-000020	TANK REINFORCMENT RING 12.06M	1	
	<b>Accessories for Central Post</b>			
	77700-800600	TOP PLATE F/COVER SUPPORT 2*FTH EVP	1	
	77700-800650	BOTTOM PLATE F/COVER SUPPORT 2*FTH EVP	1	
	78200-006600	GALVA. SOCKET 2	4	
	78000-008400	NIPPLE 2**80 CM GALVAN.	4	
	78000-008200	NIPPLE 2**60 CM GALVAN.	1	
78760-022900	PLASTIC ROPE 4MM BLACK-700M	1		
<b>NetaTank 438m<sup>3</sup></b> (D12.06 X H3.83)  Including tension cover with central post	77700-015840	STEEL TANK EVP-SP 438m3 D=12.06 H=3.83	1	
	77700-028400	WALL P.SHEET-NETAFIM D=12.06M	1	
	77700-040483	LINER-NETAFIM (I.B) D=12.06 H=3.83	1	
	77700-036000	TANK TENSIONED COVER-NETAFIM D=12.06M	1	
	77700-040650	WELDED OUTLET 90-225 LINER-NET (I.B)	2*	
	77700-002485	ASSEMBLY SET FOR ONE CONICAL OUTLET EVP	2	
	77700-086010	BOTTOM P.SHEET-NETAFIM D=12.06M	1	
	77700-000020	TANK REINFORCMENT RING 12.06M	1	
	<b>Accessories for Central Post</b>			
	77700-800600	TOP PLATE F/COVER SUPPORT 2*FTH EVP	1	
	77700-800650	BOTTOM PLATE F/COVER SUPPORT 2*FTH EVP	1	
	78200-006600	GALVA. SOCKET 2	5	
	78000-008400	NIPPLE 2**80 CM GALVAN.	5	
	78000-008200	NIPPLE 2**60 CM GALVAN.	1	
78760-022900	PLASTIC ROPE 4MM BLACK-700M	1		

\* When ordering, please attach the liner ordering form as described in page 68

\*\* For any additional accessories such as tank filling inlets, outlets, over-flow, etc. demonstrated in page 72. please contact Netafim representative

→ Water Tanks with Tension Covers with Central Post

Water Tanks Description	Catalog Numbers	Item Descriptions	Units/Tank	
<b>NetaTank 525m<sup>3</sup></b> (D12.06 X H4.59)  Including tension cover with central post	77700-015955	STEEL TANK EVP-SP 525m3 D=12.06 H=4.59	1	
	77700-028400	WALL P.SHEET-NETAFIM D=12.06M	1	
	77700-040484	LINER-NETAFIM (I.B) D=12.06 H=4.59	1	
	77700-036000	TANK TENSIONED COVER-NETAFIM D=12.06M	1	
	77700-040650	WELDED OUTLET 90-225 LINER-NET (I.B)	2*	
	77700-002485	ASSEMBLY SET FOR ONE CONICAL OUTLET EVP	2	
	77700-086010	BOTTOM P.SHEET-NETAFIM D=12.06M	1	
	77700-000020	TANK REINFORCMENT RING 12.06M	1	
	<b>Accessories for Central Post</b>			
	77700-800600	TOP PLATE F/COVER SUPPORT 2*FTH EVP	1	
	77700-800650	BOTTOM PLATE F/COVER SUPPORT 2*FTH EVP	1	
	78200-006600	GALVA. SOCKET 2	6	
	78000-008400	NIPPLE 2**80 CM GALVAN.	5	
	78000-008200	NIPPLE 2**60 CM GALVAN.	2	
78760-022900	PLASTIC ROPE 4MM BLACK-700M	2		
<b>NetaTank 294m<sup>3</sup></b> (D12.73 X H2.31)  Including tension cover with central post	77700-015880	STEEL TANK EVP-SP 294m3 D=12.73 H=2.31	1	
	77700-028410	WALL P.SHEET-NETAFIM D=12.73M	1	
	77700-040486	LINER-NETAFIM (I.B) D=12.73 H=2.31	1	
	77700-036100	TANK TENSIONED COVER-NETAFIM D=12.73M	1	
	77700-040650	WELDED OUTLET 90-225 LINER-NET (I.B)	2*	
	77700-002485	ASSEMBLY SET FOR ONE CONICAL OUTLET EVP	2	
	77700-086020	BOTTOM P.SHEET-NETAFIM D=12.73M	1	
	77700-000021	TANK REINFORCMENT RING 12.73M	1	
	<b>Accessories for Central Post</b>			
	77700-800600	TOP PLATE F/COVER SUPPORT 2*FTH EVP	1	
	77700-800650	BOTTOM PLATE F/COVER SUPPORT 2*FTH EVP	1	
	78200-006600	GALVA. SOCKET 2	3	
	78000-008400	NIPPLE 2**80 CM GALVAN.	3	
	78000-008200	NIPPLE 2**60 CM GALVAN.	1	
78760-022900	PLASTIC ROPE 4MM BLACK-700M	1		
<b>NetaTank 391m<sup>3</sup></b> (D12.73 X H3.07)  Including tension cover with central post	77700-015890	STEEL TANK EVP-SP 391m3 D=12.73 H=3.07	1	
	77700-028410	WALL P.SHEET-NETAFIM D=12.73M	1	
	77700-040487	LINER-NETAFIM (I.B) D=12.73 H=3.07	1	
	77700-036100	TANK TENSIONED COVER-NETAFIM D=12.73M	1	
	77700-040650	WELDED OUTLET 90-225 LINER-NET (I.B)	2*	
	77700-002485	ASSEMBLY SET FOR ONE CONICAL OUTLET EVP	2	
	77700-086020	BOTTOM P.SHEET-NETAFIM D=12.73M	1	
	77700-000021	TANK REINFORCMENT RING 12.73M	1	
	<b>Accessories for Central Post</b>			
	77700-800600	TOP PLATE F/COVER SUPPORT 2*FTH EVP	1	
	77700-800650	BOTTOM PLATE F/COVER SUPPORT 2*FTH EVP	1	
	78200-006600	GALVA. SOCKET 2	4	
	78000-008400	NIPPLE 2**80 CM GALVAN.	4	
	78000-008200	NIPPLE 2**60 CM GALVAN.	1	
78760-022900	PLASTIC ROPE 4MM BLACK-700M	1		

\* When ordering, please attach the liner ordering form as described in page 68

\*\* For any additional accessories such as tank filling inlets, outlets, over-flow, etc. demonstrated in page 72. please contact Netafim representative

→ Water Tanks with Tension Covers with Central Post

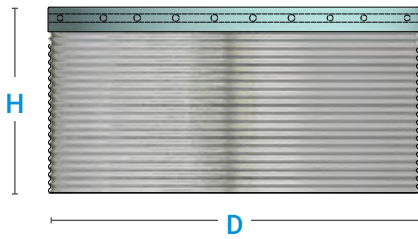
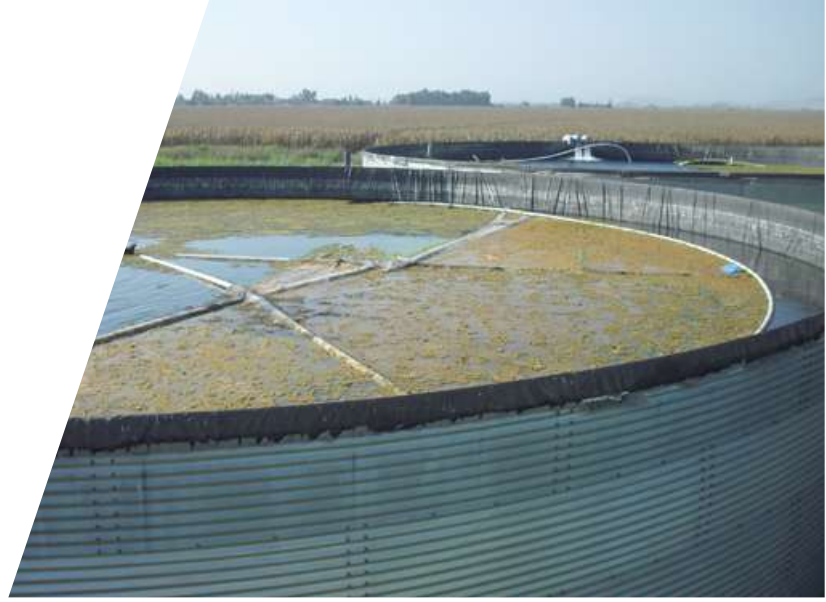
Water Tanks Description	Catalog Numbers	Item Descriptions	Units/Tank	
<p><b>NetaTank488m<sup>3</sup></b> (D12.73 X H3.83)</p> <p>Including tension cover with central post</p>	77700-015900	STEEL TANK EVP-SP 488m3 D=12.73 H=3.83	1	
	77700-028410	WALL P.SHEET-NETAFIM D=12.73M	1	
	77700-040488	LINER-NETAFIM (I.B) D=12.73 H=3.83	1	
	77700-036100	TANK TENSIONED COVER-NETAFIM D=12.73M	1	
	77700-040650	WELDED OUTLET 90-225 LINER-NET (I.B)	2*	
	77700-002485	ASSEMBLY SET FOR ONE CONICAL OUTLET EVP	2	
	77700-086020	BOTTOM P.SHEET-NETAFIM D=12.73M	1	
	77700-000021	TANK REINFORCMENT RING 12.73M	1	
	<b>Accessories for Central Post</b>			
	77700-800600	TOP PLATE F/COVER SUPPORT 2"FTH EVP	1	
	77700-800650	BOTTOM PLATE F/COVER SUPPORT 2"FTH EVP	1	
	78200-006600	GALVA. SOCKET 2	5	
	78000-008400	NIPPLE 2**80 CM GALVAN.	5	
	78000-008200	NIPPLE 2**60 CM GALVAN.	1	
	78760-022900	PLASTIC ROPE 4MM BLACK-700M	1	

\* When ordering, please attach the liner ordering form as described in page 68

\*\* For any additional accessories such as tank filling inlets, outlets, over-flow, etc. demonstrated in page 72. please contact Netafim representative

# Floating Cover Water Tanks

The below catalog numbers include all the necessary components – metal tanks, liners, cover (as described) and all the required accessories for ideal installation.



Extremely reliable



Sturdy materials



Peace of Mind

## → Tanks - Corrugated Galvanized Steel Plates

- ✓ Short panels length: 2.11m/6.92ft
- ✓ Galvanization: Magzinc - Equivalent to Z600 galvanized steel. (Bottom coating epoxy optional)

## → Water Tanks with Floating Cover

Water Tanks Description	Catalog Numbers	Item Descriptions	Units/Tank	
<b>NetaTank 325m<sup>3</sup></b> (D13.4 X H2.31) Including floating cover	77700-015940	STEEL TANK EVP-SP 325M3 D=13.4 H=2.31	1	
	77700-028420	WALL P.SHEET-NETAFIM D=13.4M	1	
	77700-041010	LINER-NETAFIM (I.B) D=13.4 H=2.31	1	
	77700-003870	TANK FLOATING COVER-NETAFIM D=13.4M	1	
	77700-040650	WELDED OUTLET 90-225 LINER-NET (I.B)	2*	
	77700-002485	ASSEMBLY SET FOR ONE CONICAL OUTLET EVP	2	
	77700-086030	BOTTOM P.SHEET-NETAFIM D=13.4M	1	
	<b>Accessories for Floating Covers</b>			
	75260-006200	PIPE PVC 63 GLUED 6	125m	
	77400-019900	PVC CAP 63 GLUE	14	
77400-003800	PVC SOCKET 63 MM GLUE	5		
77100-004300	BLACK BAND 368*5-100UNITS	1		
76900-001000	WELD-ON CEMENT 717LOW VOC PVC PL.P 1000G	1		
76900-001100	WELD-ON PRIMER P68LOW VOC PVC PL. P1000G	1		

\* When ordering, please attach the liner ordering form as described in page 68

\*\* For any additional accessories such as tank filling inlets, outlets, over-flow, etc. demonstrated in page 72. please contact Netafim representative

→ Water Tanks with Floating Cover

Water Tanks Description	Catalog Numbers	Item Descriptions	Units/Tank	
<b>NetaTank 433m<sup>3</sup></b> (D13.4 X H3.07)  Including floating cover	77700-015950	STEEL TANK EVP-SP 433M3 D=13.4 H=3.07	1	
	77700-028420	WALL P.SHEET-NETAFIM D=13.4M	1	
	77700-041011	LINER-NETAFIM (I.B) D=13.4 H=3.07	1	
	77700-003870	TANK FLOATING COVER-NETAFIM D=13.4M	1	
	77700-040650	WELDED OUTLET 90-225 LINER-NET (I.B)	2*	
	77700-002485	ASSEMBLY SET FOR ONE CONICAL OUTLET EVP	2	
	77700-086030	BOTTOM P.SHEET-NETAFIM D=13.4M	1	
	<b>Accessories for Floating Covers</b>			
	75260-006200	PIPE PVC 63 GLUED 6	125m	
	77400-019900	PVC CAP 63 GLUE	14	
	77400-003800	PVC SOCKET 63 MM GLUE	5	
	77100-004300	BLACK BAND 368*5-100UNITS	1	
	76900-001000	WELD-ON CEMENT 717LOW VOC PVC PL.P 1000G	1	
76900-001100	WELD-ON PRIMER P68LOW VOC PVC PL. P1000G	1		
<b>NetaTank 540m<sup>3</sup></b> (D13.4 X H3.83)  Including floating cover	77700-015960	STEEL TANK EVP-SP 540M3 D=13.4 H=3.83	1	
	77700-028420	WALL P.SHEET-NETAFIM D=13.4M	1	
	77700-041012	LINER-NETAFIM (I.B) D=13.4 H=3.83	1	
	77700-003870	TANK FLOATING COVER-NETAFIM D=13.4M	1	
	77700-040650	WELDED OUTLET 90-225 LINER-NET (I.B)	2*	
	77700-002485	ASSEMBLY SET FOR ONE CONICAL OUTLET EVP	2	
	77700-086030	BOTTOM P.SHEET-NETAFIM D=13.4M	1	
	<b>Accessories for Floating Covers</b>			
	75260-006200	PIPE PVC 63 GLUED 6	125m	
	77400-019900	PVC CAP 63 GLUE	14	
	77400-003800	PVC SOCKET 63 MM GLUE	5	
	77100-004300	BLACK BAND 368*5-100UNITS	1	
	76900-001000	WELD-ON CEMENT 717LOW VOC PVC PL.P 1000G	1	
76900-001100	WELD-ON PRIMER P68LOW VOC PVC PL. P1000G	1		
<b>NetaTank 640m<sup>3</sup></b> (D13.4 X H4.59)  Including floating cover	77700-016230	STEEL TANK EVP-SP 648M3 D=13.4 H=4.59	1	
	77700-028420	WALL P.SHEET-NETAFIM D=13.4M	1	
	77700-042190	LINER-NETAFIM (I.B) D=13.4 H=4.59	1	
	77700-003870	TANK FLOATING COVER-NETAFIM D=13.4M	1	
	77700-040650	WELDED OUTLET 90-225 LINER-NET (I.B)	2*	
	77700-002485	ASSEMBLY SET FOR ONE CONICAL OUTLET EVP	2	
	77700-086030	BOTTOM P.SHEET-NETAFIM D=13.4M	1	
	<b>Accessories for Floating Covers</b>			
	75260-006200	PIPE PVC 63 GLUED 6	125m	
	77400-019900	PVC CAP 63 GLUE	14	
	77400-003800	PVC SOCKET 63 MM GLUE	5	
	77100-004300	BLACK BAND 368*5-100UNITS	1	
	76900-001000	WELD-ON CEMENT 717LOW VOC PVC PL.P 1000G	1	
76900-001100	WELD-ON PRIMER P68LOW VOC PVC PL. P1000G	1		

\* When ordering, please attach the liner ordering form as described in page 68

\*\* For any additional accessories such as tank filling inlets, outlets, over-flow, etc. demonstrated in page 72. please contact Netafim representative

→ Water Tanks with Floating Cover

Water Tanks Description	Catalog Numbers	Item Descriptions	Units/Tank	
<b>NetaTank 359m<sup>3</sup></b> (D14.07 X H2.31)  Including floating cover	77700-016000	STEEL TANK EVP-SP 359M3 D=14.07 H=2.31		
	77700-028430	WALL P.SHEET-NETAFIM D=14.07M	1	
	77700-040489	LINER-NETAFIM (I.B) D=14.07 H=2.31	1	
	77700-003936	TANK FLOATING COVER-NETAFIM D=14.07M	1	
	77700-040650	WELDED OUTLET 90-225 LINER-NET (I.B)	2*	
	77700-002485	ASSEMBLY SET FOR ONE CONICAL OUTLET EVP	2	
	77700-086035	BOTTOM P.SHEET-NETAFIM D=14.07M	1	
	<b>Accessories for Floating Covers</b>			
	75260-006200	PIPE PVC 63 GLUED 6		136m
	77400-019900	PVC CAP 63 GLUE		15
	77400-003800	PVC SOCKET 63 MM GLUE		5
	77100-004300	BLACK BAND 368*5-100UNITS		1
	76900-001000	WELD-ON CEMENT 717LOW VOC PVC PL.P 1000G		1
	76900-001100	WELD-ON PRIMER P68LOW VOC PVC PL. P1000G		1
<b>NetaTank 477m<sup>3</sup></b> (D14.07 X H3.07)  Including floating cover	77700-016010	STEEL TANK EVP-SP 477M3 D=14.07 H=3.07	1	
	77700-028430	WALL P.SHEET-NETAFIM D=14.07M	1	
	77700-040492	LINER-NETAFIM (I.B) D=14.07 H=3.07	1	
	77700-003936	TANK FLOATING COVER-NETAFIM D=14.07M	1	
	77700-040650	WELDED OUTLET 90-225 LINER-NET (I.B)	2*	
	77700-002485	ASSEMBLY SET FOR ONE CONICAL OUTLET EVP	2	
	77700-086035	BOTTOM P.SHEET-NETAFIM D=14.07M	1	
	<b>Accessories for Floating Covers</b>			
	75260-006200	PIPE PVC 63 GLUED 6		136m
	77400-019900	PVC CAP 63 GLUE		15
	77400-003800	PVC SOCKET 63 MM GLUE		5
	77100-004300	BLACK BAND 368*5-100UNITS		1
	76900-001000	WELD-ON CEMENT 717LOW VOC PVC PL.P 1000G		1
	76900-001100	WELD-ON PRIMER P68LOW VOC PVC PL. P1000G		1
<b>NetaTank 596m<sup>3</sup></b> (D14.07 X H3.83)  Including floating cover	77700-016020	STEEL TANK EVP-SP 596M3 D=14.07 H=3.83	1	
	77700-028430	WALL P.SHEET-NETAFIM D=14.07M	1	
	77700-040505	LINER-NETAFIM (I.B) D=14.07 H=3.83	1	
	77700-003936	TANK FLOATING COVER-NETAFIM D=14.07M	1	
	77700-040650	WELDED OUTLET 90-225 LINER-NET (I.B)	2*	
	77700-002485	ASSEMBLY SET FOR ONE CONICAL OUTLET EVP	2	
	77700-086035	BOTTOM P.SHEET-NETAFIM D=14.07M	1	
	<b>Accessories for Floating Covers</b>			
	75260-006200	PIPE PVC 63 GLUED 6		136m
	77400-019900	PVC CAP 63 GLUE		15
	77400-003800	PVC SOCKET 63 MM GLUE		5
	77100-004300	BLACK BAND 368*5-100UNITS		1
	76900-001000	WELD-ON CEMENT 717LOW VOC PVC PL.P 1000G		1
	76900-001100	WELD-ON PRIMER P68LOW VOC PVC PL. P1000G		1

\* When ordering, please attach the liner ordering form as described in page 68

\*\* For any additional accessories such as tank filling inlets, outlets, over-flow, etc. demonstrated in page 72. please contact Netafim representative

→ Water Tanks with Floating Cover

Water Tanks Description	Catalog Numbers	Item Descriptions	Units/Tank	
<b>NetaTank 714m<sup>3</sup></b> (D14.07 X H4.59)  Including floating cover	77700-016255	STEEL TANK EVP-SP 714M3 D=14.07 H=4.59	1	
	77700-028430	WALL P.SHEET-NETAFIM D=14.07M	1	
	77700-042235	LINER-NETAFIM (I.B) D=14.07 H=4.59	1	
	77700-003936	TANK FLOATING COVER-NETAFIM D=14.07M	1	
	77700-040650	WELDED OUTLET 90-225 LINER-NET (I.B)	2*	
	77700-002485	ASSEMBLY SET FOR ONE CONICAL OUTLET EVP	2	
	77700-086035	BOTTOM P.SHEET-NETAFIM D=14.07M	1	
	<b>Accessories for Floating Covers</b>			
	75260-006200	PIPE PVC 63 GLUED 6	136m	
	77400-019900	PVC CAP 63 GLUE	15	
	77400-003800	PVC SOCKET 63 MM GLUE	5	
	77100-004300	BLACK BAND 368*5-100UNITS	1	
	76900-001000	WELD-ON CEMENT 717LOW VOC PVC PL.P 1000G	1	
76900-001100	WELD-ON PRIMER P68LOW VOC PVC PL. P1000G	1		
<b>NetaTank 394m<sup>3</sup></b> (D14.74 X H2.31)  Including floating cover	77700-016060	STEEL TANK EVP-SP 394M3 D=14.74 H=2.31	1	
	77700-028450	WALL P.SHEET-NETAFIM D=14.74M	1	
	77700-040510	LINER-NETAFIM (I.B) D=14.74 H=2.31	1	
	77700-035910	TANK FLOATING COVER-NETAFIM D=14.74M	1	
	77700-040650	WELDED OUTLET 90-225 LINER-NET (I.B)	2*	
	77700-002485	ASSEMBLY SET FOR ONE CONICAL OUTLET EVP	2	
	77700-086040	BOTTOM P.SHEET-NETAFIM D=14.74M	1	
	<b>Accessories for Floating Covers</b>			
	75260-006200	PIPE PVC 63 GLUED 6	148m	
	77400-019900	PVC CAP 63 GLUE	16	
	77400-003800	PVC SOCKET 63 MM GLUE	5	
	77100-004300	BLACK BAND 368*5-100UNITS	1	
	76900-001000	WELD-ON CEMENT 717LOW VOC PVC PL.P 1000G	1	
76900-001100	WELD-ON PRIMER P68LOW VOC PVC PL. P1000G	1		
<b>NetaTank 524m<sup>3</sup></b> (D14.74 X H3.07)  Including floating cover	77700-016070	STEEL TANK EVP-SP 524M3 D=14.74 H=3.07	1	
	77700-028450	WALL P.SHEET-NETAFIM D=14.74M	1	
	77700-040530	LINER-NETAFIM (I.B) D=14.74 H=3.07	1	
	77700-035910	TANK FLOATING COVER-NETAFIM D=14.74M	1	
	77700-040650	WELDED OUTLET 90-225 LINER-NET (I.B)	1	
	77700-002485	ASSEMBLY SET FOR ONE CONICAL OUTLET EVP	2	
	77700-086040	BOTTOM P.SHEET-NETAFIM D=14.74M	1	
	<b>Accessories for Floating Covers</b>			
	75260-006200	PIPE PVC 63 GLUED 6	148m	
	77400-019900	PVC CAP 63 GLUE	16	
	77400-003800	PVC SOCKET 63 MM GLUE	5	
	77100-004300	BLACK BAND 368*5-100UNITS	1	
	76900-001000	WELD-ON CEMENT 717LOW VOC PVC PL.P 1000G	1	
76900-001100	WELD-ON PRIMER P68LOW VOC PVC PL. P1000G	1		

\* When ordering, please attach the liner ordering form as described in page 68

\*\* For any additional accessories such as tank filling inlets, outlets, over-flow, etc. demonstrated in page 72. please contact Netafim representative



→ Water Tanks with Floating Cover

Water Tanks Description	Catalog Numbers	Item Descriptions	Units/Tank	
<b>NetaTank 654m<sup>3</sup></b> (D14.74 X H3.83)  Including floating cover	77700-016080	STEEL TANK EVP-SP 654M3 D=14.74 H=3.83	1	
	77700-028450	WALL P.SHEET-NETAFIM D=14.74M	1	
	77700-041020	LINER-NETAFIM (I.B) D=14.74 H=3.83	1	
	77700-035910	TANK FLOATING COVER-NETAFIM D=14.74M	1	
	77700-040650	WELDED OUTLET 90-225 LINER-NET (I.B)	2*	
	77700-002485	ASSEMBLY SET FOR ONE CONICAL OUTLET EVP	2	
	77700-086040	BOTTOM P.SHEET-NETAFIM D=14.74M	1	
	<b>Accessories for Floating Covers</b>			
	75260-006200	PIPE PVC 63 GLUED 6	148m	
	77400-019900	PVC CAP 63 GLUE	16	
	77400-003800	PVC SOCKET 63 MM GLUE	5	
	77100-004300	BLACK BAND 368*5-100UNITS	1	
	76900-001000	WELD-ON CEMENT 717LOW VOC PVC PL.P 1000G	1	
76900-001100	WELD-ON PRIMER P68LOW VOC PVC PL. P1000G	1		
<b>NetaTank 784m<sup>3</sup></b> (D14.74 X H4.59)  Including floating cover	77700-016257	STEEL TANK EVP-SP 784M3 D=14.74 H=4.59	1	
	77700-028450	WALL P.SHEET-NETAFIM D=14.74M	1	
	77700-042236	LINER-NETAFIM (I.B) D=14.74 H=4.59	1	
	77700-035910	TANK FLOATING COVER-NETAFIM D=14.74M	1	
	77700-040650	WELDED OUTLET 90-225 LINER-NET (I.B)	2*	
	77700-002485	ASSEMBLY SET FOR ONE CONICAL OUTLET EVP	2	
	77700-086040	BOTTOM P.SHEET-NETAFIM D=14.74M	1	
	<b>Accessories for Floating Covers</b>			
	75260-006200	PIPE PVC 63 GLUED 6	148m	
	77400-019900	PVC CAP 63 GLUE	16	
	77400-003800	PVC SOCKET 63 MM GLUE	5	
	77100-004300	BLACK BAND 368*5-100UNITS	1	
	76900-001000	WELD-ON CEMENT 717LOW VOC PVC PL.P 1000G	1	
76900-001100	WELD-ON PRIMER P68LOW VOC PVC PL. P1000G	1		
<b>NetaTank 430m<sup>3</sup></b> (D15.41 X H2.31)  Including floating cover	77700-016120	STEEL TANK EVP-SP 430M3 D=15.41 H=2.31	1	
	77700-028455	WALL P.SHEET-NETAFIM D=15.41M	1	
	77700-041040	LINER-NETAFIM (I.B) D=15.41 H=2.31	1	
	77700-036010	TANK FLOATING COVER-NETAFIM D=15.41M	1	
	77700-040650	WELDED OUTLET 90-225 LINER-NET (I.B)	2*	
	77700-002485	ASSEMBLY SET FOR ONE CONICAL OUTLET EVP	2	
	77700-086050	BOTTOM P.SHEET-NETAFIM D=15.41M	1	
	<b>Accessories for Floating Covers</b>			
	75260-006200	PIPE PVC 63 GLUED 6	159m	
	77400-019900	PVC CAP 63 GLUE	16	
	77400-003800	PVC SOCKET 63 MM GLUE	5	
	77100-004300	BLACK BAND 368*5-100UNITS	1	
	76900-001000	WELD-ON CEMENT 717LOW VOC PVC PL.P 1000G	1	
76900-001100	WELD-ON PRIMER P68LOW VOC PVC PL. P1000G	1		

\* When ordering, please attach the liner ordering form as described in page 68

\*\* For any additional accessories such as tank filling inlets, outlets, over-flow, etc. demonstrated in page 72. please contact Netafim representative

→ Water Tanks with Floating Cover

Water Tanks Description	Catalog Numbers	Item Descriptions	Units/Tank	
<b>NetaTank 573m<sup>3</sup></b> (D15.41 X H3.07)	77700-016130	STEEL TANK EVP-SP 573M3 D=15.41 H=3.07	1	
	77700-028455	WALL P.SHEET-NETAFIM D=15.41M	1	
	77700-041100	LINER-NETAFIM (I.B) D=15.41 H=3.07	1	
	77700-036010	TANK FLOATING COVER-NETAFIM D=15.41M	1	
	77700-040650	WELDED OUTLET 90-225 LINER-NET (I.B)	2*	
	77700-002485	ASSEMBLY SET FOR ONE CONICAL OUTLET EVP	2	
	77700-086050	BOTTOM P.SHEET-NETAFIM D=15.41M	1	
	<b>Accessories for Floating Covers</b>			
	75260-006200	PIPE PVC 63 GLUED 6	159m	
	77400-019900	PVC CAP 63 GLUE	16	
77400-003800	PVC SOCKET 63 MM GLUE	5		
77100-004300	BLACK BAND 368*5-100UNITS	1		
76900-001000	WELD-ON CEMENT 717LOW VOC PVC PL.P 1000G	1		
76900-001100	WELD-ON PRIMER P68LOW VOC PVC PL. P1000G	1		
Including floating cover				
<b>NetaTank 715m<sup>3</sup></b> (D15.41 X H3.83)	77700-016140	STEEL TANK EVP-SP 715M3 D=15.41 H=3.83	1	
	77700-028455	WALL P.SHEET-NETAFIM D=15.41M	1	
	77700-041120	LINER-NETAFIM (I.B) D=15.41 H=3.83	1	
	77700-036010	TANK FLOATING COVER-NETAFIM D=15.41M	1	
	77700-040650	WELDED OUTLET 90-225 LINER-NET (I.B)	2*	
	77700-002485	ASSEMBLY SET FOR ONE CONICAL OUTLET EVP	2	
	77700-086050	BOTTOM P.SHEET-NETAFIM D=15.41M	1	
	<b>Accessories for Floating Covers</b>			
	75260-006200	PIPE PVC 63 GLUED 6	159m	
	77400-019900	PVC CAP 63 GLUE	16	
77400-003800	PVC SOCKET 63 MM GLUE	5		
77100-004300	BLACK BAND 368*5-100UNITS	1		
76900-001000	WELD-ON CEMENT 717LOW VOC PVC PL.P 1000G	1		
76900-001100	WELD-ON PRIMER P68LOW VOC PVC PL. P1000G	1		
Including floating cover				
<b>NetaTank 857m<sup>3</sup></b> (D15.41 X H4.59)	77700-016365	STEEL TANK EVP-SP 857M3 D=15.41 H=4.59	1	
	77700-028455	WALL P.SHEET-NETAFIM D=15.41M	1	
	77700-041420	LINER-NETAFIM (I.B) D=15.41 H=4.59	1	
	77700-036010	TANK FLOATING COVER-NETAFIM D=15.41M	1	
	77700-040650	WELDED OUTLET 90-225 LINER-NET (I.B)	2*	
	77700-002485	ASSEMBLY SET FOR ONE CONICAL OUTLET EVP	2	
	77700-086050	BOTTOM P.SHEET-NETAFIM D=15.41M	1	
	<b>Accessories for Floating Covers</b>			
	75260-006200	PIPE PVC 63 GLUED 6	159m	
	77400-019900	PVC CAP 63 GLUE	16	
77400-003800	PVC SOCKET 63 MM GLUE	5		
77100-004300	BLACK BAND 368*5-100UNITS	1		
76900-001000	WELD-ON CEMENT 717LOW VOC PVC PL.P 1000G	1		
76900-001100	WELD-ON PRIMER P68LOW VOC PVC PL. P1000G	1		
Including floating cover				

\* When ordering, please attach the liner ordering form as described in page 68

\*\* For any additional accessories such as tank filling inlets, outlets, over-flow, etc. demonstrated in page 72. please contact Netafim representative

→ Water Tanks with Floating Cover

Water Tanks Description	Catalog Numbers	Item Descriptions	Units/Tank	
<b>NetaTank 469m<sup>3</sup></b> (D16.08 X H2.31)  Including floating cover	77700-016180	STEEL TANK EVP-SP 469M3 D=16.08 H=2.31	1	
	77700-028454	WALL P.SHEET-NETAFIM D=16.08M	1	
	77700-040570	LINER-NETAFIM (I.B) D=16.08 H=2.31	1	
	77700-003911	TANK FLOATING COVER-NETAFIM D=16.08M	1	
	77700-040650	WELDED OUTLET 90-225 LINER-NET (I.B)	1	
	77700-002485	ASSEMBLY SET FOR ONE CONICAL OUTLET EVP	2	
	77700-086058	BOTTOM P.SHEET-NETAFIM D=16.08M	1	
	<b>Accessories for Floating Covers</b>			
	75260-006200	PIPE PVC 63 GLUED 6	172m	
	77400-019900	PVC CAP 63 GLUE	17	
	77400-003800	PVC SOCKET 63 MM GLUE	5	
	77100-004300	BLACK BAND 368*5-100UNITS	2	
	76900-001000	WELD-ON CEMENT 717LOW VOC PVC PL.P 1000G	1	
76900-001100	WELD-ON PRIMER P68LOW VOC PVC PL. P1000G	1		
<b>NetaTank 623m<sup>3</sup></b> (D16.08 X H3.07)  Including floating cover	77700-016190	STEEL TANK EVP-SP 623M3 D=16.08 H=3.07	1	
	77700-028454	WALL P.SHEET-NETAFIM D=16.08M	1	
	77700-040571	LINER-NETAFIM (I.B) D=16.08 H=3.07	1	
	77700-003911	TANK FLOATING COVER-NETAFIM D=16.08M	1	
	77700-040650	WELDED OUTLET 90-225 LINER-NET (I.B)	2*	
	77700-002485	ASSEMBLY SET FOR ONE CONICAL OUTLET EVP	2	
	77700-086058	BOTTOM P.SHEET-NETAFIM D=16.08M	1	
	<b>Accessories for Floating Covers</b>			
	75260-006200	PIPE PVC 63 GLUED 6	172m	
	77400-019900	PVC CAP 63 GLUE	17	
	77400-003800	PVC SOCKET 63 MM GLUE	5	
	77100-004300	BLACK BAND 368*5-100UNITS	2	
	76900-001000	WELD-ON CEMENT 717LOW VOC PVC PL.P 1000G	1	
76900-001100	WELD-ON PRIMER P68LOW VOC PVC PL. P1000G	1		
<b>NetaTank 778m<sup>3</sup></b> (D16.08 X H3.83)  Including floating cover	77700-016200	STEEL TANK EVP-SP 778M3 D=16.08 H=3.83	1	
	77700-028454	WALL P.SHEET-NETAFIM D=16.08M	1	
	77700-040572	LINER-NETAFIM (I.B) D=16.08 H=3.83	1	
	77700-003911	TANK FLOATING COVER-NETAFIM D=16.08M	1	
	77700-040650	WELDED OUTLET 90-225 LINER-NET (I.B)	2*	
	77700-002485	ASSEMBLY SET FOR ONE CONICAL OUTLET EVP	2	
	77700-086058	BOTTOM P.SHEET-NETAFIM D=16.08M	1	
	<b>Accessories for Floating Covers</b>			
	75260-006200	PIPE PVC 63 GLUED 6	172m	
	77400-019900	PVC CAP 63 GLUE	17	
	77400-003800	PVC SOCKET 63 MM GLUE	5	
	77100-004300	BLACK BAND 368*5-100UNITS	2	
	76900-001000	WELD-ON CEMENT 717LOW VOC PVC PL.P 1000G	1	
76900-001100	WELD-ON PRIMER P68LOW VOC PVC PL. P1000G	1		

\* When ordering, please attach the liner ordering form as described in page 68

\*\* For any additional accessories such as tank filling inlets, outlets, over-flow, etc. demonstrated in page 72. please contact Netafim representative

→ Water Tanks with Floating Cover

Water Tanks Description	Catalog Numbers	Item Descriptions	Units/Tank	
<b>NetaTank 933m<sup>3</sup></b> (D16.08 X H4.59)  Including floating cover	77700-016407	STEEL TANK EVP-SP 933M3 D=16.08 H=4.59	1	
	77700-028454	WALL P.SHEET-NETAFIM D=16.08M	1	
	77700-040573	LINER-NETAFIM (I.B) D=16.08 H=4.59	1	
	77700-003911	TANK FLOATING COVER-NETAFIM D=16.08M	1	
	77700-040650	WELDED OUTLET 90-225 LINER-NET (I.B)	2*	
	77700-002485	ASSEMBLY SET FOR ONE CONICAL OUTLET EVP	2	
	77700-086058	BOTTOM P.SHEET-NETAFIM D=16.08M	1	
	<b>Accessories for Floating Covers</b>			
	75260-006200	PIPE PVC 63 GLUED 6	172m	
	77400-019900	PVC CAP 63 GLUE	17	
	77400-003800	PVC SOCKET 63 MM GLUE	5	
	77100-004300	BLACK BAND 368*5-100UNITS	2	
	76900-001000	WELD-ON CEMENT 717LOW VOC PVC PL.P 1000G	1	
	76900-001100	WELD-ON PRIMER P68LOW VOC PVC PL. P1000G	1	
<b>NetaTank 509m<sup>3</sup></b> (D16.75 X H2.31)  Including floating cover	77700-016240	STEEL TANK EVP-SP 509M3 D=16.75 H=2.31	1	
	77700-028456	WALL P.SHEET-NETAFIM D=16.75M	1	
	77700-041140	LINER-NETAFIM (I.B) D=16.75 H=2.31	1	
	77700-036110	TANK FLOATING COVER-NETAFIM D=16.75M	1	
	77700-040650	WELDED OUTLET 90-225 LINER-NET (I.B)	2*	
	77700-002485	ASSEMBLY SET FOR ONE CONICAL OUTLET EVP	2	
	77700-086060	BOTTOM P.SHEET-NETAFIM D=16.75M	1	
	<b>Accessories for Floating Covers</b>			
	75260-006200	PIPE PVC 63 GLUED 6	185m	
	77400-019900	PVC CAP 63 GLUE	18	
	77400-003800	PVC SOCKET 63 MM GLUE	5	
	77100-004300	BLACK BAND 368*5-100UNITS	2	
	76900-001000	WELD-ON CEMENT 717LOW VOC PVC PL.P 1000G	1	
	76900-001100	WELD-ON PRIMER P68LOW VOC PVC PL. P1000G	1	
<b>NetaTank 677m<sup>3</sup></b> (D16.75 X H3.07)  Including floating cover	77700-016250	STEEL TANK EVP-SP 677M3 D=16.75 H=3.07	1	
	77700-028456	WALL P.SHEET-NETAFIM D=16.75M	1	
	77700-041200	LINER-NETAFIM (I.B) D=16.75 H=3.07	1	
	77700-036110	TANK FLOATING COVER-NETAFIM D=16.75M	1	
	77700-040650	WELDED OUTLET 90-225 LINER-NET (I.B)	2*	
	77700-002485	ASSEMBLY SET FOR ONE CONICAL OUTLET EVP	2	
	77700-086060	BOTTOM P.SHEET-NETAFIM D=16.75M	1	
	<b>Accessories for Floating Covers</b>			
	75260-006200	PIPE PVC 63 GLUED 6	185m	
	77400-019900	PVC CAP 63 GLUE	18	
	77400-003800	PVC SOCKET 63 MM GLUE	5	
	77100-004300	BLACK BAND 368*5-100UNITS	2	
	76900-001000	WELD-ON CEMENT 717LOW VOC PVC PL.P 1000G	1	
	76900-001100	WELD-ON PRIMER P68LOW VOC PVC PL. P1000G	1	

\* When ordering, please attach the liner ordering form as described in page 68

\*\* For any additional accessories such as tank filling inlets, outlets, over-flow, etc. demonstrated in page 72. please contact Netafim representative

→ Water Tanks with Floating Cover

Water Tanks Description	Catalog Numbers	Item Descriptions	Units/Tank	
<b>NetaTank 844m<sup>3</sup></b> (D16.75 X H3.83)  Including floating cover	77700-016260	STEEL TANK EVP-SP 844M3 D=16.75 H=3.83	1	
	77700-028456	WALL P.SHEET-NETAFIM D=16.75M	1	
	77700-041201	LINER-NETAFIM (I.B) D=16.75 H=3.83	1	
	77700-036110	TANK FLOATING COVER-NETAFIM D=16.75M	1	
	77700-040650	WELDED OUTLET 90-225 LINER-NET (I.B)	2*	
	77700-002485	ASSEMBLY SET FOR ONE CONICAL OUTLET EVP	2	
	77700-086060	BOTTOM P.SHEET-NETAFIM D=16.75M	1	
	<b>Accessories for Floating Covers</b>			
	75260-006200	PIPE PVC 63 GLUED 6	185m	
	77400-019900	PVC CAP 63 GLUE	18	
	77400-003800	PVC SOCKET 63 MM GLUE	5	
	77100-004300	BLACK BAND 368*5-100UNITS	2	
	76900-001000	WELD-ON CEMENT 717LOW VOC PVC PL.P 1000G	1	
	76900-001100	WELD-ON PRIMER P68LOW VOC PVC PL. P1000G	1	
<b>NetaTank 1012m<sup>3</sup></b> (D16.75 X H4.59)  Including floating cover	77700-016408	STEEL TANK EVP-SP 1012M3 D=16.75 H=4.59	1	
	77700-028456	WALL P.SHEET-NETAFIM D=16.75M	1	
	77700-040574	LINER-NETAFIM- (I.B) D=16.75 H=4.59	1	
	77700-036110	TANK FLOATING COVER-NETAFIM D=16.75M	1	
	77700-040650	WELDED OUTLET 90-225 LINER-NET (I.B)	1	
	77700-002485	ASSEMBLY SET FOR ONE CONICAL OUTLET EVP	2	
	77700-086060	BOTTOM P.SHEET-NETAFIM D=16.75M	1	
	<b>Accessories for Floating Covers</b>			
	75260-006200	PIPE PVC 63 GLUED 6	185m	
	77400-019900	PVC CAP 63 GLUE	18	
	77400-003800	PVC SOCKET 63 MM GLUE	5	
	77100-004300	BLACK BAND 368*5-100UNITS	2	
	76900-001000	WELD-ON CEMENT 717LOW VOC PVC PL.P 1000G	1	
	76900-001100	WELD-ON PRIMER P68LOW VOC PVC PL. P1000G	1	
<b>NetaTank 550m<sup>3</sup></b> (D17.42 X H2.31)  Including floating cover	77700-016300	STEEL TANK EVP-SP 550M3 D=17.42 H=2.31	1	
	77700-028457	WALL P.SHEET-NETAFIM D=17.42M	1	
	77700-041220	LINER-NETAFIM (I.B) D=17.42 H=2.31	1	
	77700-036210	TANK FLOATING COVER-NETAFIM D=17.42M	1	
	77700-040650	WELDED OUTLET 90-225 LINER-NET (I.B)	2*	
	77700-002485	ASSEMBLY SET FOR ONE CONICAL OUTLET EVP	2	
	77700-086070	BOTTOM P.SHEET-NETAFIM D=17.42M	1	
	<b>Accessories for Floating Covers</b>			
	75260-006200	PIPE PVC 63 GLUED 6	198m	
	77400-019900	PVC CAP 63 GLUE	18	
	77400-003800	PVC SOCKET 63 MM GLUE	5	
	77100-004300	BLACK BAND 368*5-100UNITS	2	
	76900-001000	WELD-ON CEMENT 717LOW VOC PVC PL.P 1000G	1	
	76900-001100	WELD-ON PRIMER P68LOW VOC PVC PL. P1000G	1	

\* When ordering, please attach the liner ordering form as described in page 68

\*\* For any additional accessories such as tank filling inlets, outlets, over-flow, etc. demonstrated in page 72. please contact Netafim representative

→ Water Tanks with Floating Cover

Water Tanks Description	Catalog Numbers	Item Descriptions	Units/Tank	
<b>NetaTank 723m<sup>3</sup></b> (D17.42 X H3.07)  Including floating cover	77700-016310	STEEL TANK EVP-SP 732M3 D=17.42 H=3.07	1	
	77700-028457	WALL P.SHEET-NETAFIM D=17.42M	1	
	77700-041240	LINER-NETAFIM (I.B) D=17.42 H=3.07	1	
	77700-036210	TANK FLOATING COVER-NETAFIM D=17.42M	1	
	77700-040650	WELDED OUTLET 90-225 LINER-NET (I.B)	2*	
	77700-002485	ASSEMBLY SET FOR ONE CONICAL OUTLET EVP	2	
	77700-086070	BOTTOM P.SHEET-NETAFIM D=17.42M	1	
	<b>Accessories for Floating Covers</b>			
	75260-006200	PIPE PVC 63 GLUED 6	198m	
	77400-019900	PVC CAP 63 GLUE	18	
	77400-003800	PVC SOCKET 63 MM GLUE	5	
	77100-004300	BLACK BAND 368*5-100UNITS	2	
	76900-001000	WELD-ON CEMENT 717LOW VOC PVC PL.P 1000G	1	
76900-001100	WELD-ON PRIMER P68LOW VOC PVC PL. P1000G	1		
<b>NetaTank 913m<sup>3</sup></b> (D17.42 X H3.83)  Including floating cover	77700-016320	STEEL TANK EVP-SP 913M3 D=17.42 H=3.83	1	
	77700-028457	WALL P.SHEET-NETAFIM D=17.42M	1	
	77700-041445	LINER-NETAFIM (I.B) D=17.42 H=3.83	1	
	77700-036210	TANK FLOATING COVER-NETAFIM D=17.42M	1	
	77700-040650	WELDED OUTLET 90-225 LINER-NET (I.B)	2*	
	77700-002485	ASSEMBLY SET FOR ONE CONICAL OUTLET EVP	2	
	77700-086070	BOTTOM P.SHEET-NETAFIM D=17.42M	1	
	<b>Accessories for Floating Covers</b>			
	75260-006200	PIPE PVC 63 GLUED 6	198m	
	77400-019900	PVC CAP 63 GLUE	18	
	77400-003800	PVC SOCKET 63 MM GLUE	5	
	77100-004300	BLACK BAND 368*5-100UNITS	2	
	76900-001000	WELD-ON CEMENT 717LOW VOC PVC PL.P 1000G	1	
76900-001100	WELD-ON PRIMER P68LOW VOC PVC PL. P1000G	1		
<b>NetaTank 593m<sup>3</sup></b> (D18.09 X H2.31)  Including floating cover	77700-016350	STEEL TANK EVP-SP 593M3 D=18.09 H=2.31	1	
	77700-028458	WALL P.SHEET-NETAFIM D=18.09M	1	
	77700-041450	LINER-NETAFIM (I.B) D=18.09 H=2.31	1	
	77700-036310	TANK FLOATING COVER-NETAFIM D=18.09M	1	
	77700-040650	WELDED OUTLET 90-225 LINER-NET (I.B)	2*	
	77700-002485	ASSEMBLY SET FOR ONE CONICAL OUTLET EVP	2	
	77700-086090	BOTTOM P.SHEET-NETAFIM D=18.09M	1	
	<b>Accessories for Floating Covers</b>			
	75260-006200	PIPE PVC 63 GLUED 6	211m	
	77400-019900	PVC CAP 63 GLUE	19	
	77400-003800	PVC SOCKET 63 MM GLUE	5	
	77100-004300	BLACK BAND 368*5-100UNITS	2	
	76900-001000	WELD-ON CEMENT 717LOW VOC PVC PL.P 1000G	1	
76900-001100	WELD-ON PRIMER P68LOW VOC PVC PL. P1000G	1		

\* When ordering, please attach the liner ordering form as described in page 68

\*\* For any additional accessories such as tank filling inlets, outlets, over-flow, etc. demonstrated in page 72. please contact Netafim representative

→ Water Tanks with Floating Cover

Water Tanks Description	Catalog Numbers	Item Descriptions	Units/Tank	
<b>NetaTank 789m<sup>3</sup></b> (D18.09 X H3.07)  Including floating cover	77700-016360	STEEL TANK EVP-SP 789M3 D=18.09 H=3.07	1	
	77700-028458	WALL P.SHEET-NETAFIM D=18.09M	1	
	77700-041452	LINER-NETAFIM (I.B) D=18.09 H=3.07	1	
	77700-036310	TANK FLOATING COVER-NETAFIM D=18.09M	1	
	77700-040650	WELDED OUTLET 90-225 LINER-NET (I.B)	2*	
	77700-002485	ASSEMBLY SET FOR ONE CONICAL OUTLET EVP	2	
	77700-086090	BOTTOM P.SHEET-NETAFIM D=18.09M	1	
	<b>Accessories for Floating Covers</b>			
	75260-006200	PIPE PVC 63 GLUED 6	211m	
	77400-019900	PVC CAP 63 GLUE	19	
	77400-003800	PVC SOCKET 63 MM GLUE	5	
	77100-004300	BLACK BAND 368*5-100UNITS	2	
	76900-001000	WELD-ON CEMENT 717LOW VOC PVC PL.P 1000G	1	
76900-001100	WELD-ON PRIMER P68LOW VOC PVC PL. P1000G	1		
<b>NetaTank 985m<sup>3</sup></b> (D18.09 X H3.83)  Including floating cover	77700-016370	STEEL TANK EVP-SP 985M3 D=18.09 H=3.83	1	
	77700-028458	WALL P.SHEET-NETAFIM D=18.09M	1	
	77700-041460	LINER-NETAFIM (I.B) D=18.09 H=3.83	1	
	77700-036310	TANK FLOATING COVER-NETAFIM D=18.09M	1	
	77700-040650	WELDED OUTLET 90-225 LINER-NET (I.B)	2*	
	77700-002485	ASSEMBLY SET FOR ONE CONICAL OUTLET EVP	2	
	77700-086090	BOTTOM P.SHEET-NETAFIM D=18.09M	1	
	<b>Accessories for Floating Covers</b>			
	75260-006200	PIPE PVC 63 GLUED 6	211m	
	77400-019900	PVC CAP 63 GLUE	19	
	77400-003800	PVC SOCKET 63 MM GLUE	5	
	77100-004300	BLACK BAND 368*5-100UNITS	2	
	76900-001000	WELD-ON CEMENT 717LOW VOC PVC PL.P 1000G	1	
76900-001100	WELD-ON PRIMER P68LOW VOC PVC PL. P1000G	1		
<b>NetaTank 638m<sup>3</sup></b> (D18.76 X H2.31)  Including floating cover	77700-016400	STEEL TANK EVP-SP 638M3 D=18.76 H=2.31	1	
	77700-028550	WALL P.SHEET-NETAFIM D=18.76M	1	
	77700-041465	LINER-NETAFIM (I.B) D=18.76 H=2.31	1	
	77700-003934	TANK FLOATING COVER-NETAFIM D=18.76M	1	
	77700-040650	WELDED OUTLET 90-225 LINER-NET (I.B)	1	
	77700-002485	ASSEMBLY SET FOR ONE CONICAL OUTLET EVP	2	
	77700-086095	BOTTOM P.SHEET-NETAFIM D=18.76M	1	
	<b>Accessories for Floating Covers</b>			
	75260-006200	PIPE PVC 63 GLUED 6	225m	
	77400-019900	PVC CAP 63 GLUE	20	
	77400-003800	PVC SOCKET 63 MM GLUE	6	
	77100-004300	BLACK BAND 368*5-100UNITS	2	
	76900-001000	WELD-ON CEMENT 717LOW VOC PVC PL.P 1000G	1	
76900-001100	WELD-ON PRIMER P68LOW VOC PVC PL. P1000G	1		

\* When ordering, please attach the liner ordering form as described in page 68

\*\* For any additional accessories such as tank filling inlets, outlets, over-flow, etc. demonstrated in page 72. please contact Netafim representative

→ Water Tanks with Floating Cover

Water Tanks Description	Catalog Numbers	Item Descriptions	Units/Tank	
<b>NetaTank 849m<sup>3</sup></b> (D18.76 X H3.07)  Including floating cover	77700-016405	STEEL TANK EVP-SP 849M3 D=18.76 H=3.07	1	
	77700-028550	WALL P.SHEET-NETAFIM D=18.76M	1	
	77700-041466	LINER-NETAFIM (I.B) D=18.76 H=3.07	1	
	77700-003934	TANK FLOATING COVER-NETAFIM D=18.76M	1	
	77700-040650	WELDED OUTLET 90-225 LINER-NET (I.B)	2*	
	77700-002485	ASSEMBLY SET FOR ONE CONICAL OUTLET EVP	2	
		BOTTOM P.SHEET-NETAFIM D=18.76M	1	
	<b>Accessories for Floating Covers</b>			
	75260-006200	PIPE PVC 63 GLUED 6		225m
	77400-019900	PVC CAP 63 GLUE		20
	77400-003800	PVC SOCKET 63 MM GLUE		6
	77100-004300	BLACK BAND 368*5-100UNITS		2
	76900-001000	WELD-ON CEMENT 717LOW VOC PVC PL.P 1000G		1
76900-001100	WELD-ON PRIMER P68LOW VOC PVC PL. P1000G		1	
<b>NetaTank 1059m<sup>3</sup></b> (D18.76 X H3.83)  Including floating cover	77700-016410	STEEL TANK EVP-SP 1059M3 D=18.76 H=3.83	1	
	77700-028550	WALL P.SHEET-NETAFIM D=18.76M	1	
	77700-041467	LINER-NETAFIM (I.B) D=18.76 H=3.83	1	
	77700-003934	TANK FLOATING COVER-NETAFIM D=18.76M	1	
	77700-040650	WELDED OUTLET 90-225 LINER-NET (I.B)	2*	
	77700-002485	ASSEMBLY SET FOR ONE CONICAL OUTLET EVP	2	
	77700-086095	BOTTOM P.SHEET-NETAFIM D=18.76M	1	
	<b>Accessories for Floating Covers</b>			
	75260-006200	PIPE PVC 63 GLUED 6		225m
	77400-019900	PVC CAP 63 GLUE		20
	77400-003800	PVC SOCKET 63 MM GLUE		6
	77100-004300	BLACK BAND 368*5-100UNITS		2
	76900-001000	WELD-ON CEMENT 717LOW VOC PVC PL.P 1000G		1
76900-001100	WELD-ON PRIMER P68LOW VOC PVC PL. P1000G		1	
<b>NetaTank 684m<sup>3</sup></b> (D19.43 X H2.31)  Including floating cover	77700-016430	STEEL TANK EVP-SP 684M3 D=19.43 H=2.31	1	
	77700-028459	WALL P.SHEET-NETAFIM D=19.43M	1	
	77700-041470	LINER-NETAFIM (I.B) D=19.43 H=2.31	1	
	77700-036420	TANK FLOATING COVER-NETAFIM D=19.43M	1	
	77700-040650	WELDED OUTLET 90-225 LINER-NET (I.B)	2*	
	77700-002485	ASSEMBLY SET FOR ONE CONICAL OUTLET EVP	2	
	77700-086100	BOTTOM P.SHEET-NETAFIM D=19.43M	1	
	<b>Accessories for Floating Covers</b>			
	75260-006200	PIPE PVC 63 GLUED 6		240m
	77400-019900	PVC CAP 63 GLUE		20
	77400-003800	PVC SOCKET 63 MM GLUE		6
	77100-004300	BLACK BAND 368*5-100UNITS		2
	76900-001000	WELD-ON CEMENT 717LOW VOC PVC PL.P 1000G		1
76900-001100	WELD-ON PRIMER P68LOW VOC PVC PL. P1000G		1	

\* When ordering, please attach the liner ordering form as described in page 68

\*\* For any additional accessories such as tank filling inlets, outlets, over-flow, etc. demonstrated in page 72. please contact Netafim representative



→ Water Tanks with Floating Cover

Water Tanks Description	Catalog Numbers	Item Descriptions	Units/Tank	
<b>NetaTank 910m<sup>3</sup></b> (D19.43 X H3.07)  Including floating cover	77700-016435	STEEL TANK EVP-SP 910M3 D=19.43 H=3.07	1	
	77700-028459	WALL P.SHEET-NETAFIM D=19.43M	1	
	77700-041475	LINER-NETAFIM (I.B) D=19.43 H=3.07	1	
	77700-036420	TANK FLOATING COVER-NETAFIM D=19.43M	1	
	77700-040650	WELDED OUTLET 90-225 LINER-NET (I.B)	2*	
	77700-002485	ASSEMBLY SET FOR ONE CONICAL OUTLET EVP	2	
	77700-086100	BOTTOM P.SHEET-NETAFIM D=19.43M	1	
	<b>Accessories for Floating Covers</b>			
	75260-006200	PIPE PVC 63 GLUED 6	240m	
	77400-019900	PVC CAP 63 GLUE	20	
	77400-003800	PVC SOCKET 63 MM GLUE	6	
	77100-004300	BLACK BAND 368*5-100UNITS	2	
	76900-001000	WELD-ON CEMENT 717LOW VOC PVC PL.P 1000G	1	
	76900-001100	WELD-ON PRIMER P68LOW VOC PVC PL. P1000G	1	
<b>NetaTank 1136m<sup>3</sup></b> (D19.43 X H3.83)  Including floating cover	77700-016440	STEEL TANK EVP-SP 1136M3 D=19.43 H=3.83	1	
	77700-028459	WALL P.SHEET-NETAFIM D=19.43M	1	
	77700-041720	LINER-NETAFIM (I.B) D=19.43 H=3.83	1	
	77700-036420	TANK FLOATING COVER-NETAFIM D=19.43M	1	
	77700-040650	WELDED OUTLET 90-225 LINER-NET (I.B)	2*	
	77700-002485	ASSEMBLY SET FOR ONE CONICAL OUTLET EVP	2	
	77700-086100	BOTTOM P.SHEET-NETAFIM D=19.43M	1	
	<b>Accessories for Floating Covers</b>			
	75260-006200	PIPE PVC 63 GLUED 6	240m	
	77400-019900	PVC CAP 63 GLUE	20	
	77400-003800	PVC SOCKET 63 MM GLUE	6	
	77100-004300	BLACK BAND 368*5-100UNITS	2	
	76900-001000	WELD-ON CEMENT 717LOW VOC PVC PL.P 1000G	1	
	76900-001100	WELD-ON PRIMER P68LOW VOC PVC PL. P1000G	1	
<b>NetaTank 723m<sup>3</sup></b> (D20.10 X H2.31)  Including floating cover	77700-016460	STEEL TANK EVP-SP 732M3 D=20.1 H=2.31	1	
	77700-028460	WALL P.SHEET-NETAFIM D=20.1M	1	
	77700-041725	LINER-NETAFIM (I.B) D=20.1 H=2.31	1	
	77700-036421	TANK FLOATING COVER-NETAFIM D=20.1M	1	
	77700-040650	WELDED OUTLET 90-225 LINER-NET (I.B)	2*	
	77700-002485	ASSEMBLY SET FOR ONE CONICAL OUTLET EVP	2	
	77700-086120	BOTTOM P.SHEET-NETAFIM D=20.1M	1	
	<b>Accessories for Floating Covers</b>			
	75260-006200	PIPE PVC 63 GLUED 6	255m	
	77400-019900	PVC CAP 63 GLUE	21	
	77400-003800	PVC SOCKET 63 MM GLUE	6	
	77100-004300	BLACK BAND 368*5-100UNITS	2	
	76900-001000	WELD-ON CEMENT 717LOW VOC PVC PL.P 1000G	1	
	76900-001100	WELD-ON PRIMER P68LOW VOC PVC PL. P1000G	1	

\* When ordering, please attach the liner ordering form as described in page 68

\*\* For any additional accessories such as tank filling inlets, outlets, over-flow, etc. demonstrated in page 72. please contact Netafim representative

→ Water Tanks with Floating Cover

Water Tanks Description	Catalog Numbers	Item Descriptions	Units/Tank	
<b>NetaTank 974m<sup>3</sup></b> (D20.10 X H3.07)  Including floating cover	77700-016465	STEEL TANK EVP-SP 974M3 D=20.1 H=3.07	1	
	77700-028460	WALL P.SHEET-NETAFIM D=20.1M	1	
	77700-041730	LINER-NETAFIM (I.B) D=20.1 H=3.07	1	
	77700-036421	TANK FLOATING COVER-NETAFIM D=20.1M	1	
	77700-040650	WELDED OUTLET 90-225 LINER-NET (I.B)	1	
	77700-002485	ASSEMBLY SET FOR ONE CONICAL OUTLET EVP	2	
	77700-086120	BOTTOM P.SHEET-NETAFIM D=20.1M	1	
	<b>Accessories for Floating Covers</b>			
	75260-006200	PIPE PVC 63 GLUED 6	255m	
	77400-019900	PVC CAP 63 GLUE	21	
	77400-003800	PVC SOCKET 63 MM GLUE	6	
	77100-004300	BLACK BAND 368*5-100UNITS	2	
	76900-001000	WELD-ON CEMENT 717LOW VOC PVC PL.P 1000G	1	
	76900-001100	WELD-ON PRIMER P68LOW VOC PVC PL. P1000G	1	
<b>NetaTank 1216m<sup>3</sup></b> (D20.10 X H3.83)  Including floating cover	77700-016470	STEEL TANK EVP-SP 1216M3 D=20.1 H=3.83	1	
	77700-028460	WALL P.SHEET-NETAFIM D=20.1M	1	
	77700-041735	LINER-NETAFIM (I.B) D=20.1 H=3.83	1	
	77700-036421	TANK FLOATING COVER-NETAFIM D=20.1M	1	
	77700-040650	WELDED OUTLET 90-225 LINER-NET (I.B)	2*	
	77700-002485	ASSEMBLY SET FOR ONE CONICAL OUTLET EVP	2	
	77700-086120	BOTTOM P.SHEET-NETAFIM D=20.1M	1	
	<b>Accessories for Floating Covers</b>			
	75260-006200	PIPE PVC 63 GLUED 6	255m	
	77400-019900	PVC CAP 63 GLUE	21	
	77400-003800	PVC SOCKET 63 MM GLUE	6	
	77100-004300	BLACK BAND 368*5-100UNITS	2	
	76900-001000	WELD-ON CEMENT 717LOW VOC PVC PL.P 1000G	1	
	76900-001100	WELD-ON PRIMER P68LOW VOC PVC PL. P1000G	1	
<b>NetaTank 782m<sup>3</sup></b> (D20.77 X H2.31)  Including floating cover	77700-016490	STEEL TANK EVP-SP 782M3 D=20.77 H=2.31	1	
	77700-028560	WALL P.SHEET-NETAFIM D=20.77M	1	
	77700-042120	LINER-NETAFIM (I.B) D=20.77 H=2.31	1	
	77700-003946	TANK FLOATING COVER-NETAFIM D=20.77M	1	
	77700-040650	WELDED OUTLET 90-225 LINER-NET (I.B)	2*	
	77700-002485	ASSEMBLY SET FOR ONE CONICAL OUTLET EVP	2	
	77700-086140	BOTTOM P.SHEET-NETAFIM D=20.77M	1	
	<b>Accessories for Floating Covers</b>			
	75260-006200	PIPE PVC 63 GLUED 6	271m	
	77400-019900	PVC CAP 63 GLUE	22	
	77400-003800	PVC SOCKET 63 MM GLUE	6	
	77100-004300	BLACK BAND 368*5-100UNITS	2	
	76900-001000	WELD-ON CEMENT 717LOW VOC PVC PL.P 1000G	1	
	76900-001100	WELD-ON PRIMER P68LOW VOC PVC PL. P1000G	1	

\* When ordering, please attach the liner ordering form as described in page 68

\*\* For any additional accessories such as tank filling inlets, outlets, over-flow, etc. demonstrated in page 72. please contact Netafim representative

→ Water Tanks with Floating Cover

Water Tanks Description	Catalog Numbers	Item Descriptions	Units/Tank	
<b>NetaTank 1040m<sup>3</sup></b> (D20.77 X H3.07)  Including floating cover	77700-016495	STEEL TANK EVP-SP 1040M3 D=20.77 H=3.07	1	
	77700-028560	WALL P.SHEET-NETAFIM D=20.77M	1	
	77700-042125	LINER-NETAFIM (I.B) D=20.77 H=3.07	1	
	77700-003946	TANK FLOATING COVER-NETAFIM D=20.77M	1	
	77700-040650	WELDED OUTLET 90-225 LINER-NET (I.B)	2*	
	77700-002485	ASSEMBLY SET FOR ONE CONICAL OUTLET EVP	2	
	77700-086140	BOTTOM P.SHEET-NETAFIM D=20.77M	1	
	<b>Accessories for Floating Covers</b>			
	75260-006200	PIPE PVC 63 GLUED 6	271m	
	77400-019900	PVC CAP 63 GLUE	22	
	77400-003800	PVC SOCKET 63 MM GLUE	6	
	77100-004300	BLACK BAND 368*5-100UNITS	2	
	76900-001000	WELD-ON CEMENT 717LOW VOC PVC PL.P 1000G	1	
76900-001100	WELD-ON PRIMER P68LOW VOC PVC PL. P1000G	1		
<b>NetaTank 886m<sup>3</sup></b> (D22.11 X H2.31)  Including floating cover	77700-016530	STEEL TANK EVP-SP 886M3 D=22.11 H=2.31	1	
	77700-028530	WALL P.SHEET-NETAFIM D=22.11M	1	
	77700-042140	LINER-NETAFIM (I.B) D=22.11 H=2.31	1	
	77700-036423	TANK FLOATING COVER-NETAFIM D=22.11M	1	
	77700-040650	WELDED OUTLET 90-225 LINER-NET (I.B)	2*	
	77700-002485	ASSEMBLY SET FOR ONE CONICAL OUTLET EVP	2	
	77700-086145	BOTTOM P.SHEET-NETAFIM D=22.11M	1	
	<b>Accessories for Floating Covers</b>			
	75260-006200	PIPE PVC 63 GLUED 6	303m	
	77400-019900	PVC CAP 63 GLUE	23	
	77400-003800	PVC SOCKET 63 MM GLUE	6	
	77100-004300	BLACK BAND 368*5-100UNITS	2	
	76900-001000	WELD-ON CEMENT 717LOW VOC PVC PL.P 1000G	1	
76900-001100	WELD-ON PRIMER P68LOW VOC PVC PL. P1000G	1		
<b>NetaTank 1179m<sup>3</sup></b> (D22.11 X H3.07)  Including floating cover	77700-016535	STEEL TANK EVP-SP 1179M3 D=22.11 H=3.07	1	
	77700-028530	WALL P.SHEET-NETAFIM D=22.11M	1	
	77700-042150	LINER-NETAFIM (I.B) D=22.11 H=3.07	1	
	77700-036423	TANK FLOATING COVER-NETAFIM D=22.11M	1	
	77700-040650	WELDED OUTLET 90-225 LINER-NET (I.B)	2*	
	77700-002485	ASSEMBLY SET FOR ONE CONICAL OUTLET EVP	2	
	77700-086145	BOTTOM P.SHEET-NETAFIM D=22.11M	1	
	<b>Accessories for Floating Covers</b>			
	75260-006200	PIPE PVC 63 GLUED 6	303m	
	77400-019900	PVC CAP 63 GLUE	23	
	77400-003800	PVC SOCKET 63 MM GLUE	6	
	77100-004300	BLACK BAND 368*5-100UNITS	2	
	76900-001000	WELD-ON CEMENT 717LOW VOC PVC PL.P 1000G	1	
76900-001100	WELD-ON PRIMER P68LOW VOC PVC PL. P1000G	1		

\* When ordering, please attach the liner ordering form as described in page 68

\*\* For any additional accessories such as tank filling inlets, outlets, over-flow, etc. demonstrated in page 72. please contact Netafim representative

→ Water Tanks with Floating Cover

Water Tanks Description	Catalog Numbers	Item Descriptions	Units/Tank	
<b>NetaTank 941m<sup>3</sup></b> (D22.78 X H2.31)  Including floating cover	77700-016550	STEEL TANK EVP-SP 941M3 D=22.78 H=2.31	1	
	77700-028532	WALL P.SHEET-NETAFIM D=22.78M	1	
	77700-042165	LINER-NETAFIM (I.B) D=22.78 H=2.31	1	
	77700-036970	TANK FLOATING COVER-NETAFIM D=22.78M	1	
	77700-040650	WELDED OUTLET 90-225 LINER-NET (I.B)	2*	
	77700-002485	ASSEMBLY SET FOR ONE CONICAL OUTLET EVP	2	
	77700-086150	BOTTOM P.SHEET-NETAFIM D=22.78M	1	
	<b>Accessories for Floating Covers</b>			
	75260-006200	PIPE PVC 63 GLUED 6	320m	
	77400-019900	PVC CAP 63 GLUE	24	
	77400-003800	PVC SOCKET 63 MM GLUE	6	
	77100-004300	BLACK BAND 368*5-100UNITS	2	
	76900-001000	WELD-ON CEMENT 717LOW VOC PVC PL.P 1000G	1	
	76900-001100	WELD-ON PRIMER P68LOW VOC PVC PL. P1000G	1	
<b>NetaTank 1251m<sup>3</sup></b> (D22.78 X H3.07)  Including floating cover	77700-016555	STEEL TANK EVP-SP 1251M3 D=22.78 H=3.07	1	
	77700-028532	WALL P.SHEET-NETAFIM D=22.78M	1	
	77700-042175	LINER-NETAFIM (I.B) D=22.78 H=3.07	1	
	77700-036970	TANK FLOATING COVER-NETAFIM D=22.78M	1	
	77700-040650	WELDED OUTLET 90-225 LINER-NET (I.B)	2*	
	77700-002485	ASSEMBLY SET FOR ONE CONICAL OUTLET EVP	2	
	77700-086150	BOTTOM P.SHEET-NETAFIM D=22.78M	1	
	<b>Accessories for Floating Covers</b>			
	75260-006200	PIPE PVC 63 GLUED 6	320m	
	77400-019900	PVC CAP 63 GLUE	24	
	77400-003800	PVC SOCKET 63 MM GLUE	6	
	77100-004300	BLACK BAND 368*5-100UNITS	2	
	76900-001000	WELD-ON CEMENT 717LOW VOC PVC PL.P 1000G	1	
	76900-001100	WELD-ON PRIMER P68LOW VOC PVC PL. P1000G	1	
<b>NetaTank 997m<sup>3</sup></b> (D23.45 X H2.31)  Including floating cover	77700-016570	STEEL TANK EVP-SP 997M3 D=23.45 H=2.31	1	
	77700-028533	WALL P.SHEET-NETAFIM D=23.45M	1	
	77700-042156	LINER-NETAFIM (I.B) D=23.45 H=2.31	1	
	77700-036972	TANK FLOATING COVER-NETAFIM D=23.45M	1	
	77700-040650	WELDED OUTLET 90-225 LINER-NET (I.B)	2*	
	77700-002485	ASSEMBLY SET FOR ONE CONICAL OUTLET EVP	2	
	77700-086160	BOTTOM P.SHEET-NETAFIM D=23.45M	1	
	<b>Accessories for Floating Covers</b>			
	75260-006200	PIPE PVC 63 GLUED 6	337m	
	77400-019900	PVC CAP 63 GLUE	24	
	77400-003800	PVC SOCKET 63 MM GLUE	6	
	77100-004300	BLACK BAND 368*5-100UNITS	2	
	76900-001000	WELD-ON CEMENT 717LOW VOC PVC PL.P 1000G	2	
	76900-001100	WELD-ON PRIMER P68LOW VOC PVC PL. P1000G	2	

\* When ordering, please attach the liner ordering form as described in page 68

\*\* For any additional accessories such as tank filling inlets, outlets, over-flow, etc. demonstrated in page 72. please contact Netafim representative

→ Water Tanks with Floating Cover

Water Tanks Description	Catalog Numbers	Item Descriptions	Units/Tank	
<b>NetaTank 1326m<sup>3</sup></b> (D23.45 X H3.07)  Including floating cover	77700-016575	STEEL TANK EVP-SP 1326M3 D=23.45 H=3.07	1	
	77700-028533	WALL P.SHEET-NETAFIM D=23.45M	1	
	77700-002351	LINER-NETAFIM (I.B) D=23.45 H=3.07	1	
	77700-036972	TANK FLOATING COVER-NETAFIM D=23.45M	1	
	77700-040650	WELDED OUTLET 90-225 LINER-NET (I.B)	2*	
	77700-002485	ASSEMBLY SET FOR ONE CONICAL OUTLET EVP	2	
	77700-086160	BOTTOM P.SHEET-NETAFIM D=23.45M	1	
	<b>Accessories for Floating Covers</b>			
	75260-006200	PIPE PVC 63 GLUED 6	337m	
	77400-019900	PVC CAP 63 GLUE	24	
	77400-003800	PVC SOCKET 63 MM GLUE	6	
	77100-004300	BLACK BAND 368*5-100UNITS	2	
	76900-001000	WELD-ON CEMENT 717LOW VOC PVC PL.P 1000G	2	
	76900-001100	WELD-ON PRIMER P68LOW VOC PVC PL. P1000G	2	
<b>NetaTank 1054m<sup>3</sup></b> (D24.12 X H2.31)  Including floating cover	77700-016590	STEEL TANK EVP-SP 1054M3 D=24.12 H=2.31	1	
	77700-028534	WALL P.SHEET-NETAFIM D=24.12M	1	
	77700-042157	LINER-NETAFIM (I.B) D=24.12 H=2.31	1	
	77700-036975	TANK FLOATING COVER-NETAFIM D=24.12M	1	
	77700-040650	WELDED OUTLET 90-225 LINER-NET (I.B)	2*	
	77700-002485	ASSEMBLY SET FOR ONE CONICAL OUTLET EVP	2	
	77700-086170	BOTTOM P.SHEET-NETAFIM D=24.12M	1	
	<b>Accessories for Floating Covers</b>			
	75260-006200	PIPE PVC 63 GLUED 6	355m	
	77400-019900	PVC CAP 63 GLUE	25	
	77400-003800	PVC SOCKET 63 MM GLUE	6	
	77100-004300	BLACK BAND 368*5-100UNITS	2	
	76900-001000	WELD-ON CEMENT 717LOW VOC PVC PL.P 1000G	2	
	76900-001100	WELD-ON PRIMER P68LOW VOC PVC PL. P1000G	2	
<b>NetaTank 1403m<sup>3</sup></b> (D24.12 X H3.07)  Including floating cover	77700-016595	STEEL TANK EVP-SP 1403M3 D=24.12 H=3.07	1	
	77700-028534	WALL P.SHEET-NETAFIM D=24.12M	1	
	77700-042232	LINER-NETAFIM (I.B) D=24.12 H=3.07	1	
	77700-036975	TANK FLOATING COVER-NETAFIM D=24.12M	1	
	77700-040650	WELDED OUTLET 90-225 LINER-NET (I.B)	2*	
	77700-002485	ASSEMBLY SET FOR ONE CONICAL OUTLET EVP	2	
	77700-086170	BOTTOM P.SHEET-NETAFIM D=24.12M	1	
	<b>Accessories for Floating Covers</b>			
	75260-006200	PIPE PVC 63 GLUED 6	355m	
	77400-019900	PVC CAP 63 GLUE	25	
	77400-003800	PVC SOCKET 63 MM GLUE	6	
	77100-004300	BLACK BAND 368*5-100UNITS	2	
	76900-001000	WELD-ON CEMENT 717LOW VOC PVC PL.P 1000G	2	
	76900-001100	WELD-ON PRIMER P68LOW VOC PVC PL. P1000G	2	

\* When ordering, please attach the liner ordering form as described in page 68

\*\* For any additional accessories such as tank filling inlets, outlets, over-flow, etc. demonstrated in page 72. please contact Netafim representative

→ Water Tanks with Floating Cover

Water Tanks Description	Catalog Numbers	Item Descriptions	Units/Tank	
<b>NetaTank 1114m<sup>3</sup></b> (D24.79 X H2.31)  Including floating cover	77700-016610	STEEL TANK EVP-SP 1114M3 D=24.79 H=2.31	1	
	77700-028565	WALL P.SHEET-NETAFIM D=24.79M	1	
	77700-042158	LINER-NETAFIM (I.B) D=24.79 H=2.31	1	
	77700-003982	TANK FLOATING COVER-NETAFIM D=24.79M	1	
	77700-040650	WELDED OUTLET 90-225 LINER-NET (I.B)	2*	
	77700-002485	ASSEMBLY SET FOR ONE CONICAL OUTLET EVP	2	
	77700-086175	BOTTOM P.SHEET-NETAFIM D=24.79M	1	
	<b>Accessories for Floating Covers</b>			
	75260-006200	PIPE PVC 63 GLUED 6	373M	
	77400-019900	PVC CAP 63 GLUE	26	
	77400-003800	PVC SOCKET 63 MM GLUE	6	
	77100-004300	BLACK BAND 368*5-100UNITS	2	
	76900-001000	WELD-ON CEMENT 717LOW VOC PVC PL.P 1000G	2	
	76900-001100	WELD-ON PRIMER P68LOW VOC PVC PL. P1000G	2	
<b>NetaTank 1482m<sup>3</sup></b> (D24.79 X H3.07)  Including floating cover	77700-016615	STEEL TANK EVP-SP 1482M3 D=24.79 H=3.07	1	
	77700-028565	WALL P.SHEET-NETAFIM D=24.79M	1	
	77700-042159	LINER-NETAFIM (I.B) D=24.79 H=3.07	1	
	77700-003982	TANK FLOATING COVER-NETAFIM D=24.79M	1	
	77700-040650	WELDED OUTLET 90-225 LINER-NET (I.B)	2*	
	77700-002485	ASSEMBLY SET FOR ONE CONICAL OUTLET EVP	2	
	77700-086175	BOTTOM P.SHEET-NETAFIM D=24.79M	1	
	<b>Accessories for Floating Covers</b>			
	75260-006200	PIPE PVC 63 GLUED 6	373M	
	77400-019900	PVC CAP 63 GLUE	26	
	77400-003800	PVC SOCKET 63 MM GLUE	6	
	77100-004300	BLACK BAND 368*5-100UNITS	2	
	76900-001000	WELD-ON CEMENT 717LOW VOC PVC PL.P 1000G	2	
	76900-001100	WELD-ON PRIMER P68LOW VOC PVC PL. P1000G	2	
<b>NetaTank 1175m<sup>3</sup></b> (D25.46 X H2.31)  Including floating cover	77700-016635	STEEL TANK EVP-SP 1175M3 D=25.46 H=2.31	1	
	77700-028535	WALL P.SHEET-NETAFIM D=25.46M	1	
	77700-042176	LINER-NETAFIM (I.B) D=25.46 H=2.31	1	
	77700-036978	TANK FLOATING COVER-NETAFIM D=25.46M	1	
	77700-040650	WELDED OUTLET 90-225 LINER-NET (I.B)	2*	
	77700-002485	ASSEMBLY SET FOR ONE CONICAL OUTLET EVP	2	
	77700-086180	BOTTOM P.SHEET-NETAFIM D=25.46M	1	
	<b>Accessories for Floating Covers</b>			
	75260-006200	PIPE PVC 63 GLUED 6	391m	
	77400-019900	PVC CAP 63 GLUE	26	
	77400-003800	PVC SOCKET 63 MM GLUE	7	
	77100-004300	BLACK BAND 368*5-100UNITS	2	
	76900-001000	WELD-ON CEMENT 717LOW VOC PVC PL.P 1000G	2	
	76900-001100	WELD-ON PRIMER P68LOW VOC PVC PL. P1000G	2	

\* When ordering, please attach the liner ordering form as described in page 68

\*\* For any additional accessories such as tank filling inlets, outlets, over-flow, etc. demonstrated in page 72. please contact Netafim representative

→ Water Tanks with Floating Cover

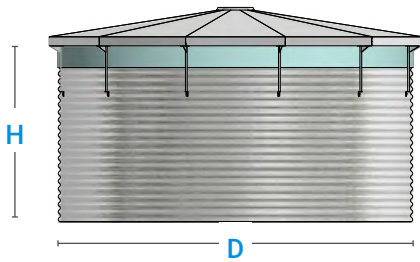
Water Tanks Description	Catalog Numbers	Item Descriptions	Units/Tank	
<b>NetaTank 1302m<sup>3</sup></b> (D26.80 X H2.31)  Including floating cover	77700-016690	STEEL TANK EVP-SP 1302M3 D=26.8 H=2.31	1	
	77700-028536	WALL P.SHEET-NETAFIM D=26.8M	1	
	77700-042177	LINER-NETAFIM (I.B) D=26.8 H=2.31	1	
	77700-003984	TANK FLOATING COVER-NETAFIM D=26.8M	1	
	77700-040650	WELDED OUTLET 90-225 LINER-NET (I.B)	2*	
	77700-002485	ASSEMBLY SET FOR ONE CONICAL OUTLET EVP	2	
	77700-086185	BOTTOM P.SHEET-NETAFIM D=26.8M	1	
	<b>Accessories for Floating Covers</b>			
	75260-006200	PIPE PVC 63 GLUED 6	430m	
	77400-019900	PVC CAP 63 GLUE	28	
	77400-003800	PVC SOCKET 63 MM GLUE	7	
	77100-004300	BLACK BAND 368*5-100UNITS	2	
	76900-001000	WELD-ON CEMENT 717LOW VOC PVC PL.P 1000G	2	
	76900-001100	WELD-ON PRIMER P68LOW VOC PVC PL. P1000G	2	
<b>NetaTank 1435m<sup>3</sup></b> (D28.14 X H2.31)  Including floating cover	77700-016740	STEEL TANK EVP-SP 1435M3 D=28.14 H=2.31	1	
	77700-028538	WALL P.SHEET-NETAFIM D=28.14M	1	
	77700-042179	LINER-NETAFIM (I.B) D=28.81 H=2.31	1	
	77700-003986	TANK FLOATING COVER-NETAFIM D=28.14M	1	
	77700-040650	WELDED OUTLET 90-225 LINER-NET (I.B)	2*	
	77700-002485	ASSEMBLY SET FOR ONE CONICAL OUTLET EVP	2	
	77700-086205	BOTTOM P.SHEET-NETAFIM D=28.14M	1	
	<b>Accessories for Floating Covers</b>			
	75260-006200	PIPE PVC 63 GLUED 6	470m	
	77400-019900	PVC CAP 63 GLUE	29	
	77400-003800	PVC SOCKET 63 MM GLUE	7	
	77100-004300	BLACK BAND 368*5-100UNITS	2	
	76900-001000	WELD-ON CEMENT 717LOW VOC PVC PL.P 1000G	2	
	76900-001100	WELD-ON PRIMER P68LOW VOC PVC PL. P1000G	2	
<b>NetaTank 1575m<sup>3</sup></b> (D29.48 X H2.31)  Including floating cover	77700-016800	STEEL TANK EVP-SP 1575M3 D=29.48 H=2.31	1	
	77700-028539	WALL P.SHEET-NETAFIM D=29.48M	1	
	77700-042181	LINER-NETAFIM (I.B) D=29.48 H=2.31	1	
	77700-003991	TANK FLOATING COVER-NETAFIM D=29.48M	1	
	77700-040650	WELDED OUTLET 90-225 LINER-NET (I.B)	2*	
	77700-002485	ASSEMBLY SET FOR ONE CONICAL OUTLET EVP	2	
	77700-086211	BOTTOM P.SHEET-NETAFIM D=29.48M	1	
	<b>Accessories for Floating Covers</b>			
	75260-006200	PIPE PVC 63 GLUED 6	512m	
	77400-019900	PVC CAP 63 GLUE	30	
	77400-003800	PVC SOCKET 63 MM GLUE	7	
	77100-004300	BLACK BAND 368*5-100UNITS	2	
	76900-001000	WELD-ON CEMENT 717LOW VOC PVC PL.P 1000G	2	
	76900-001100	WELD-ON PRIMER P68LOW VOC PVC PL. P1000G	2	

\* When ordering, please attach the liner ordering form as described in page 68

\*\* For any additional accessories such as tank filling inlets, outlets, over-flow, etc. demonstrated in page 72. please contact Netafim representative

# Metal Cover Water Tanks

The below catalog numbers include all the necessary components – metal tanks, liners, cover (as described) and all the required accessories for ideal installation.



Built to last



High end



All conditions

## → Tanks - Corugated Galvanized Steel Plates

- ✓ Short panels length: 2.11m/6.92ft
- ✓ Galvanization: Magizinc - Equivalent to Z600 galvanized steel. (Bottom coating epoxy optional)

## → Water Tanks with Metal Cover

Water Tanks Description	Catalog Numbers	Item Descriptions	Units/Tank
<b>NetaTank 17m<sup>3</sup></b> (D2.68 X H3.07) Including metal cover	77700-000026	TANK EVP-SP 17M3 D=2.68 H=3.07+M.ROOF	1
	77700-028310	WALL P.SHEET-NETAFIM D=2.68M 10	1
	77700-038700	LINER-NETAFIM (I.B) D=2.68 H=3.07	1
	77700-040650	WELDED OUTLET 90-225 LINER-NET (I.B)	1
	77700-002485	ASSEMBLY SET FOR ONE CONICAL OUTLET EVP	1
	77700-086110	BOTTOM P.SHEET-NETAFIM D=2.68 (2)	1
<b>NetaTank 21m<sup>3</sup></b> (D2.68 X H3.83) Including metal cover	77700-000027	TANK EVP-SP 21M3 D=2.68 H=3.83+M.ROOF	1
	77700-028310	WALL P.SHEET-NETAFIM D=2.68M 10	1
	77700-038710	LINER-NETAFIM (I.B) D=2.68 H=3.83	1
	77700-040650	WELDED OUTLET 90-225 LINER-NET (I.B)	1
	77700-002485	ASSEMBLY SET FOR ONE CONICAL OUTLET EVP	1
	77700-086110	BOTTOM P.SHEET-NETAFIM D=2.68 (2)	1
<b>NetaTank 26m<sup>3</sup></b> (D2.68 X H4.59) Including metal cover	77700-000028	TANK EVP-SP 26M3 D=2.68 H=4.59+M.ROOF	1
	77700-028310	WALL P.SHEET-NETAFIM D=2.68M 10	1
	77700-038712	LINER-NETAFIM (I.B) D=2.68 H=4.59	1
	77700-040650	WELDED OUTLET 90-225 LINER-NET (I.B)	1
	77700-002485	ASSEMBLY SET FOR ONE CONICAL OUTLET EVP	1
	77700-086110	BOTTOM P.SHEET-NETAFIM D=2.68 (2)	1

\* When ordering, please attach the liner ordering form as described in page 68

\*\* For any additional accessories such as tank filling inlets, outlets, over-flow, etc. demonstrated in page 72. please contact Netafim representative



→ Water Tanks with Metal Cover

Water Tanks Description	Catalog Numbers	Item Descriptions	Units/Tank
<b>NetaTank 33m<sup>3</sup></b> (D3.35 X H3.83) Including metal cover	77700-000030	TANK EVP-SP 33M3 D=3.35 H=3.83+M.ROOF	1
	77700-028320	WALL P.SHEET-NETAFIM D=3.35M 12	1
	77700-038740	LINER-NETAFIM (I.B) D=3.35 H=3.83	1
	77700-040650	WELDED OUTLET 90-225 LINER-NET (I.B)	1
	77700-002485	ASSEMBLY SET FOR ONE CONICAL OUTLET EVP	1
	77700-086220	BOTTOM P.SHEET-NETAFIM D=3.35 (3)	1
<b>NetaTank 39m<sup>3</sup></b> (D4.02 X H3.07) Including metal cover	77700-000032	TANK EVP-SP 39M3 D=4.02 H=3.07+M.ROOF	1
	77700-028325	WALL P.SHEET-NETAFIM D=4.02M 15	1
	77700-038820	LINER-NETAFIM (I.B) D=4.02 H=3.07	1
	77700-040650	WELDED OUTLET 90-225 LINER-NET (I.B)	1
	77700-002485	ASSEMBLY SET FOR ONE CONICAL OUTLET EVP	1
	77700-086230	BOTTOM P.SHEET-NETAFIM D=4.02 (4)	1
<b>NetaTank 53m<sup>3</sup></b> (D4.69 X H3.07) Including metal cover	77700-000035	TANK EVP-SP 53M3 D=4.69 H=3.07+M.ROOF	1
	77700-028330	WALL P.SHEET-NETAFIM D=4.69M 17	1
	77700-040041	LINER-NETAFIM (I.B) D=4.69 H=3.07	1
	77700-040650	WELDED OUTLET 90-225 LINER-NET (I.B)	1
	77700-002485	ASSEMBLY SET FOR ONE CONICAL OUTLET EVP	1
	77700-086240	BOTTOM P.SHEET-NETAFIM D=4.69 (5)	1
<b>NetaTank 66m<sup>3</sup></b> (D4.69 X H3.83) Including metal cover	77700-000036	TANK EVP-SP 66M3 D=4.69 H=3.83+M.ROOF	1
	77700-028330	WALL P.SHEET-NETAFIM D=4.69M 17	1
	77700-040042	LINER-NETAFIM (I.B) D=4.69 H=3.83	1
	77700-040650	WELDED OUTLET 90-225 LINER-NET (I.B)	1
	77700-002485	ASSEMBLY SET FOR ONE CONICAL OUTLET EVP	1
	77700-086240	BOTTOM P.SHEET-NETAFIM D=4.69 (5)	1
<b>NetaTank 79m<sup>3</sup></b> (D4.69 X H4.59) Including metal cover	77700-000037	TANK EVP-SP 79M3 D=4.69 H=4.59+M.ROOF	1
	77700-028330	WALL P.SHEET-NETAFIM D=4.69M 17	1
	No Sap Code	LINER-NETAFIM (I.B) D=4.69 H=4.59	1
	77700-040650	WELDED OUTLET 90-225 LINER-NET (I.B)	1
	77700-002485	ASSEMBLY SET FOR ONE CONICAL OUTLET EVP	1
	77700-086240	BOTTOM P.SHEET-NETAFIM D=4.69 (5)	1
<b>NetaTank 86m<sup>3</sup></b> (D5.36 X H3.83) Including metal cover	77700-000039	TANK EVP-SP 86M3 D=5.36 H=3.83+M.ROOF	1
	77700-028340	WALL P.SHEET-NETAFIM D=5.36M 19	1
	77700-040155	LINER-NETAFIM (I.B) D=5.36 H=3.83	1
	77700-040650	WELDED OUTLET 90-225 LINER-NET (I.B)	1
	77700-002485	ASSEMBLY SET FOR ONE CONICAL OUTLET EVP	1
	77700-086250	BOTTOM P.SHEET-NETAFIM D=5.36 (6)	1
<b>NetaTank 87m<sup>3</sup></b> (D6.03 X H3.07) Including metal cover	77700-000041	TANK EVP-SP 87M3 D=6.03 H=3.07+M.ROOF	1
	77700-028345	WALL P.SHEET-NETAFIM D=6.03M 22	1
	77700-040166	LINER-NETAFIM (I.B) D=6.03 H=3.07	1
	77700-040650	WELDED OUTLET 90-225 LINER-NET (I.B)	1
	77700-002485	ASSEMBLY SET FOR ONE CONICAL OUTLET EVP	1
	77700-086260	BOTTOM P.SHEET-NETAFIM D=6.03 (7)	1
<b>NetaTank 104m<sup>3</sup></b> (D5.36 X H4.59) Including metal cover	77700-000040	TANK EVP-SP 104M3 D=5.36 H=4.59+M.ROOF	1
	77700-028340	WALL P.SHEET-NETAFIM D=5.36M 19	1
	77700-040156	LINER-NETAFIM (I.B) D=5.36 H=4.59	1
	77700-040650	WELDED OUTLET 90-225 LINER-NET (I.B)	1
	77700-002485	ASSEMBLY SET FOR ONE CONICAL OUTLET EVP	1
	77700-086250	BOTTOM P.SHEET-NETAFIM D=5.36 (6)	1

\* When ordering, please attach the liner ordering form as described in page 68

\*\* For any additional accessories such as tank filling inlets, outlets, over-flow, etc. demonstrated in page 72. please contact Netafim representative

→ Water Tanks with Metal Cover

Water Tanks Description	Catalog Numbers	Item Descriptions	Units/Tank
<b>NetaTank 109m<sup>3</sup></b> (D6.03 X H3.83) Including metal cover	77700-000042	TANK EVP-SP 109M3 D=6.03 H=3.83+M.ROOF	1
	77700-028345	WALL P.SHEET-NETAFIM D=6.03M 22	1
	77700-040167	LINER-NETAFIM (I.B) D=6.03 H=3.83	1
	77700-040650	WELDED OUTLET 90-225 LINER-NET (I.B)	1
	77700-002485	ASSEMBLY SET FOR ONE CONICAL OUTLET EVP	1
	77700-086260	BOTTOM P.SHEET-NETAFIM D=6.03 (7)	1
<b>NetaTank 131m<sup>3</sup></b> (D7.37 X H3.07) Including metal cover	77700-000046	TANK EVP-SP 131M3 D=7.37 H=3.07+M.ROOF	1
	77700-028360	WALL P.SHEET-NETAFIM D=7.37M 25	1
	77700-040204	LINER-NETAFIM (I.B) D=7.37 H=3.07	1
	77700-040650	WELDED OUTLET 90-225 LINER-NET (I.B)	1
	77700-002485	ASSEMBLY SET FOR ONE CONICAL OUTLET EVP	1
	77700-086267	BOTTOM P.SHEET-NETAFIM D=7.37 (11)	1
<b>NetaTank 135m<sup>3</sup></b> (D6.70 X H3.83) Including metal cover	77700-000025	TANK EVP-SP 135M3 D=6.70 H=3.83+M.ROOF	1
	77700-028346	WALL P.SHEET-NETAFIM D=6.7M 24	1
	77700-040192	LINER-NETAFIM (I.B) D=6.7 H=3.83	1
	77700-040650	WELDED OUTLET 90-225 LINER-NET (I.B)	1
	77700-002485	ASSEMBLY SET FOR ONE CONICAL OUTLET EVP	1
	77700-086265	BOTTOM P.SHEET-NETAFIM D=6.7 (9)	1
<b>NetaTank 156m<sup>3</sup></b> (D8.04 X H3.07) Including metal cover	77700-000049	TANK EVP-SP 156M3 D=8.04 H=3.07+M.ROOF	1
	77700-028365	WALL P.SHEET-NETAFIM D=8.04M 28	1
	77700-040207	LINER-NETAFIM (I.B) D=8.04 H=3.07	1
	77700-040650	WELDED OUTLET 90-225 LINER-NET (I.B)	1
	77700-002485	ASSEMBLY SET FOR ONE CONICAL OUTLET EVP	1
	77700-086270	BOTTOM P.SHEET-NETAFIM D=8.04 (13)	1
<b>NetaTank 162m<sup>3</sup></b> (D6.70 X H4.59) Including metal cover	77700-000045	TANK EVP-SP 162M3 D=6.70 H=4.59+M.ROOF	1
	77700-028346	WALL P.SHEET-NETAFIM D=6.7M 24	1
	77700-040195	LINER-NETAFIM (I.B) D=6.7 H=4.59	1
	77700-040650	WELDED OUTLET 90-225 LINER-NET (I.B)	1
	77700-002485	ASSEMBLY SET FOR ONE CONICAL OUTLET EVP	1
	77700-086265	BOTTOM P.SHEET-NETAFIM D=6.7 (9)	1
<b>NetaTank 164m<sup>3</sup></b> (D7.37 X H3.83) Including metal cover	77700-000047	TANK EVP-SP 164M3 D=7.37 H=3.83+M.ROOF	1
	77700-028360	WALL P.SHEET-NETAFIM D=7.37M 25	1
	77700-040205	LINER-NETAFIM (I.B) D=7.37 H=3.83	1
	77700-040650	WELDED OUTLET 90-225 LINER-NET (I.B)	1
	77700-002485	ASSEMBLY SET FOR ONE CONICAL OUTLET EVP	1
	77700-086267	BOTTOM P.SHEET-NETAFIM D=7.37 (11)	1
<b>NetaTank 183m<sup>3</sup></b> (D8.71 X H3.07) Including metal cover	77700-000052	TANK EVP-SP 183M3 D=8.71 H=3.07+M.ROOF	1
	77700-028367	WALL P.SHEET-NETAFIM D=8.71M 30	1
	77700-040311	LINER-NETAFIM (I.B) D=8.71 H=3.07	1
	77700-040650	WELDED OUTLET 90-225 LINER-NET (I.B)	1
	77700-002485	ASSEMBLY SET FOR ONE CONICAL OUTLET EVP	1
	77700-086275	BOTTOM P.SHEET-NETAFIM D=8.71 (15)	1
<b>NetaTank 195m<sup>3</sup></b> (D8.04 X H3.83) Including metal cover	77700-000050	TANK EVP-SP 195M3 D=8.04 H=3.83+M.ROOF	1
	77700-028365	WALL P.SHEET-NETAFIM D=8.04M 28	1
	77700-040208	LINER-NETAFIM (I.B) D=8.04 H=3.83	1
	77700-040650	WELDED OUTLET 90-225 LINER-NET (I.B)	1
	77700-002485	ASSEMBLY SET FOR ONE CONICAL OUTLET EVP	1
	77700-086270	BOTTOM P.SHEET-NETAFIM D=8.04 (13)	1

\* When ordering, please attach the liner ordering form as described in page 68

\*\* For any additional accessories such as tank filling inlets, outlets, over-flow, etc. demonstrated in page 72. please contact Netafim representative

→ Water Tanks with Metal Cover

Water Tanks Description	Catalog Numbers	Item Descriptions	Units/Tank
<b>NetaTank 212m<sup>3</sup></b> (D9.38 X H3.07) Including metal cover	77700-000055	TANK EVP-SP 212M3 D=9.38 H=3.07+M.ROOF	1
	77700-028380	WALL P.SHEET-NETAFIM D=9.38M 33	1
	77700-040215	LINER-NETAFIM (I.B) D=9.38 H=3.07	1
	77700-040650	WELDED OUTLET 90-225 LINER-NET (I.B)	1
	77700-002485	ASSEMBLY SET FOR ONE CONICAL OUTLET EVP	1
	77700-086280	BOTTOM P.SHEET-NETAFIM D=9.38 (17)	1
<b>NetaTank 229m<sup>3</sup></b> (D8.71 X H3.83) Including metal cover	77700-000053	TANK EVP-SP 229M3 D=8.71 H=3.83+M.ROOF	1
	77700-028367	WALL P.SHEET-NETAFIM D=8.71M 30	1
	77700-040312	LINER-NETAFIM (I.B) D=8.71 H=3.83	1
	77700-040650	WELDED OUTLET 90-225 LINER-NET (I.B)	1
	77700-002485	ASSEMBLY SET FOR ONE CONICAL OUTLET EVP	1
	77700-086275	BOTTOM P.SHEET-NETAFIM D=8.71 (15)	1
<b>NetaTank 244m<sup>3</sup></b> (D10.05 X H3.07) Including metal cover	77700-000058	TANK EVP-SP 244M3 D=10.05 H=3.07+M.ROOF	1
	77700-028390	WALL P.SHEET-NETAFIM D=10.05M 33	1
	77700-040315	LINER-NETAFIM (I.B) D=10.05 H=3.07	1
	77700-040650	WELDED OUTLET 90-225 LINER-NET (I.B)	1
	77700-002485	ASSEMBLY SET FOR ONE CONICAL OUTLET EVP	1
	77700-086080	BOTTOM P.SHEET-NETAFIM D=10.05 (20)	1
<b>NetaTank 266m<sup>3</sup></b> (D9.38 X H3.83) Including metal cover	77700-000056	TANK EVP-SP 266M3 D=9.38 H=3.83+M.ROOF	1
	77700-028380	WALL P.SHEET-NETAFIM D=9.38M 33	1
	77700-040240	LINER-NETAFIM (I.B) D=9.38 H=3.83	1
	77700-040650	WELDED OUTLET 90-225 LINER-NET (I.B)	1
	77700-002485	ASSEMBLY SET FOR ONE CONICAL OUTLET EVP	1
	77700-086280	BOTTOM P.SHEET-NETAFIM D=10.05 (20)	1
<b>NetaTank 305m<sup>3</sup></b> (D10.05 X H3.83) Including metal cover	77700-000059	TANK EVP-SP 305M3 D=10.05 H=3.83+M.ROOF	1
	77700-028390	WALL P.SHEET-NETAFIM D=10.05M 33	1
	77700-040325	LINER-NETAFIM (I.B) D=10.05 H=3.83	1
	77700-040650	WELDED OUTLET 90-225 LINER-NET (I.B)	1
	77700-002485	ASSEMBLY SET FOR ONE CONICAL OUTLET EVP	1
	77700-086080	BOTTOM P.SHEET-NETAFIM D=10.05 (20)	1
<b>NetaTank 319m<sup>3</sup></b> (D9.38 X H4.59) Including metal cover	77700-000057	TANK EVP-SP 319M3 D=9.38 H=4.59+M.ROOF	1
	77700-028380	WALL P.SHEET-NETAFIM D=9.38M 33	1
	77700-040241	LINER-NETAFIM (I.B) D=9.38 H=4.59	1
	77700-040650	WELDED OUTLET 90-225 LINER-NET (I.B)	1
	77700-002485	ASSEMBLY SET FOR ONE CONICAL OUTLET EVP	1
	77700-086280	BOTTOM P.SHEET-NETAFIM D=10.05 (20)	1
<b>NetaTank 416m<sup>3</sup></b> (D10.72 X H4.57) Including metal cover	77700-000063	TANK EVP-SP 416M3 D=10.72 H=4.57+M.ROOF	1
	77700-028395	WALL P.SHEET-NETAFIM D=10.72M 37	1
	No Sap Code	LINER-NETAFIM (I.B) D=10.72 H=4.57	1
	77700-040650	WELDED OUTLET 90-225 LINER-NET (I.B)	1
	77700-002485	ASSEMBLY SET FOR ONE CONICAL OUTLET EVP	1
	77700-086080	BOTTOM P.SHEET-NETAFIM D=10.05 (20)	1

\* When ordering, please attach the liner ordering form as described in page 68

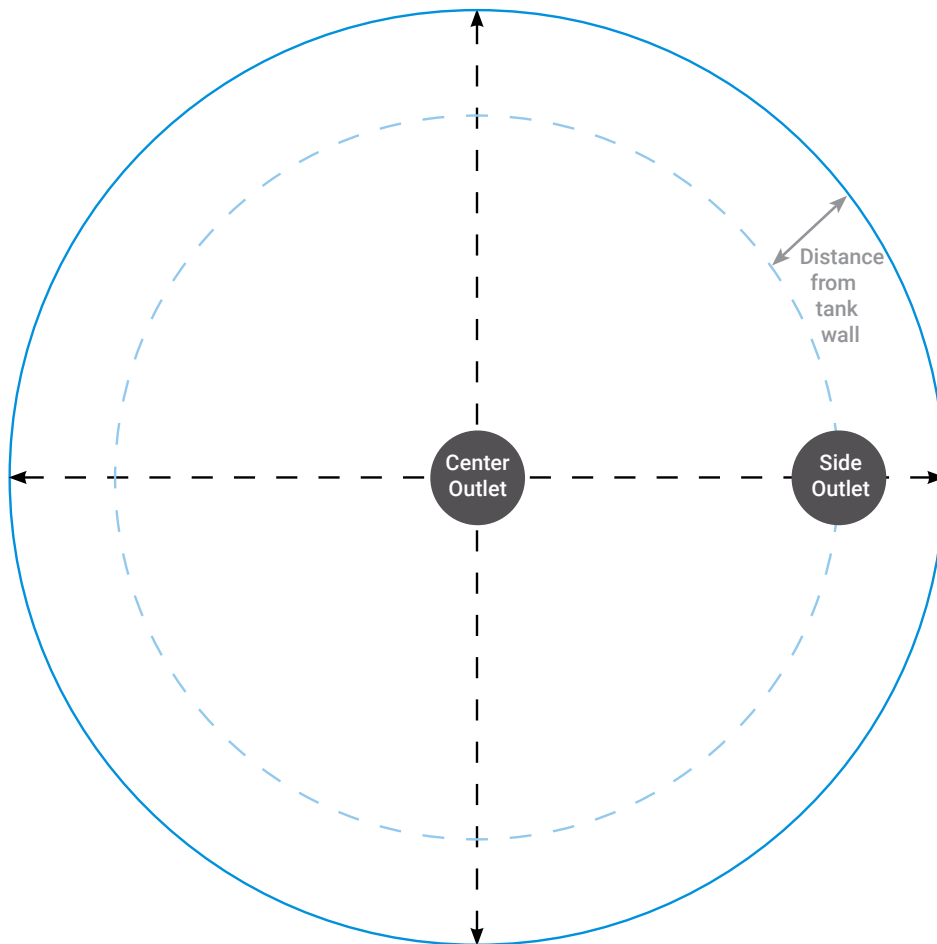
\*\* For any additional accessories such as tank filling inlets, outlets, over-flow, etc. demonstrated in page 72. please contact Netafim representative

**Technical data** (fill in according to your requirements)

Order #: \_\_\_\_\_

Tank Height (m)	
Tank Diameter (m)	
Tank Volume (m³)	
Liner Type*	Liner Netafim I.B

**Outlet design**



**Outlet location & Size** (Circle your selection)

**First Outlet**

**Location:** center / side

**Size:** 32-75 / 90-225 / 250-350 / 400-500

**Distance from Wall:** Standard\*\* / Other: \_\_\_\_\_ m

**Second Outlet** (optional)

**Location:** side

**Size:** 32-75 / 90-225 / 250-350 / 400-500

**Distance from Wall:** Standard\*\* / Other: \_\_\_\_\_ m

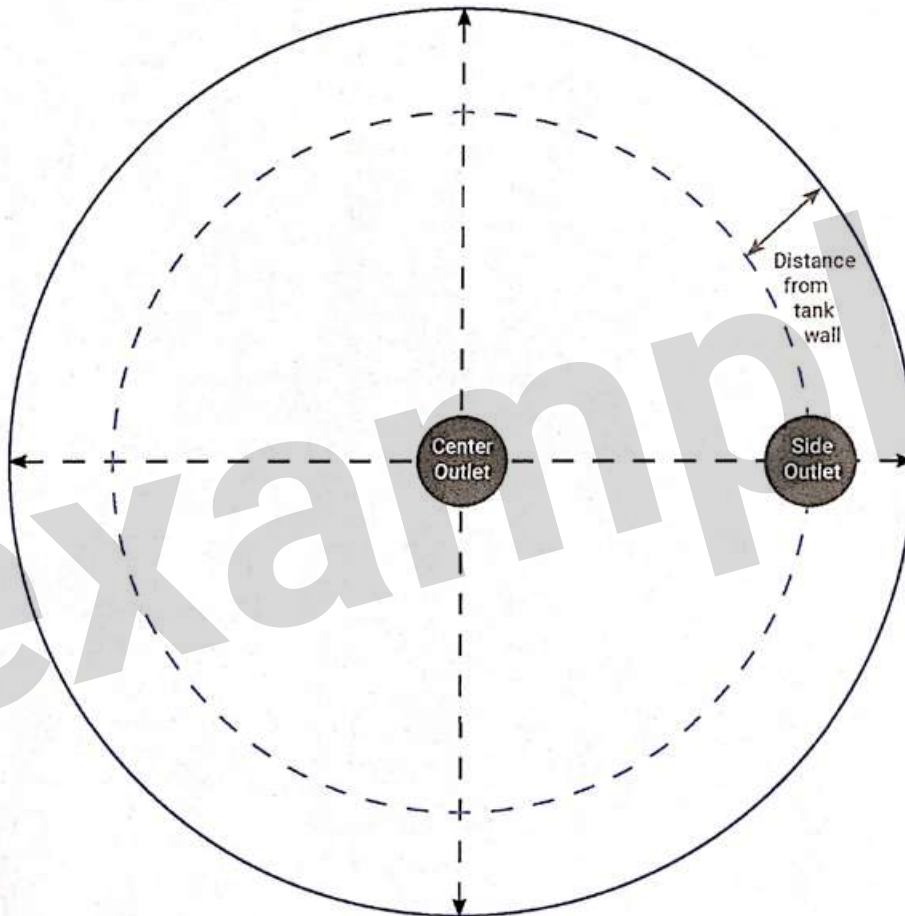
- \* Tension liners are I.B type. Potable liners available upon request
- \*\* Unless indicated, side outlets come in the distance of 1m from the internal tank wall. Center outlets in the exact tank middle.
- \*\*\* For tanks that include central post, center outlet is not available, and will be replaced with standard side outlet

Order #: 123456789

**Technical data** (fill in according to your requirements)

Tank Height (m)	3.83
Tank Diameter (m)	4.69
Tank Volume (m <sup>3</sup> )	66
Liner Type*	Liner Netafim I.B

**Outlet design**



**Outlet location & Size** (Circle your selection)

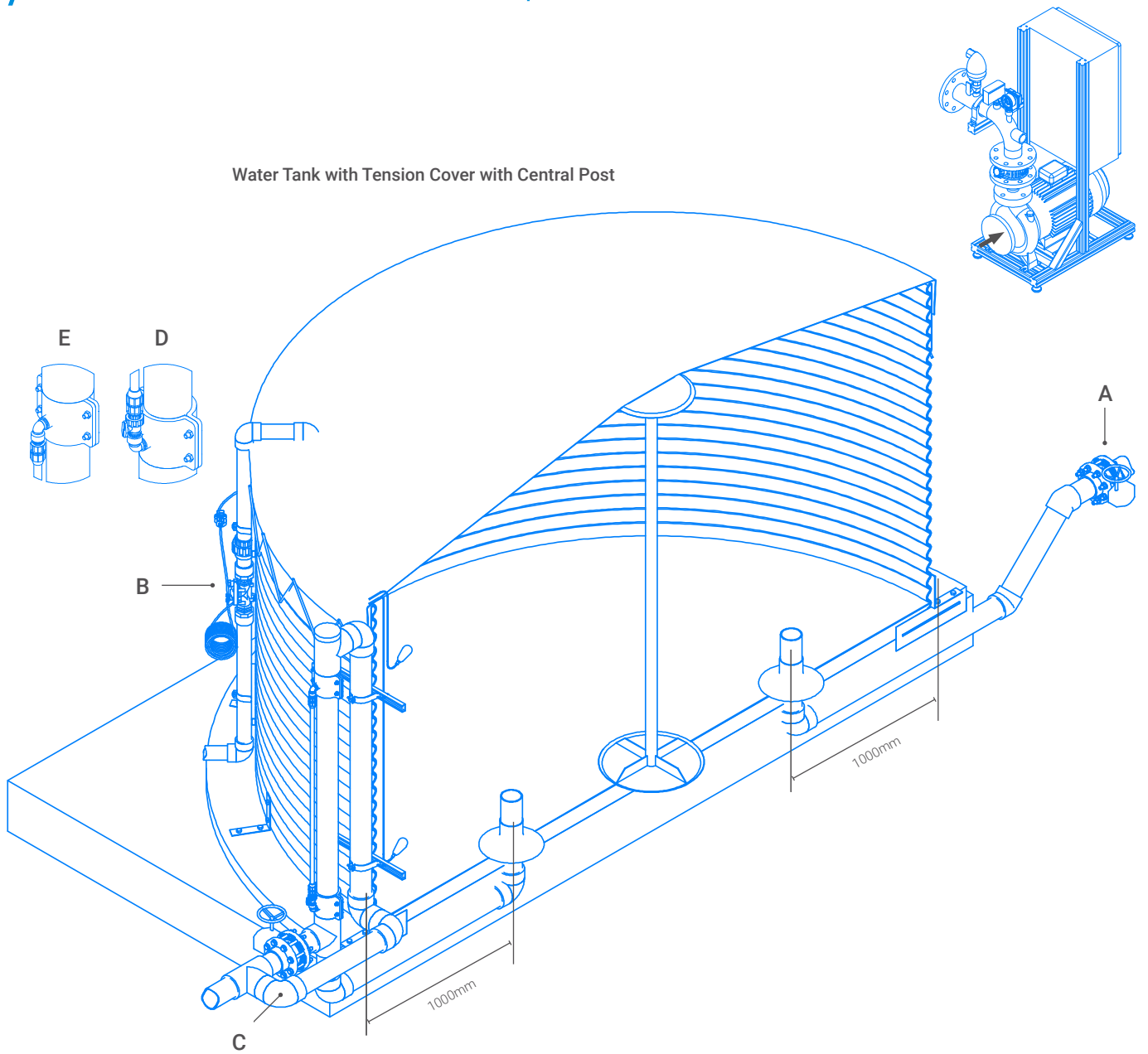
<b>First Outlet</b>	
Location:	<u>center</u> / side
Size:	32-75 / <u>90-225</u> / 250-350 / 400-500
Distance from Wall:	Standard** / Other: _____ m
<b>Second Outlet</b> (optional)	
Location:	side
Size:	<u>32-75</u> / 90-225 / 250-350 / 400-500
Distance from Wall:	Standard** / Other: <u>0.75</u> m

- \* Standard liners are I.B type. Potable liners available upon request
- \*\* Unless indicated, side outlets come in the distance of 1m from the internal tank wall. Center outlets in the exact tank middle.
- \*\*\* For tanks that include central post, center outlet is not available, and will be replaced with standard side outlet

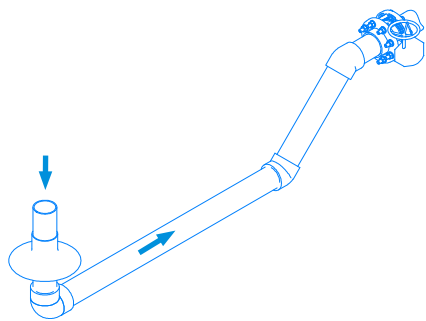
# Water Tanks Sketch Example

Pump

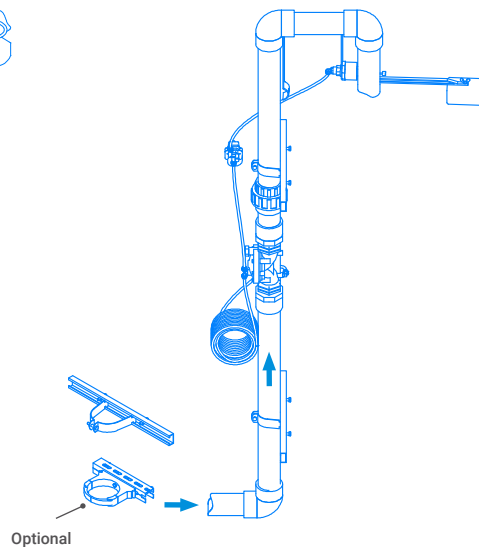
Water Tank with Tension Cover with Central Post



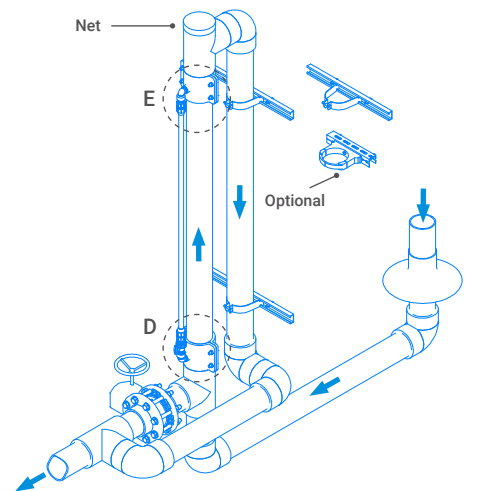
A - Outlet



B - Inlet



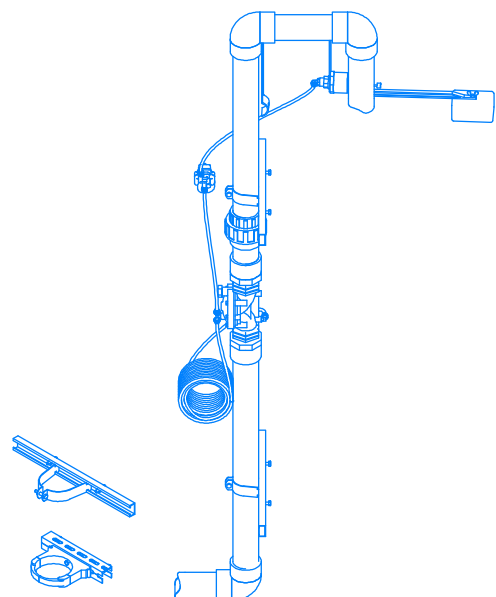
C - Overflow



# Catalog Numbers for Inlets

Cat. Numbers	Description	Units
<b>Pipe 63mm + 2" Float Valve</b>		
77400-015100	PVC 90 DEG ELBOW GLUE 63 MM	3
77400-017300	PVC 90 DEG THREADED ELBOW GLUE 63*2	1
40000-012495	TUBE PE 8MM NO-STRIPE 50M	1
45000-015360	CONNECTION FOR HYDR.TANK	1
35500-001300	AQUATIV AC (CV 606)1 SOLENOID W/BRACKET	1
75080-002900	SQUERE FLOAT 1/2	1
76400-003500	MALE ELBOW 8*1/4	2
76400-004500	MALE BRANCH TEE 8*1/4	2
76400-004400	MALE BRANCH TEE 8*1/8	2
76400-003400	MALE ELBOW 8*1/8	2
76400-007800	PIPE REDUCING COUPLING 1/4*1/2	2
77800-002150	FLOAT W ITH 10M CABLE (KEY)	2
45000-021110	PROFILE 41X21mm L=0.48M	3
76860-006130	2" CLAMP(2005060)-63 PVC PIPE	3
<b>Pipe 90mm + 3" Float Valve</b>		
71600-003455	S75PL 3" H UNF BAS 3W	1
75280-001700	PIPE 90/10 MM	5
77400-015300	PVC 90 DEG ELBOW GLUE 90 MM	3
77400-001900	PVC LOOSE FLANGE 90MM GLUE	2
77400-002700	PVC FLANGE ADAPTOR 90MM GLUE	2
76520-001100	SEAL FOR FLANGE 3"	2
76540-001720	BOLT 5/8*90 MM FULL THREAD	8
76540-001100	NUTS 5/8	8
76540-001010	THICK WASHER 5/8	16
40000-012495	TUBE PE 8MM NO-STRIPE 50M	1
45000-015360	CONNECTION FOR HYDR.TANK	1
35500-001300	AQUATIV AC (CV 606)1 SOLENOID W/BRACKET	1
75080-002900	SQUERE FLOAT 1/2	1
76400-003500	MALE ELBOW 8*1/4	2
76400-004500	MALE BRANCH TEE 8*1/4	2
76400-004400	MALE BRANCH TEE 8*1/8	2
76400-003400	MALE ELBOW 8*1/8	2
76400-007800	PIPE REDUCING COUPLING 1/4*1/2	2
77800-002150	FLOAT W ITH 10M CABLE (KEY)	2
45000-021110	PROFILE 41X21mm L=0.48M	3
76860-006150	3" CLAMP(2005090)-90 PVC PIPE	2
<b>Pipe 110mm + 4" Flanged Float Valve</b>		
71600-051098	S75PL 4" H UNF BAS 3W	1
77400-002000	PVC LOOSE FLANGE 110MM GLUE	2
77400-002800	PVC FLANGE ADAPTOR 110MM GLUE	2
76520-001200	SEAL FOR FLANGE 4"	2
76540-001820	BOLT 5/8*100 MM FULL THREAD	8
76540-001100	NUTS 5/8	8
76540-001010	THICK WASHER 5/8	8
76540-004100	THREADED ROD 5/8 * 1.0 M	2
75280-001800	PIPE 110 MM	5
77400-015400	PVC 90 DEG ELBOW GLUE 110 MM	3
40000-012495	TUBE PE 8MM NO-STRIPE 50M	1
45000-015360	CONNECTION FOR HYDR.TANK	1
75080-002900	SQUERE FLOAT 1/2	2
76400-003500	MALE ELBOW 8*1/4	2
76400-004500	MALE BRANCH TEE 8*1/4	2
76400-004400	MALE BRANCH TEE 8*1/8	2
76400-003400	MALE ELBOW 8*1/8	2
76400-007800	PIPE REDUCING COUPLING 1/4*1/2	2
45000-021110	PROFILE 41X21mm L=0.48M	3
76860-006160	4" CLAMP(2005120)-110 PVC PIPE	3

Cat. Numbers	Description	Units
<b>Pipe 160mm + 160mm Float Valve</b>		
71600-005850	S90PVC 160 H GLUE BAS 3W	1
75280-002000	PIPE 160 MM	5
77400-015700	PVC 90 DEG ELBOW GLUE 160 MM	3
40000-012495	TUBE PE 8MM NO-STRIPE 50M	1
45000-015360	CONNECTION FOR HYDR.TANK	1
75080-002900	SQUERE FLOAT 1/2	2
76000-001800	BALL VALVE 1/2 SHORT SA 200	1
76400-007800	PIPE REDUCING COUPLING 1/4*1/2	2
76400-008800	PIPE ADAPTOR 1/4F*1/2M-LONG	5
76400-003500	MALE ELBOW 8*1/4	5
77400-013600	PVC 90 DEG THREADED TEE 1/2	1
76400-006500	PIPE HEX NIPPLE 1/2	1
45000-021110	PROFILE 41X21mm L=0.48M	2
76860-006170	6" CLAMP(2005160)-160 PVC PIPE	2
<b>Pipe 160mm + 6" Flanged Float Valve</b>		
71600-051099	S75PL 6"R H UNF BAS 3W	1
77400-002200	PVC LOOSE FLANGE 160MM GLUE	2
77400-003000	PVC FLANGE ADAPTOR 160MM GLUE	2
76520-001300	FLANGE GASKET 6"	2
76540-001820	BOLT 5/8*100 MM FULL THREAD	8
76540-001100	NUTS 5/8	8
76540-001010	THICK WASHER 5/8	8
76540-004100	THREADED ROD 5/8 * 1.0 M	2
75280-002000	PIPE 160 MM	5
77400-015700	PVC 90 DEG ELBOW GLUE 160 MM	3
45000-015360	CONNECTION FOR HYDR.TANK	1
75080-002900	SQUERE FLOAT 1/2	2
40000-012495	TUBE PE 8MM NO-STRIPE 50M	1
76400-003500	MALE ELBOW 8*1/4	3
76400-004500	MALE BRANCH TEE 8*1/4	2
76400-003400	MALE ELBOW 8*1/8	2
76400-004500	MALE BRANCH TEE 8*1/4	2
45000-021110	PROFILE 41X21mm L=0.48M	2
76860-006170	6" CLAMP(2005160)-160 PVC PIPE	2



# Catalog Numbers for Outlets

Cat. Numbers	Description	Units
<b>Outlets 90mm</b>		
77400-015300	PVC 90 DEG ELBOW GLUE 90 MM	2
75280-001700	PIPE 90/10 MM	10
77400-004000	PVC SOCKET 90 MM GLUE	1
77400-001900	PVC LOOSE FLANGE 90MM GLUE	2
77400-002700	PVC FLANGE ADAPTOR 90MM GLUE	2
72200-001300	BUTTERFLY VALVE GEAR 3" AV 102	1
76520-001100	SEAL FOR FLANGE 3"	2
76540-002100	BOLT 5/8*130 MM	8
76540-001100	NUTS 5/8	16
76540-001010	THICK WASHER 5/8	16
77400-029600	PVC 45 DEG ELBOW GLUE 90 MM	2
76540-004100	THREADED ROD 5/8 * 1.0 M	2
<b>Outlets 110mm</b>		
77400-015400	PVC 90 DEG ELBOW GLUE 110 MM	2
75280-001800	PIPE 110 MM	10
77400-004100	PVC SOCKET 110 MM GLUE	1
77400-002000	PVC LOOSE FLANGE 110MM GLUE	2
77400-002800	PVC FLANGE ADAPTOR 110MM GLUE	2
72200-001400	BUTTERFLY VALVE GEAR 4" AV 102	1
76520-001200	SEAL FOR FLANGE 4"	2
76540-002300	BOLT 5/8*150 MM	8
76540-001100	NUTS 5/8	16
76540-001010	THICK WASHER 5/8	16
77400-029700	PVC 45 DEG ELBOW GLUE 110 MM	2
76540-004100	THREADED ROD 5/8 * 1.0 M	2
<b>Outlets 160mm</b>		
77400-015700	PVC 90 DEG ELBOW GLUE 160 MM	2
75280-002000	PIPE 160 MM	10
77400-004400	PVC SOCKET 160 MM GLUE	1
77400-002200	PVC LOOSE FLANGE 160MM GLUE	2
77400-003000	PVC FLANGE ADAPTOR 160MM GLUE	2
72200-001500	BUTTERFLY VALVE GEAR 6" AV 102	1
76520-001300	FLANGE GASKET 6"	2
76540-002570	BOLT 5/8*220 MM	8
76540-001100	NUTS 5/8	16
76540-001010	THICK WASHER 5/8	16
77400-029860	PVC 45 DEG ELBOW GLUE 160 MM	2
76540-004100	THREADED ROD 5/8 * 1.0 M	2

Cat. Numbers	Description	Units
<b>Outlets 225mm</b>		
77400-015900	PVC 90 DEG ELBOW GLUE 225 MM	1
75260-004300	PIPE PVC PRESS BELL 225/10 W/SEAL 5.6M	12
77400-004600	PVC SOCKET 225 MM GLUE	1
77400-003100	PVC FLANGE ASAPTOR 225MM GLUE	2
77400-002300	PVC LOOSE FLANGE 225MM GLUE	2
72200-001600	BUTTERFLY VALVE GEAR 8" AV 102	1
76520-001400	FLANGE GASKET 8"	3
76540-002570	BOLT 5/8*220 MM	8
76540-001100	NUTS 5/8	8
76540-001010	THICK WASHER 5/8	8
77400-002870	PVC 45 DEG ELBOW GLUE 225 MM	2
76540-004100	THREADED ROD 5/8 * 1.0 M	4
76400-003400	MALE ELBOW 8*1/8	2
76400-007800	PIPE REDUCING COUPLING 1/4*1/2	2
45000-021110	PROFILE 41X21mm L=0.48M	3
76860-006160	4" CLAMP(2005120)-110 PVC PIPE	3

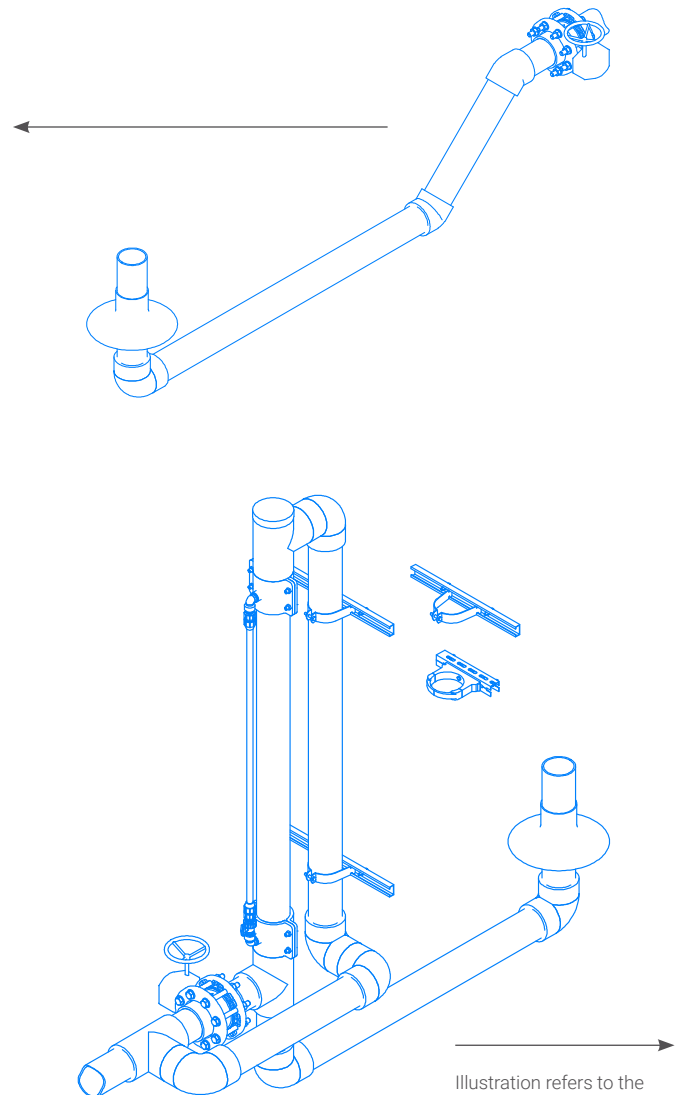


Illustration refers to the catalog numbers on the next page



# Catalog Numbers for Flow Systems

Cat. Numbers	Description	Units
<b>Over Flow 90mm</b>		
72200-001300	BUTTERFLY VALVE GEAR 3" AV 102	1
77400-001900	PVC LOOSE FLANGE 90MM GLUE	2
77400-002700	PVC FLANGE ADAPTOR 90MM GLUE	2
76520-001100	SEAL FOR FLANGE 3"	2
76540-002100	BOLT 5/8*130 MM	6
76540-001100	NUTS 5/8	6
76540-001010	THICK WASHER 5/8	12
77400-012900	PVC 90 DEG TEE GLUE 90	3
77400-015300	PVC 90 DEG ELBOW GLUE 90 MM	7
75280-001700	PIPE 90/10 MM	2*
45000-021110	PROFILE 41X21mm L=0.48M	3
76860-006150	3" CLAMP(2005090)-90 PVC PIPE	3
76900-001000	WELD-ON CEMENT 717LOW VOC PVC PL.P 1000G	1**
76900-001100	WELD-ON PRIMER P68LOW VOC PVC PL. P1000G	1**
45000-010450	Spring clamp 6" for Pooling water tank	10
72420-001810	PIPE 20-16-TRANSPARENT 4M	1
75060-002900	SADDLE 90*3/4 W/O RING	2
75210-003800	MALE COUPLING 20*3/4	1
75210-005800	FEMALE COUPLING 20*3/4	1
76220-009000	DRIPLINE VALVE 3/4M * 3/4 F	1
78220-003100	PLASTIC ELBOW 3/4F*3/4 M	2
78220-007300	PLASTIC NIPPLE 3/4*3/4	2
78220-002600	PLASTIC ELBOW 3/4 F	2
<b>Over Flow 110mm</b>		
72200-001400	BUTTERFLY VALVE GEAR 4" AV 102	1
77400-002000	PVC LOOSE FLANGE 110MM GLUE	2
77400-002800	PVC FLANGE ADAPTOR 110MM GLUE	2
76520-001200	SEAL FOR FLANGE 4"	2
76540-002300	BOLT 5/8*150 MM	6
76540-001100	NUTS 5/8	6
76540-001010	THICK WASHER 5/8	12
77400-013000	PVC 90 DEG TEE GLUE 110	3
77400-015400	PVC 90 DEG ELBOW GLUE 110 MM	7
75280-001800	PIPE 110 MM	2*
45000-021110	PROFILE 41X21mm L=0.48M	3
76860-006160	4" CLAMP(2005120)-110 PVC PIPE	3
76900-001000	WELD-ON CEMENT 717LOW VOC PVC PL.P 1000G	1**
76900-001100	WELD-ON PRIMER P68LOW VOC PVC PL. P1000G	1**
45000-010450	Spring clamp 6" for Pooling water tank	10
72420-001810	PIPE 20-16-TRANSPARENT 4M	1
75060-002983	SADDLE 110*3/4 W/O RING	2
75210-003800	MALE COUPLING 20*3/4	1
75210-005800	FEMALE COUPLING 20*3/4	1
76220-009000	DRIPLINE VALVE 3/4M * 3/4 F	1
78220-003100	PLASTIC ELBOW 3/4F*3/4 M	2
78220-007300	PLASTIC NIPPLE 3/4*3/4	2
78220-002600	PLASTIC ELBOW 3/4 F	2

Cat. Numbers	Description	Units
<b>Over Flow 160mm</b>		
72200-001500	BUTTERFLY VALVE GEAR 6" AV 102	1
77400-002200	PVC LOOSE FLANGE 160MM GLUE	2
77400-003000	PVC FLANGE ADAPTOR 160MM GLUE	2
76520-001300	FLANGE GASKET 6"	2
76540-002570	BOLT 5/8*220 MM	8
76540-001100	NUTS 5/8	8
76540-001010	THICK WASHER 5/8	12
77400-013300	PVC 90 DEG TEE GLUE 160	3
77400-015700	PVC 90 DEG ELBOW GLUE 160 MM	6
75280-002000	PIPE 160 MM	2*
45000-021110	PROFILE 41X21mm L=0.48M	3
76860-006170	6" CLAMP(2005160)-160 PVC PIPE	3
76900-001000	WELD-ON CEMENT 717LOW VOC PVC PL.P 1000G	1**
76900-001100	WELD-ON PRIMER P68LOW VOC PVC PL. P1000G	1**
45000-010450	Spring clamp 6" for Pooling water tank	10
72420-001810	PIPE 20-16-TRANSPARENT 4M	1
75060-004750	SADDLE 160*1 W/RING 6 BOLTS	2
78220-004600	PLASTIC BUSHING 1M * 3/4F	2
75210-003800	MALE COUPLING 20*3/4	1
75210-005800	FEMALE COUPLING 20*3/4	1
76220-009000	DRIPLINE VALVE 3/4M * 3/4 F	1
78220-003100	PLASTIC ELBOW 3/4F*3/4 M	2
78220-007300	PLASTIC NIPPLE 3/4*3/4	2
78220-002600	PLASTIC ELBOW 3/4 F	2
<b>Over Flow 225mm</b>		
72200-001600	BUTTERFLY VALVE GEAR 8" AV 102	1
77400-003100	PVC FLANGE ADAPTOR 225MM GLUE	2
77400-002300	PVC LOOSE FLANGE 225MM GLUE	2
76520-001400	FLANGE GASKET 8"	2
76540-002570	BOLT 5/8*220 MM	8
76540-001100	NUTS 5/8	8
76540-001010	THICK WASHER 5/8	12
77400-013500	PVC 90 DEG TEE GLUE 225	3
77400-015900	PVC 90 DEG ELBOW GLUE 225 MM	6
75260-004300	PIPE PVC PRESS BELL 225/10 W/SEAL 5.6M	12
45000-021110	PROFILE 41X21mm L=0.48M	3
76860-006175	8" CLAMP(2005225)-160 PVC PIPE	3
76900-001000	WELD-ON CEMENT 717LOW VOC PVC PL.P 1000G	1**
76900-001100	WELD-ON PRIMER P68LOW VOC PVC PL. P1000G	1**
45000-010450	Spring clamp 6" for Pooling water tank	10
72420-001810	PIPE 20-16-TRANSPARENT 4M	1
78400-010600	SADDLE GLUE 225*2"	2
75050-002800	PLASTIC NIPPLE REDUC. 2*3/4	2
75210-003800	MALE COUPLING 20*3/4	1
75210-005800	FEMALE COUPLING 20*3/4	1
76220-009000	DRIPLINE VALVE 3/4M * 3/4 F	1
78220-003100	PLASTIC ELBOW 3/4F*3/4 M	2
78220-007300	PLASTIC NIPPLE 3/4*3/4	2
78220-002600	PLASTIC ELBOW 3/4 F	2

\* Pipe unit is 5.5m long. 10m pipe is needed

\*\* Weld-on primer & glue may be purchased locally

# NetaTank™ Outlets

Standard Outlet - Welded



→ **Catalog Numbers**

Product Description	Catalog Number
WELDED OUTLET 32-75 LINER-NET (I.B)	77700-040600
WELDED OUTLET 90-225 LINER-NET (I.B)	77700-040650
WELDED OUTLET 250-350 LINER-NET (I.B)	77700-040700
WELDED OUTLET 400-500 LINER-NET (I.B)	77700-040750

Zero Outlet - Aquaculture

Top Side



Bottom Side



→ **Catalog Numbers**

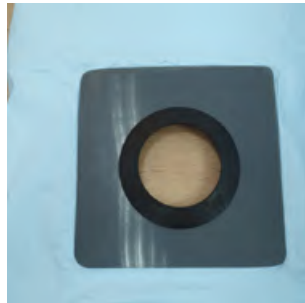
Product Description	Catalog Number
FISH SOLID OUTLET (I.B) 110MM	77700-901950
FISH SOLID OUTLET (I.B) 160MM	77700-901951
FISH SOLID OUTLET (I.B) 200MM	77700-901952
FISH SOLID OUTLET (I.B) 250MM	77700-901953

Zero Outlet - Seal Only

Top Side



Bottom Side



→ **Catalog Numbers**

Product Description	Catalog Number
OUTLET "0"+PENETRATE SEAL 90MM CUT 103	77700-901900
OUTLET "0"+PENETRATE SEAL 110MM CUT 124	77700-901901
OUTLET "0"+PENETRATE SEAL 160MM CUT 175	77700-901902
OUTLET "0"+PENETRATE SEAL 200MM CUT 225	77700-901903

# / Metal Sheets Thickness

Tank Diameter	Tank Height	Tank Volume	Number of Panels in a Ring	Number of Panels in Height	Panels Thickness					
					0.8	1 S280	1 S280 3 Hole	1.2 S280 3 Hole	1.6 S380 3 Hole	1.6 S390 3 Hole M12
2.68	1.55	9	4	2	8					
2.68	2.31	13	4	3	12					
2.68	3.07	17	4	4	16					
2.68	3.83	22	4	5	20					
2.68	4.59	26	4	6	24					
3.55	1.55	14	5	2	10					
3.55	2.31	20	5	3	15					
3.55	3.07	27	5	4	20					
3.55	3.83	34	5	5	25					
3.55	4.59	41	5	6	30					
4.02	1.55	20	6	2	12					
4.02	2.31	29	6	3	18					
4.02	3.07	39	6	4	24					
4.02	3.83	49	6	5	30					
4.02	4.59	58	6	6	30	6				
4.69	1.55	27	7	2	14					
4.69	2.31	40	7	3	21					
4.69	3.07	53	7	4	28					
4.69	3.83	66	7	5	28	7				
4.69	4.59	79	7	6	28	14				
5.36	1.55	35	8	2	16					
5.36	2.31	52	8	3	24					
5.36	3.07	69	8	4	32					
5.36	3.83	87	8	5	32	8				
5.36	4.59	104	8	6	32	8	8			
6.03	1.55	44	9	2	18					
6.03	2.31	66	9	3	27					
6.03	3.07	88	9	4	27	9				
6.03	3.83	109	9	5	27	18				
6.03	4.59	131	9	6	27	18	9			
6.7	1.55	55	10	2	20					
6.7	2.31	81	10	3	30					
6.7	3.07	108	10	4	30	10				
6.7	3.83	135	10	5	30	10	10			
6.7	4.59	162	10	6	30	10	20			
7.37	1.55	66	11	2	22					
7.37	2.31	98	11	3	33					
7.37	3.07	131	11	4	33	11				
7.37	3.83	164	11	5	33	11	11			
7.37	4.59	196	11	6	33	11	22			
8.04	1.55	79	12	2	24					
8.04	2.31	117	12	3	24	12				
8.04	3.07	156	12	4	24	12	12			
8.04	3.83	195	12	5	24	12	24			
8.04	4.59	233	12	6	24	12	24	12		
8.71	1.55	92	13	2	26					
8.71	2.31	138	13	3	26	13				
8.71	3.07	183	13	4	26	13	13			
8.71	3.83	228	13	5	26	13	26			
8.71	4.59	274	13	6	26	13	26	13		

→ Metal Sheets Thickness

Tank Diameter	Tank Height	Tank Volume	Number of Panels in a Ring	Number of Panels in Height	Panels Thickness					
					0.8	1 S280	1 S280 3 Hole	1.2 S280 3 Hole	1.6 S380 3 Hole	1.6 S390 3 Hole M12
9.38	1.55	107	14	2	28					
9.38	2.31	160	14	3	28	14				
9.38	3.07	212	14	4	28	14	14			
9.38	3.83	265	14	5	28	14	14	14		
9.38	4.59	318	14	6	28	14	14	28		
10.05	1.55	123	15	2	30					
10.05	2.31	183	15	3	30	15				
10.05	3.07	244	15	4	30	15	15			
10.05	3.83	304	15	5	30	15	15	15		
10.05	4.59	364	15	6	30	15	15	15	16	
10.72	1.55	140	16	2	32					
10.72	2.31	208	16	3	32		16			
10.72	3.07	277	16	4	32		32			
10.72	3.83	346	16	5	32		32	16		
10.72	4.59	415	16	6	32		32	16	16	
11.39	1.55	158	17	2	17	17				
11.39	2.31	235	17	3	34		17			
11.39	3.07	313	17	4	34		34			
11.39	3.83	390	17	5	34		34	17		
11.39	4.59	468	17	6	34		34	17		17
12.06	1.55	177	18	2	18	18				
12.06	2.31	264	18	3	18	18	18			
12.06	3.07	351	18	4	18	18	18	18		
12.06	3.83	438	18	5	18	18	18	18	18	
12.06	4.59	525	18	6	18	18	18	18	18	18
12.73	1.55	197	19	2	19	19				
12.73	2.31	294	19	3	19	19	19			
12.73	3.07	391	19	4	19	19	19	19		
12.73	3.83	488	19	5	19	19	19	19	19	
12.73	4.59	580	19	6	19	19	19	19	19	19
13.4	1.55	218	20	2	20	20				
13.4	2.31	325	20	3	20	20	20			
13.4	3.07	433	20	4	20	20	20	20		
13.4	3.83	540	20	5	20	20	20	20		20
13.4	4.59	648	20	6	20	20	20	20		40
14.07	1.55	240	21	2	21	21				
14.07	2.31	359	21	3	21	21	21			
14.07	3.07	477	21	4	21	21	21	21		
14.07	3.83	596	21	5	21	21	21	21		21
14.07	4.59	714	21	6	21	21	21	21		42
14.74	1.55	264	22	2	22	22				
14.74	2.31	394	22	3	22	22	22			
14.74	3.07	524	22	4	22	22	22		22	
14.74	3.83	654	22	5	22	22	22		22	22
14.74	4.59	784	22	6	22	22	22		22	44
15.41	1.55	288	23	2	23		23			
15.41	2.31	430	23	3	23	23		23		
15.41	3.07	573	23	4	23	23	23		23	
15.41	3.83	715	23	5	23	23	23		23	23
15.41	4.59	857	23	6	23	23	23		23	46
16.08	1.55	314	24	2	24		24			

→ Metal Sheets Thickness

Tank Diameter	Tank Hight	Tank Volume	Number of Panels in a Ring	Number of Panels in Hight	Panels Thickness					
					0.8	1 S280	1 S280 3 Hole	1.2 S280 3 Hole	1.6 S380 3 Hole	1.6 S390 3 Hole M12
16.08	2.31	469	24	3	24		24	24		
16.08	3.07	623	24	4	24		24	24		24
16.08	3.83	778	24	5	24		24	24	24	24
16.08	4.59	933	24	6	24		24	24	24	48
16.75	1.55	341	25	2	25		25			
16.75	2.31	509	25	3	25		25	25		
16.75	3.07	677	25	4	25		25	25		25
16.75	3.83	844	25	5	25		25	25		50
16.75	4.59	1012	25	6	25		25	25		75
17.42	1.55	369	26	2	26		26			
17.42	2.31	550	26	3	26		26	26		
17.42	3.07	732	26	4	26		26	26		26
17.42	3.83	913	26	5	26		26	26		52
18.09	1.55	397	27	2	27		27			
18.09	2.31	593	27	3	27		27	27		
18.09	3.07	789	27	4	27		27	27		27
18.09	3.83	985	27	5	27		27	27		54
18.76	1.55	427	28	2	28		28			
18.76	2.31	638	28	3	28		28	28		
18.76	3.07	849	28	4	28		28	28		28
18.76	3.83	1059	28	5	28		28	28		56
19.43	1.55	458	29	2	29		29			
19.43	2.31	684	29	3	29		29		29	
19.43	3.07	910	29	4	29		29	29		29
19.43	3.83	1136	29	5	29		29	29		58
20.1	1.55	491	30	2	30		30			
20.1	2.31	732	30	3	30		30		30	
20.1	3.07	974	30	4	30		30		30	30
20.1	3.83	1216	30	5	30		30		30	60
20.77	1.55	524	31	2	31		31			
20.77	2.31	782	31	3	31		31		31	
20.77	3.07	1040	31	4	31		31		31	31
21.44	1.55	558	32	2	32		32			
21.44	2.31	833	32	3	32		32			32
21.44	3.07	1108	32	4	32		32		32	32
22.11	1.55	594	33	2	33		33			
22.11	2.31	886	33	3	33		33			33
22.11	3.07	1179	33	4	33		33			66
22.78	1.55	558	34	2	34		34			
22.78	2.31	941	34	3	34		34			34
22.78	3.07	1251	34	4	34		34			68
23.45	1.55	668	35	2		35		35		
23.45	2.31	997	35	3		35		35		35
23.45	3.07	1326	35	4		35		35		70
24.12	1.55	706	36	2		36		36		
24.12	2.31	1054	36	3		36		36		36
24.12	3.07	1403	36	4		36		36		72
24.79	1.55	746	37	2		37		37		
24.79	2.31	1114	37	3		37		37		37
24.79	3.07	1482	37	4		37		37		74
25.46	1.55	787	38	2		38		38		

→ Metal Sheets Thickness

Tank Diameter	Tank Hight	Tank Volume	Number of Panels in a Ring	Number of Panels in Hight	Panels Thickness					
					0.8	1 S280	1 S280 3 Hole	1.2 S280 3 Hole	1.6 S380 3 Hole	1.6 S390 3 Hole M12
25.46	2.31	1175	38	3		38		38		38
25.46	1.55	829	39	2		39		39		
25.46	2.31	1237	39	3		39		39		39
26.8	1.55	872	40	2		40		40		
26.8	2.31	1302	40	3		40		40		40
26.8	1.55	916	41	2		41		41		
26.8	2.31	1368	41	3		41		41		41
28.14	1.55	962	42	2		42		42		
28.14	2.31	1435	42	3		42		42		42
28.81	1.55	1008	43	2		43		43		
28.81	2.31	1504	43	3		43		43		43
29.48	1.55	1055	44	2		44			44	
29.48	2.31	1575	44	3		44			44	44
30.15	1.55	1104	45	2		45			45	
30.15	2.31	1647	45	3		45			45	45

# Reinforcement Ring

Alternative solution for central post in water tanks of large diameters.



## → Installation Process

In the pictures you can see one steel tube and a steel sheet.

- ✓ You must secure the tube in the top ring on the inner side of the tank (**image 01**).  
The steel tube has pre-drilled holes, you must drill the holes for the bolts in the metal sheet yourselves
- ✓ You must secure the section of steel tube with the included bolts and nuts. The bolts on the inside of the tank, as in **image 02**
- ✓ As you can see in **image 04** and **05** the sections of steel tube can slide into the next section. Do this and continue in the same manner as described above
- ✓ Because this example is only one section, the location is not correct. Make sure that the overlap of the sections of steel tube is in the middle of the steel sheets
- ✓ After you have installed the reinforcement ring, install the protective felt as usual. To avoid damage to the liner, make sure that the protective felt also overlaps the bolt and nut on the outside of the tank
- ✓ Then, continue with the liner, etc. as described in our installation instructions



image 01



image 02



image 03



image 04



image 05

## → Catalog Numbers

Description	Catalog Number
REINFORCEMENT RING 14.07M	77700-000013
REINFORCEMENT RING 14.74m	77700-000023

Alternative solution for central post in water tanks of large diameters

# / Installation Examples











# / Geomembrane & Geotextile

# HDPE Super Seal Geomembrane Smooth



Property	Test Method ASTM	Units	Test Values	
Thickness	D 5199	mm	1.0	1.5
Density (min.)	D 1505	g/cm <sup>3</sup>	0.94	0.95
Tensile properties	D 6693 Type IV			
- Yield strength - min.	"	kN/m	13	24
- Break strength - min.	"	kN/m	27	42
- Yield elongation - min.	"	%	12	12
- Break elongation - min.	"	%	700	750
Tear resistance - min.	D 1004	N	125	195
Puncture resistance - min.	D 4833	N	320	500
Stress crack resistance	D 5397	hr	>300	>500
Carbon black content - min.	D 4218	%	2	2
Carbon black dispersion	D 5596	Cat.	1	1

Tests are performed according to GRI standard GM 13  
Revision 5 – 1/2015

## → Catalog Numbers

Description	Catalog Number
HDPE S.SEAL RC541 GEOMEMBRANE 1,500 MIC	78720-000361
HDPE S.SEAL RC542 GEOMEMBRANE 1,000 MIC	78720-000360



# Geotextile S18NW

S18NW is a UV stabilized polypropylene needle punched nonwoven geotextile. The construction of the geotextile makes S18NW ideal for various applications.



## → Applications and Intended Uses of the Needle Punched Non-Woven Geotextile

en 13249	en 13250	en 13251	en 13252	en 113253	en 13254	en 13255	en 13256	en 13257	en 13265
F	F	F	F	F	F	F		F	F
R	R	R	D	R	R	R		R	R
F+S	F+S	F+S	F+S	F+S	F+S	F+S		F+S	F+R
R+S	R+S	R+S	F+D	R+S	R+S	R+S		R+S	
F+R	F+R	F+R	F+S+D	F+R	F+R	F+R		F+R	
F+R+S	F+R+S	F+R+S		F+R+S	F+R+S	F+R+S		F+R+S	

It is resistant to commonly encountered soil chemicals, mildew and insects and is non-biodegradable.

**S18NW** conforms to the property values listed below. Technical data are based on statistical analysis 95% confidence limit.

Property	Test Method	Value	Metric Units	Tolerance
<b>Mechanical</b>				
Tensile strength (MD/CD)	EN 15010319	Average	kN/m	18.0/18.0
Elongation (MD/CD)	EN 15010319		%	50/50
Resistance to static puncture	EN 15012236		N	2900
Dynamic Perforation resistance	EN 15013433		MM	18
<b>Hydraulic</b>				
Characteristic Opening Size ( $O_{90}$ )	EN 15012956	Average	$\mu$ M	70
Water flow velocity $V_{H50}$	EN 150 11058		mm/sec	80
Water flow rate	EN 150 11058		l/(m <sup>2</sup> x sec)	80
Water flow capacity in the plane (MD/CD)	HG 1.0 at 20kPa		EN 15012958	1/m/sec*10 <sup>4</sup>
	HG 1.0 at 100kPa	6.0/3.8		
	HG 1.0 at 200kPa	1.8/2.3		
<b>Physical</b>				
Nominal Mass/Unit Area	EN 1509864	Average	gr/m <sup>2</sup>	200
Nominal Thickness (2kPa)	EN 150 9863-1		MM	1.4
<b>Standardp Packaging</b>				
Roll Width/ Length	Measured	Typical	M	6.0/100
				±0.05/±2

# Floating Cover

Floating covers are a simple, cost effective solution, ideal for the protection of reservoirs from contaminants as well as algae growth and evaporation.



Built to last



Cost effective

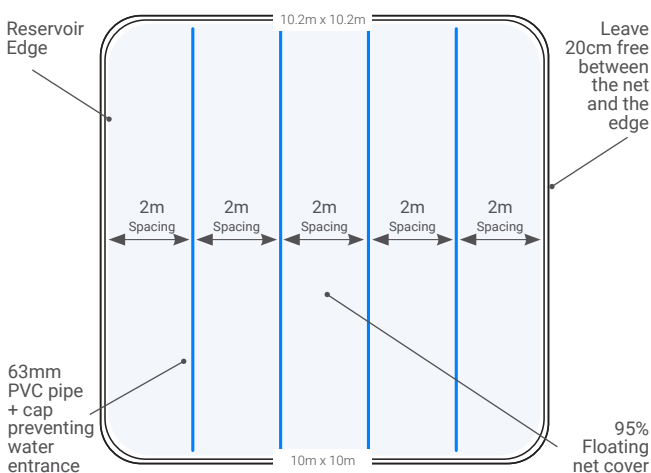


No maintenance

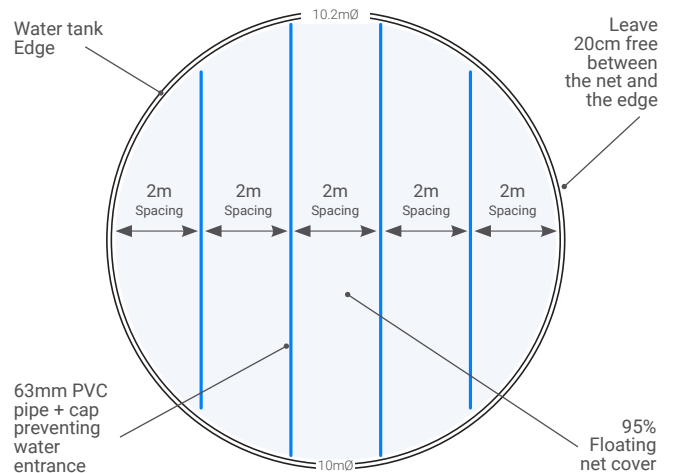
## / Benefits & Features

- Cost-effective    Affordable
- Maintenance    None
- Built to last    UV stable and high quality materials
- Absorption    Rainwater can be easily absorbed
- Easy access    On installed equipment
- Efficient    Reduces dramatically organic materials and algae
- Evaporation control    Suitable for basic and minimal

### → Reservoir Illustration



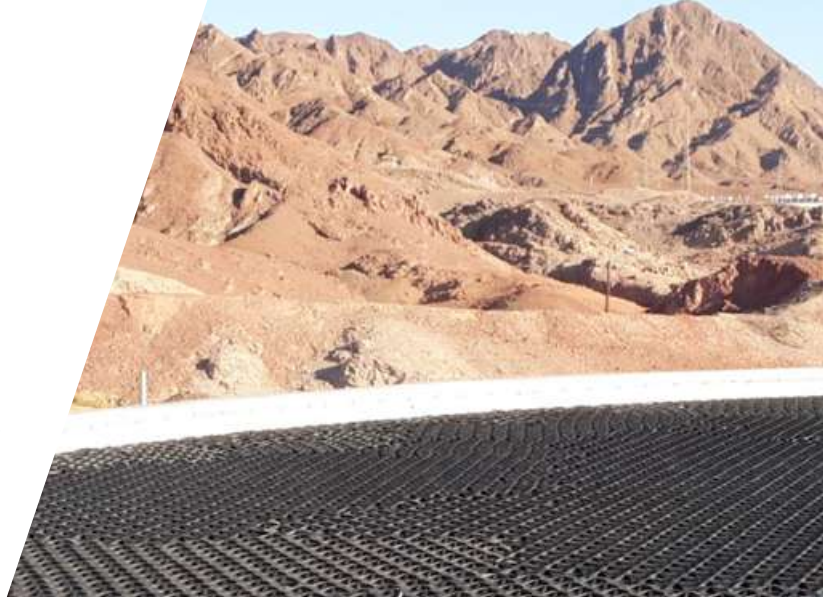
### → Water Tank Illustration





# Hexa-Cover® Inflexible Cover

The unique and patented Hexa-Cover® floating cover is a brilliant solution that is suitable for all water storage applications.



Built to last



Full coverage



No evaporation

## / Benefits & Features

- Surface coverage Up to 99,9% coverage of the surface
- Evaporation Up to 95% reduction of evaporation from water surfaces
- Reduction of emission Up to 95% stable and constant
- Reduction of odors Up to 90% stable and constant
- Reduction in heat loss Noticeable
- Reduction in organic growth Noticeable

## / Specifications & Recommendations

- Evaporation storm resistance
- Ease of installation, no need for any special equipment
- Installation on both full and empty water storage solutions
- Automatic distribution of floating tiles on liquid surface
- Automatic adaption to changes in the level
- Fits to all shapes and geometries

**Material** – The floating cover is manufactured from PP Raw material Polypropylene "R114"

**Diagonal measure** – 228mm

**Weight** – 243g

**Height** – 70mm

**No. per m<sup>2</sup>** – 28

**Big-bags** – 130 x 130 x 250cm: 40m<sup>2</sup>

**Weight per big-bag** – ca 272kg

# Airfloat AA Cover

The Airfloat AA cover is durable and lightweight, and doesn't use the tank structure for support. Due to the open cells, the cover will float by itself and has no need for additional materials. With the integrated installation ropes, installation is really fast and easy. The white topside reflects the sunlight, keeping the water cool and free from algae.



## → Material Properties

Polyethylene Film	Dual - extruded
UV Protection	10 years based on 180kly / year
Color	Light grey and black
Thermal Properties	Up to 85°C no deformation
Cold Track Temperature	-25°C
500 Microns Thickness	<b>Bubble:</b> film 300 micron +/-10% <b>back:</b> film 240 micron +/- 10%
Warranty	10years

## → Geobubble Technology

Bubble Width x Length	15 x 30mm
Bubble Height	5.5mm
No. of Bubble per m <sup>2</sup>	1029



[www.netafim.com](http://www.netafim.com)