

# NR10 Check Valves

Prevents the return flow of water to its source and provides quiet closure and total sealing of the sealing face.



Tight  
closing



Extremely  
durable



Light  
& compact



NR-010 1 1/2", 2"



NR-010 3", 4"



NR-010 6" - 10"

## / Benefits & Features

- Working pressures Up to 10bar, 16bar
- Minimum working pressure 0.2bar
- Max. working temperature 60°C
- Composite materials for body of the valve
- NR-010 1 1/2", 2"
  - Female threaded BSPT or NPT for easy and secure connection to the pipeline
  - Removable cover allows for easy cleaning, maintenance and seal replacement without removing the valve from the pipeline
- NR-010 3" - 10"
  - The valve connects between flanges
  - The valve is supplied together with seals for flanges
  - The spring assembly mechanism is outside of the flow cross-section and can be replaced without removing the valve from the line

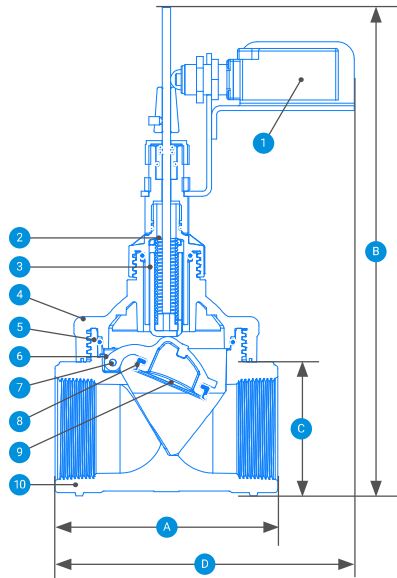
# / Applications

- After pumps/boosters
- Filtration systems
- Fertilizer system

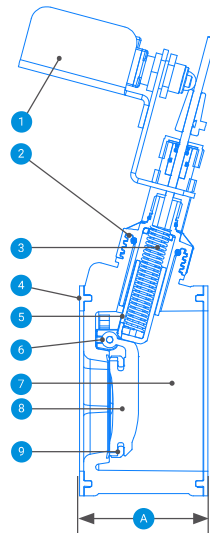
- Greenhouses
- Swimming pools (additional modifications are required for this application)

## → Technical Dimensions & Weights

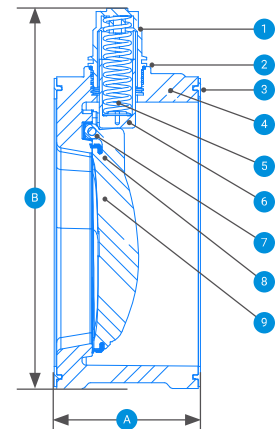
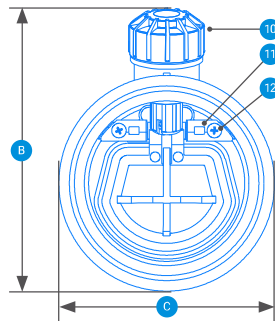
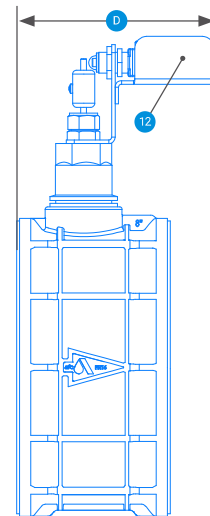
NR-010 1½", 2"



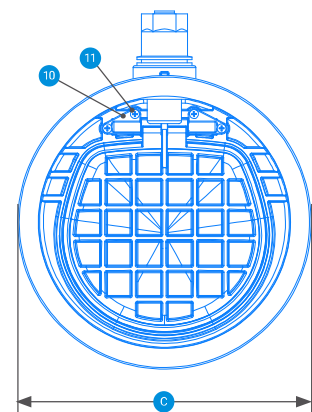
NR-010 3", 4"



NR-010 6" - 10"



Nominal Size	A	B	C	D	Weight (Gr)
NR10 1½"	133	149	65	180	605
NR10 LS 1½"	133	285	65	180	1050
NR10 2"	133	157	80	180	620
NR10 LS 2"	133	291	80	180	1070
NR10 3"	80	172	131	-	571
NR10 LS 3"	80	305	131	-	1070
NR10 4"	91	191	151	-	732
NR10 LS 4"	91	324	151	-	1250
NR10 6"	112	291	220	112	2600
NR10 LS 6"	112	380	220	162	3100
NR10 8"	132	323	259	132	3700
NR10 LS 8"	132	413	259	170	3800
NR10 10"	145	376	310	145	5200
NR10 LS 10"	145	465	310	145	5700



for determining the height of a check valve with a limit switch, add an additional space of 2 - 3 cm.

→ **Parts List**

NR-010 1½", 2"

#	Part Name	Material
1	Limit switch assy.	
2	Spring	Stainless steel 302
3	Spring housing	Acetal
4	Cover	Reinforced nylon
5	O-ring	Buna-n
6	Shaft housing	Acetal
7	Shaft	Stainless steel 316
8	Seal	EPDM
9	Disc	Reinforced nylon
10	Body	Reinforced nylon

NR-010 3", 4"

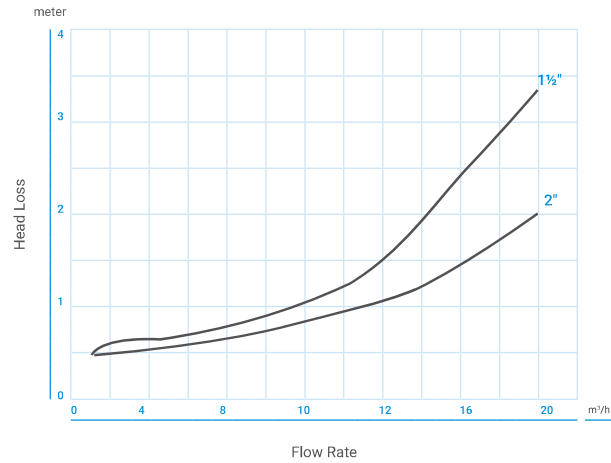
#	Part Name	Material
1	Limit switch assy.	
2	O-ring	Buna-n
3	Spring	Stainless steel 302
4	Flange seals	EPDM
5	Spring housing	Acetal
6	Shaft	Stainless steel 316
7	Body	Reinforced nylon
8	Disc	Reinforced nylon
9	Seal	EPDM
10	Spring cover	Reinforced nylon
11	Shaft housing	Acetal
12	Bolt (x2)	Stainless steel 316

NR-010 6" - 10"

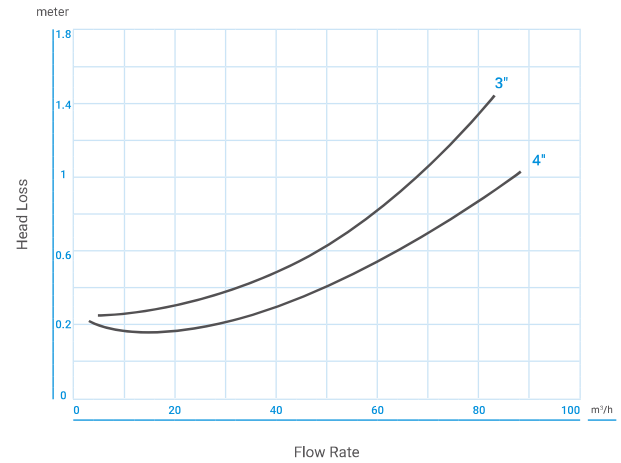
#	Part Name	Material
1	Spring cover	Reinforced nylon
2	O-ring	Buna-n
3	Flange seals	EPDM
4	Body	Reinforced nylon
5	Spring	Stainless steel 302
6	Spring housing	Acetal
7	Shaft	Stainless steel 316
8	Flap seal	EPDM
9	Flap	Reinforced nylon
10	Shaft housing	Acetal
11	Bolt (x2)	Stainless steel 316
12	Limit switch assy.	

→ **Head Loss**

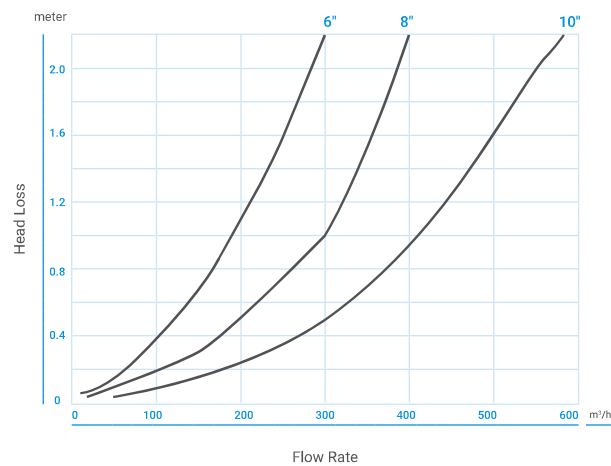
NR-010 1½", 2"



NR-010 3", 4"



NR-010 6" - 10"



→ Catalog Numbers

Diameter	Connection	Description	Catalog Numbers	
1 1/2"	40mm	BSP	CHECK VALVE NR-010 1.5" PN10	70420-000600
		NPT	CHECK VALVE NR-010 1.5" PN10	70420-006000
	40mm (ls)	BSP	CHECK VA NR-010 1.5" W/LS PN10	70420-006010
		NPT	CHECK VAL NR-010 1.5" W/LS PN10	70420-005500
2"	50mm	BSP	CHECK VALVE NR-010 2" PN10 BSP	70420-000700
		NPT	CHECK VALVE NR-010 2" PN10 NPT	70420-006020
	50mm (ls)	BSP	CH. VAL NR-010 2" W/LS PN10 BSP	70420-005550
		NPT	CH. VAL NR-010 2" W/LS PN10 NPT	70420-006030
3"	PN-10 (80mm)		CHECK VALVE NR-010 3" PN10	70420-000800
			CHECK VALVE NR-010 3" W/LS PN10	70420-005600
	PN-16 (80mm)		CHECK VALVE NR-010 3" PN16	70420-006040
			CHECK VALVE NR-010 3" W/LS PN16	70420-006041
4"	PN-10 (100mm)		CHECK VALVE NR-010 4" PN10	70420-001180
			CHECK VALVE NR-010 4" W/LS PN10	70420-005650
	PN-16 (100mm)		CHECK VALVE NR-010 4" PN16	70420-006050
			CHECK VALVE NR-010 4" W/LS PN16	70420-006051
6"	PN-10 (150mm)		CHECK VALVE NR-010 6" PN10	70420-005660
			CHECK VALVE NR-010 6" W/LS PN10	70420-006070
	PN-16 (150mm)		CHECK VALVE NR-010 6" PN16	70420-006081
			CHECK VALVE NR-010 6" W/LS PN16	70420-006083
			CHECK VALVE NR-010 6" W/STEM PN16	70420-006082
8"	PN-10 (200mm)		CHECK VALVE NR-010 8" PN10	70420-005670
			CHECK VALVE NR-010 8" W/LS PN10	70420-006100
			CHECK VALVE NR-010 8" W/STEM PN10	70420-006090
	PN-16 (200mm)		CHECK VALVE NR-010 8" PN16	70420-006101
			CHECK VALVE NR-010 8" W/LS PN16	70420-006103
			CHECK VALVE NR-010 8" W/STEM PN16	70420-006102
10"	PN-10 (250mm)		CHECK VALVE NR-010 10" PN10	70420-006110
			CHECK VALVE NR-010 10" W/LS PN10	70420-006130
			CHECK VALVE NR-010 10" W/STEM PN10	70420-006120

\* W/LS = With Limit Switch