

ARAD™

Irrigation Type

Specially designed irrigation meters, with free water passage that allows the measurement of water with high content of impurities.



Reliable



Durable



Robust

Benefits & Features

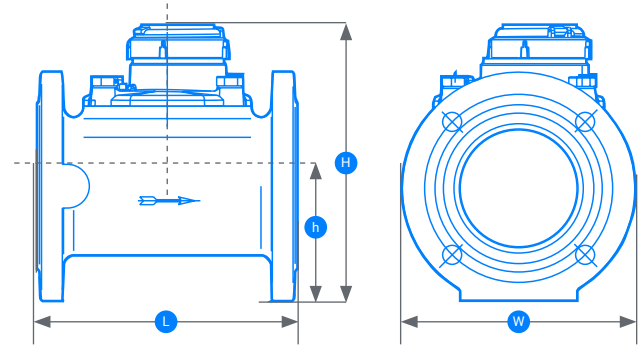
- ✓ Negligible head loss due to a full passage throughout the meter
- ✓ Continues flush of the bearings eliminates deposit of solids
- ✓ Simple maintenance & replacement of the measuring unit

Specifications & Recommendations

- **Maximum Working Pressure:** 16 bar
- **Maximum Working Temperature:** 60°C
- The meter can be installed in any position (horizontal, vertical or inclined)
- The meter must be always full of water while operating
- Prior to the installation of a new meter, the pipeline must be flushed out
- Straight pipe section of the same diameter D as the meter, having length of 10D and 5D shall be installed upstream and downstream of the meter respectively

→ TECHNICAL DIMENSIONS

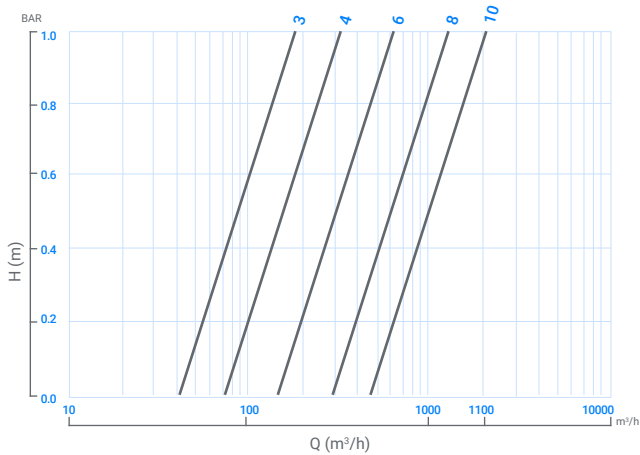
DIAMETER	MM	80	100	150	200	250
	INCH	3	4	6	8	10
L - LENGTH (MM WITHOUT COUPLINGS)		230	250	300	350	400
W - WIDTH (MM)		240	260	310	315	438
H - HEIGHT (MM)		90	110	129	160	258
h - HEIGHT (MM)		16.5	19	32	45	55.5
WEIGHT (KG)		15.5	19	35	47	75



→ PERFORMANCE DATA

DIAMETER		Q1 MINIMUM FLOWRATE (M ³ /H)	Q2 TRANSITIONAL FLOWRATE (M ³ /H)	Q3 NOMINAL FLOWRATE (M ³ /H)	Q4 MAXIMUM FLOWRATE (M ³ /H)	SMALLEST READABLE UNIT (LITER)	MAXIMUM REGISTER CAPACITY (M ³ /H)	ACCURACY BETWEEN Q4 & Q2	ACCURACY BETWEEN Q2 & Q1
MM	INCH								
80	3	5	10	90	150	10	10 ⁷	±2%	±5%
100	4	7	11	125	250				
150	6	10	15	250	500				
200	8	18	30	450	900				
250	10	20	70	750	1400	100	10 ⁸		

→ HEAD LOSS



→ CATALOG NUMBERS

DIAMETER	FLANGE TYPE	PULSE RES.	CATALOG NUMBER
3"	ISO	NONE	70240-005950
		100L	70240-006010
	BSTD	NONE	70240-005980
		100L	70240-006000
	ANSI	NONE	70261-007500
		100L	70261-007550
4"	ISO	NONE	70240-006060
		100L	70240-006090
	BSTD	NONE	70240-006070
		100L	70240-006080
	ANSI	NONE	70261-007800
		100L	70261-007850

DIAMETER	FLANGE TYPE	PULSE RES.	CATALOG NUMBER
6"	ISO	NONE	70240-006150
		100L	70240-006159
	BSTD	NONE	70240-006160
		100L	70240-006180
8"	ISO	NONE	70240-006250
		1M3	70240-006277
	BSTD	NONE	70240-006260
		1M3	70240-006300
	ANSI	NONE	70261-008200
		1M3	70261-008300
10"	ISO	NONE	70240-006358
		1M3	70240-006390
	BSTD	NONE	70240-006360
		1M3	70240-006380
	ANSI	NONE	70261-008500
		1M3	70261-008550